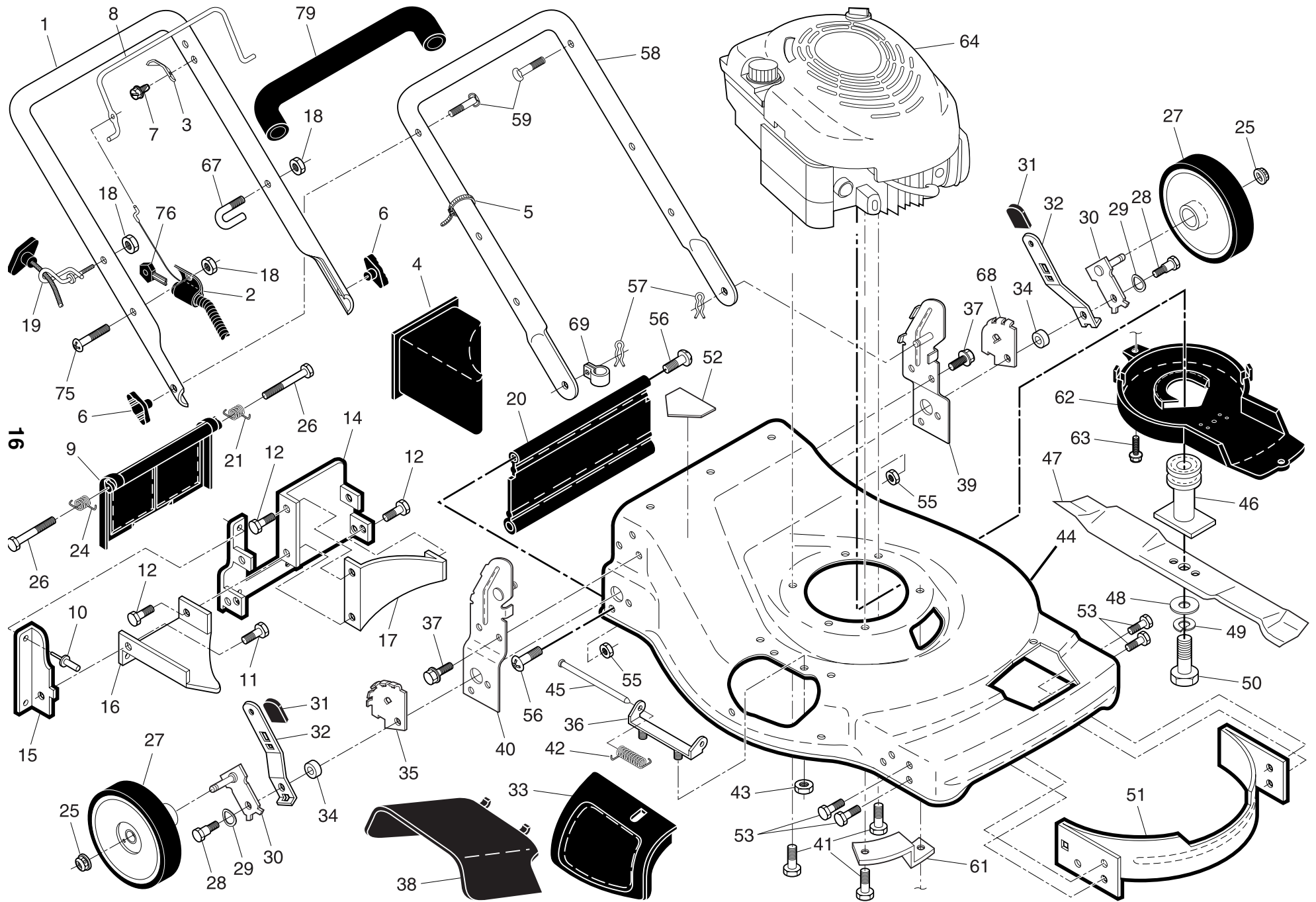


ROTARY LAWN MOWER - - MODEL NUMBER 65022ES (96143002301) - PRODUCT NUMBER 961 43 00-23



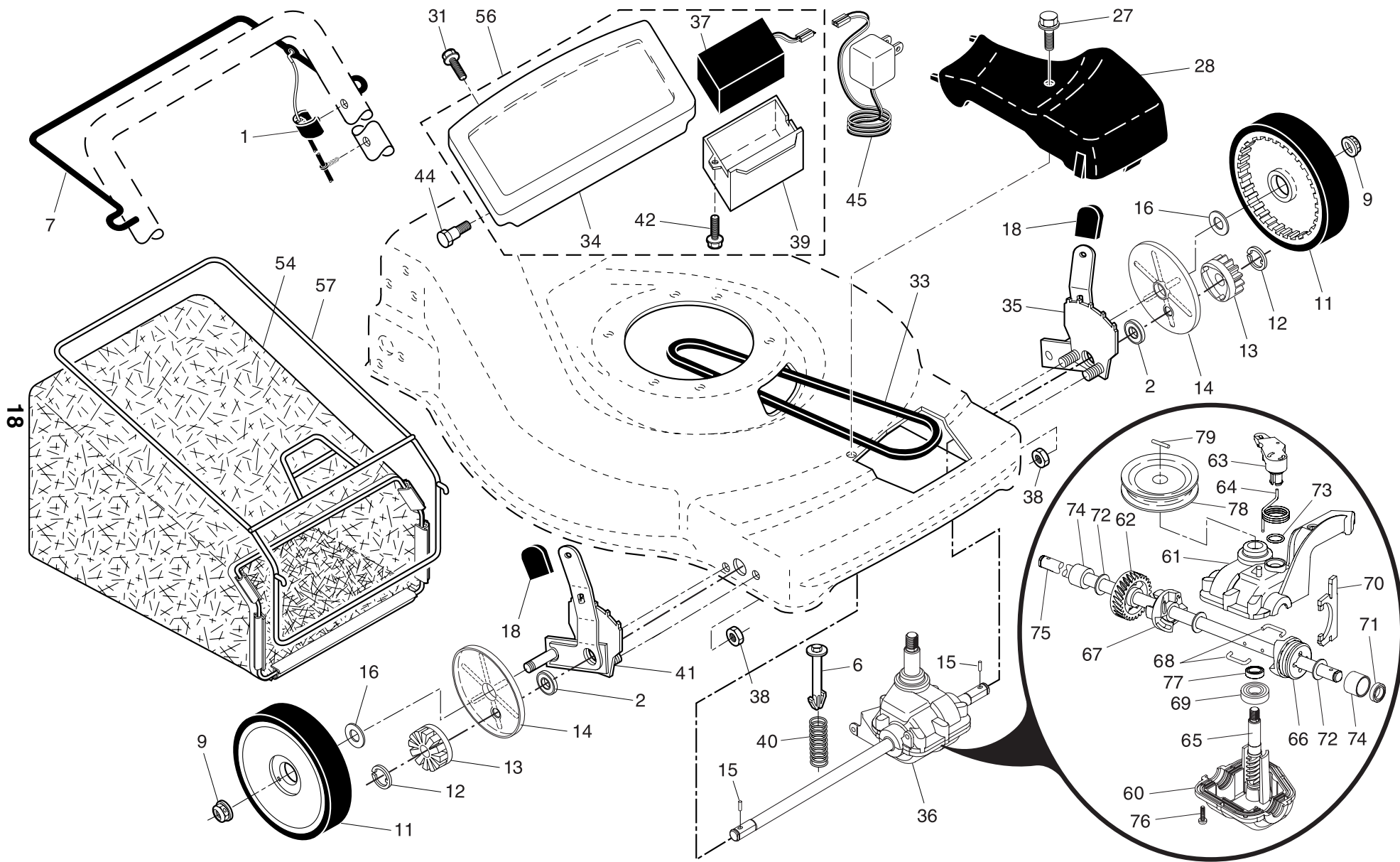
ROTARY LAWN MOWER - - MODEL NUMBER **65022ES** (96143002301) - PRODUCT NUMBER 961 43 00-23

| KEY NO. | PART NO. | DESCRIPTION | KEY NO. | PART NO. | DESCRIPTION |
|---------|--------------|---|---------|---------------------|--|
| 1 | 532 19 99-83 | Upper Handle (Includes Foam Grip) | 38 | 532 40 38-19 | Discharge Deflector |
| 2 | 532 18 96-86 | Key Start Switch (Includes Key) | 39 | 532 19 70-28 | Handle Bracket Assembly, LH |
| 3 | 532 12 51-62 | Bracket, Upstop | 40 | 532 19 70-27 | Handle Bracket Assembly, RH |
| 4 | 532 16 66-49 | Mulcher Plug | 41 | 532 15 04-06 | Screw, Hex Head, Threaded, Rolled 3/8-16 x 1-1/8 |
| 5 | 532 06 64-26 | Wire Tie | 42 | 532 19 30-00 | Spring, Torsion |
| 6 | 532 19 18-56 | Handle Knob | 43 | 873 80 04-00 | Nut, Hex, Nylock |
| 7 | 532 75 06-34 | Screw | 44 | 532 40 23-02 | Kit, Lawn Mower Housing (Includes Key Numbers 14, 15 and 51) |
| 8 | 532 41 31-85 | Control Bar | 45 | 532 17 56-50 | Rod, Hinge |
| 9 | 532 40 84-92 | Rear Door Assembly | 46 | 532 18 91-79 | Blade Adapter / Pulley |
| 10 | 532 12 84-15 | Pop Rivet | 47 | 532 40 67-13 | Blade, 22" |
| 11 | 532 15 00-50 | Screw, Self-Tapping #10-24 x 5/8 | 48 | 532 85 10-74 | Washer, Hardened |
| 12 | 532 05 45-83 | Screw, Hex Hex Head, Sems 1/4-20 x 1/2 | 49 | 532 85 02-63 | Washer, Helical |
| 14 | 532 19 70-76 | Back Plate | 50 | 532 85 10-84 | Screw, Machine, Hex Head 3/8-24 x 1-3/8 Grade 8 |
| 15 | 532 41 13-34 | Side Baffle | 51 | 532 17 00-13 | Front Baffle |
| 16 | 532 17 71-33 | Discharge Baffle | 52 | 532 40 47-63 | Danger Decal |
| 17 | 532 14 89-41 | Rear Baffle | 53 | 817 60 04-06 | Screw |
| 18 | 532 13 20-04 | Keps Locknut 1/4-20 | 55 | 873 93 06-00 | Nut, Hex |
| 19 | 532 19 47-88 | Rope Guide | 56 | 532 08 86-52 | Screw, Hinge 1/4-20 x 1-1/4 |
| 20 | 532 18 90-08 | Rear Skirt | 57 | 532 05 17-93 | Hairpin Cotter |
| 21 | 532 40 54-21 | Spring, Rear Door, LH | 58 | 532 40 34-33 | Lower Handle |
| 24 | 532 40 54-23 | Spring, Rear Door, RH | 59 | 532 19 15-74 | Handle Bolt |
| 25 | 532 40 91-48 | Nut, Hex, Flanged | 61 | 532 19 09-39 | Bracket Debris Shield |
| 26 | 532 18 41-93 | Bolt, Rear Door | 62 | 532 40 58-43 | Debris Shield |
| 27 | 532 41 31-83 | Wheel & Tire Assembly, Rear | 63 | 532 19 23-25 | Screw, Debris Shield |
| 28 | 532 14 27-48 | Bolt, Shoulder 3/8-16 x 1 | 64 | - - - | Engine, Briggs & Stratton, Model Number 124T05 (Order parts from Engine manufacturer) |
| 29 | 532 40 16-30 | Washer, Belleville | 67 | 532 40 16-07 | Clip, Packaging |
| 30 | 532 40 78-71 | Axle Arm Assembly | 68 | 532 41 06-23 | Wheel Adjusting Bracket, LH |
| 31 | 532 19 64-01 | Selector Knob | 69 | 532 19 79-91 | Clip, Cable |
| 32 | 532 40 64-28 | Selector Spring | 75 | 532 18 61-59 | Screw |
| 33 | 532 19 70-29 | Mulcher Door | 76 | 532 18 03-31 | Key |
| 34 | 532 40 16-29 | Spacer | 79 | 532 18 63-62 | Foam Grip |
| 35 | 532 41 06-24 | Wheel Adjusting Bracket, RH | -- | 532 40 47-64 | Warning Decal (not shown) |
| 36 | 532 17 57-35 | Hinge Bracket Assembly | -- | 532 41 36-92 | Owner's Manual, English / French |
| 37 | 532 15 00-78 | Screw, Sems, Thread Cutting 5/16-18 x 3/4 | | | |

NOTE: All component dimensions given in U.S. inches. 1 inch = 25.4 mm

IMPORTANT: Use only Original Equipment Manufacturer (O.E.M.) replacement parts. Failure to do so could be hazardous, damage your lawn mower and void your warranty.

ROTARY LAWN MOWER - - MODEL NUMBER 65022ES (96143002301) - PRODUCT NUMBER 961 43 00-23



ROTARY LAWN MOWER - - MODEL NUMBER **65022ES** (96143002301) - PRODUCT NUMBER 961 43 00-23

| KEY NO. | PART NO. | DESCRIPTION | KEY NO. | PART NO. | DESCRIPTION |
|---------|---------------------|--|---------|---------------------|---|
| 1 | 532 19 46-53 | Drive Control Cable | 44 | 532 17 55-51 | Screw, Shoulder, Hex Head #10-28 x 5/8 |
| 6 | 532 15 04-95 | Retainer, Spring | 45 | 532 19 00-97 | Charger, Battery |
| 7 | 532 19 90-93 | Bar, Drive Control | 54 | 532 41 06-83 | Grassbag Assembly |
| 9 | 532 40 91-48 | Locknut, Hex | 56 | 532 19 12-52 | Trimplate, Battery & Battery Box Assembly |
| 11 | 532 41 10-81 | Wheel & Tire Assembly | 57 | 532 40 74-54 | Frame, Grassbag |
| 12 | 812 00 00-58 | E-Ring | 60 | 532 18 34-97 * | Case, Lower |
| 13 | 532 40 38-49 | Gear, Pinion | 61 | 532 18 34-98 * | Case, Upper |
| 14 | 532 18 94-03 | Dust Cover | 62 | 532 18 34-99 | Gear, 27 Teeth |
| 15 | 532 19 10-17 | Pawl, Drive | 63 | 532 18 35-00 | Lever, Clutch |
| 16 | 532 06 77-25 | Washer, Flat 3/8 | 64 | 532 18 35-01 | Spring, Return |
| 17 | 532 40 48-31 | Bearing, Wheel Adjuster | 65 | 532 18 35-02 | Shaft, Input |
| 18 | 532 19 64-01 | Selector Knob | 66 | 532 18 35-03 | Dog, Movable |
| 27 | 532 17 52-62 | Pan Head Tapping Screw #10-24 x 2-3/4 | 67 | 532 18 35-04 | Dog, Fixed |
| 28 | 532 40 33-42 | Drive Cover | 68 | 532 18 35-05 | Wire, Formed |
| 31 | 532 14 18-41 | Screw, Torx Pan Head #20 | 69 | 532 18 35-06 | Bearing, Ball |
| 33 | 532 14 65-27 | V-Belt | 70 | 532 18 35-07 | Fork, Shift |
| 34 | 532 41 11-90 | Trimplate | 71 | 532 18 35-08 | Seal, Output Shaft |
| 35 | 532 40 88-62 | Kit, Wheel Adjuster, LH (Includes Knob and Bearing) | 72 | 532 18 35-09 | Washer |
| 36 | 532 19 92-06 | Gear Case Assembly, Complete | 73 | 532 18 35-10 | Seal, Case |
| 37 | 532 18 95-89 | Battery | 74 | 532 18 35-11 | Bushing |
| 38 | 873 80 04-00 | Locknut, Hex 1/4-20 | 75 | 532 19 65-61 | Shaft, Output |
| 39 | 532 18 62-37 | Box, Battery | 76 | 532 18 35-13 | Screw |
| 40 | 532 13 70-90 | Spring | 77 | 532 18 35-14 | Seal, Input Shaft |
| 41 | 532 40 88-61 | Kit, Wheel Adjuster, RH (Includes Knob and Bearing) | 78 | 532 19 98-52 | Pulley, Drive |
| 42 | 817 41 13-08 | Screw, Hex Head #13 x 1/2 | 79 | 532 19 94-19 | Pin, Retainer |

* Use Dow Corning #709 to reseal Gear Case Halves.

NOTE: All component dimensions given in U.S. inches. 1 inch = 25.4 mm

IMPORTANT: Use only Original Equipment Manufacturer (O.E.M.) replacement parts. Failure to do so could be hazardous, damage your lawn mower and void your warranty.