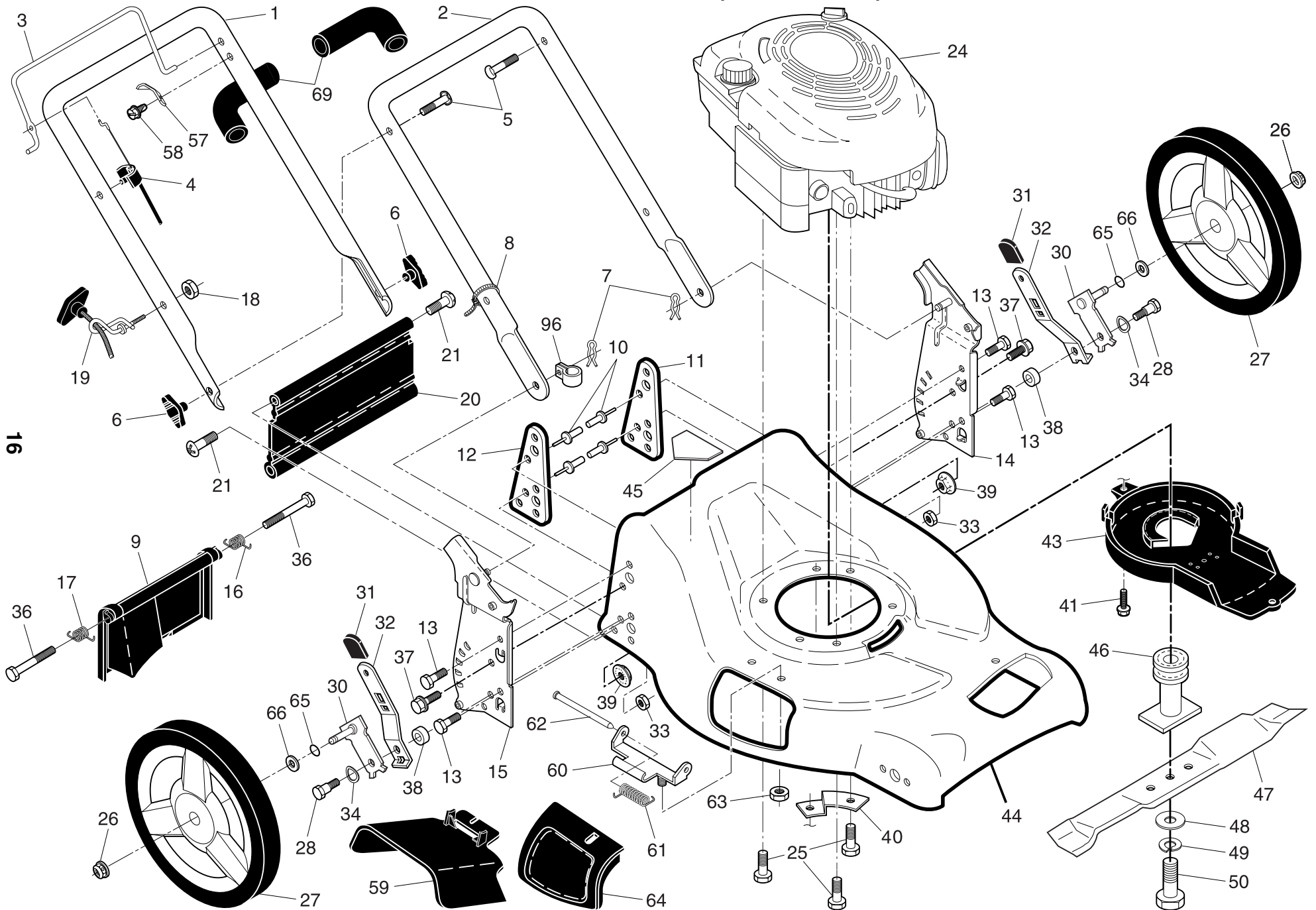


# ROTARY LAWN MOWER - - MODEL NUMBER 65021CHV (96143001902) - PRODUCT NUMBER 961 43 00-19



# ROTARY LAWN MOWER - - MODEL NUMBER **65021CHV** (96143001902) - PRODUCT NUMBER 961 43 00-19

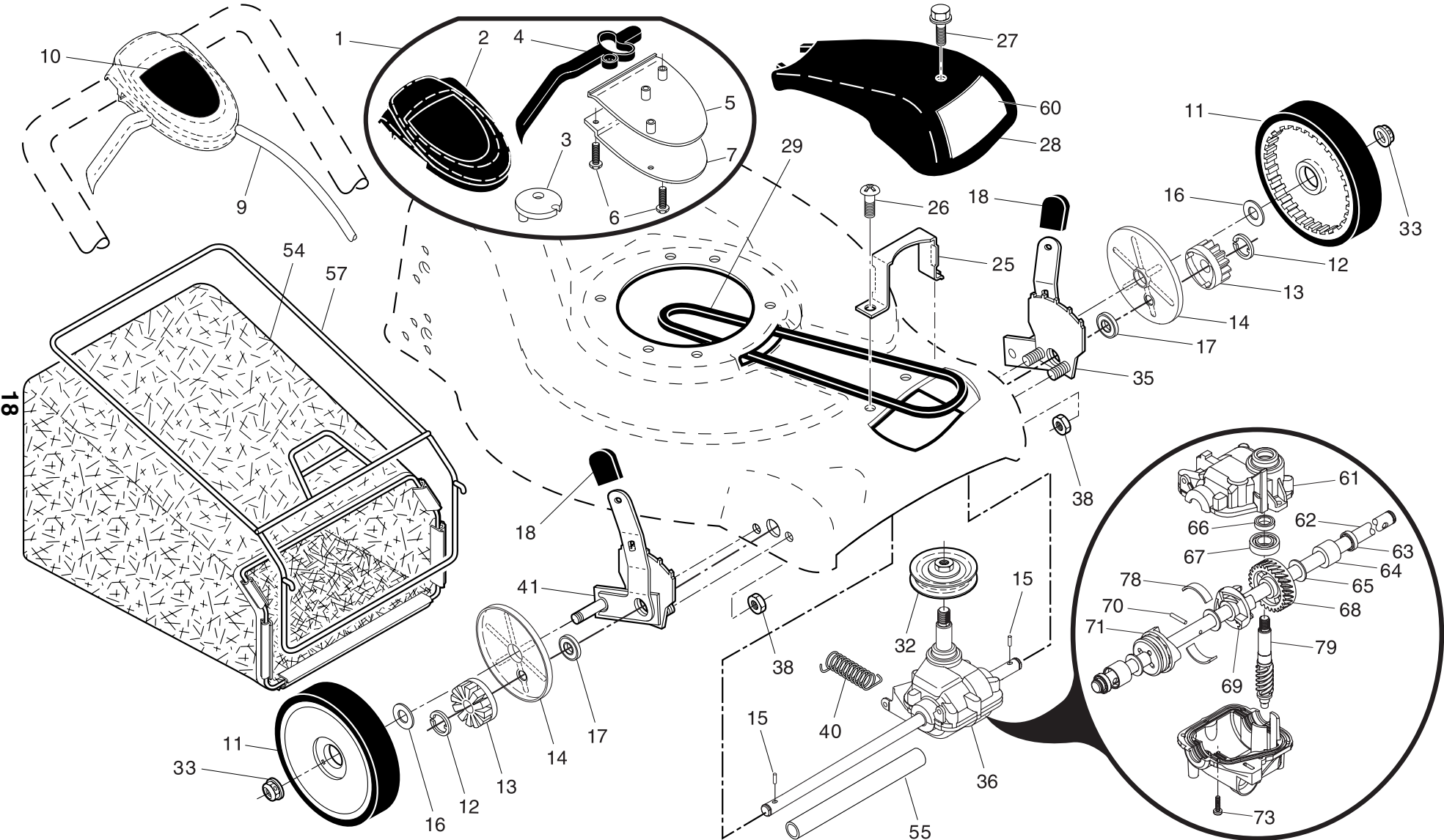
17

KEY NO.	PART NO.	DESCRIPTION	KEY NO.	PART NO.	DESCRIPTION
1	532 19 64-03	Upper Handle, with Foam Grip	33	873 80 05-00	Nut, Hex 5/16-18
2	532 15 34-18	Lower Handle	34	<b>532 40 16-30</b>	Washer, Curved, Cylindrical
3	532 19 70-19	Control Bar	36	532 18 41-93	Bolt
4	532 18 35-67	Engine Zone Control Cable	37	874 78 05-12	Thread Cutting Screw w/Sems 5/16-18 x 3/4
5	532 19 15-74	Handle Bolt	38	<b>532 40 16-29</b>	Spacer
6	532 19 18-56	Handle Knob	39	532 19 85-41	Nut, Hex
7	532 05 17-93	Hairpin Cotter	40	532 19 09-39	Mounting Bracket, Debris Shield
8	532 06 64-26	Wire Tie	41	532 19 23-25	Screw
9	532 40 69-85	Rear Door Assembly	43	532 40 58-44	Debris Shield
10	532 12 84-15	Pop Rivet	44	532 40 89-89	Kit, Lawn Mower Housing (Includes Key Numbers 10, 11, 12 and 45)
11	532 41 05-40	Support Bracket, LH	45	532 40 47-63	Danger Decal
12	532 41 05-42	Support Bracket, RH	46	532 19 40-37	Blade Adapter / Pulley
13	817 06 04-10	Screw 1/4-20 x 5/8	47	532 40 67-12	Blade, 21"
14	532 19 60-37	Handle Bracket Assembly, LH	48	532 85 10-74	Hardened Washer
15	532 19 60-36	Handle Bracket Assembly, RH	49	532 85 02-63	Helical Washer 3/8-24 x 1-3/8 Grade 8
16	532 40 54-17	Spring, Rear Door, LH	50	532 85 10-84	Hex Head Machine Screw 3/8-24 x 1-3/8 Grade 8
17	532 40 54-18	Spring, Rear Door, RH	57	532 12 51-62	Upstop Bracket
18	532 13 20-04	Keps Locknut 1/4-20	58	532 75 06-34	Screw
19	532 19 47-88	Rope Guide	59	532 18 55-82	Discharge Deflector
20	532 18 90-05	Rear Skirt	60	532 17 57-35	Hinge Bracket
21	532 08 86-52	Screw, Hinge 1/4-20 x 1/2	61	532 19 30-00	Spring
24	- - -	Engine, Briggs & Stratton, Model Number 124T02 (For engine service and replacement parts, call Briggs & Stratton at 1-800-233-3723)	62	532 17 56-50	Hinge Rod
25	532 15 04-06	Hex Head Thread Rolling Screw 3/8-16 x 1-1/8	63	873 80 04-00	Nut, Hex
26	532 14 52-12	Hex Flange Nut	64	532 18 55-76	Mulcher Door
27	532 41 08-15	Wheel & Tire Assembly, Rear, 12"	65	532 19 74-80	O-Ring
28	<b>532 40 16-38</b>	Shoulder Bolt 5/16-18 x .33	66	532 08 83-48	Washer, Flat 1/2
30	<b>532 41 31-41</b>	Axle Arm Assembly, Rear	69	532 18 27-48	Grip, Foam
31	532 70 10-37	Selector Knob	96	532 19 79-91	Clip, Cable
32	<b>532 40 98-89</b>	Selector Spring	--	532 40 47-64	Decal, Warning (not shown)
			--	<b>532 41 33-33</b>	Owner's Manual, English / French

**NOTE:** All component dimensions given in U.S. inches. 1 inch = 25.4 mm

**IMPORTANT:** Use only Original Equipment Manufacturer (O.E.M.) replacement parts. Failure to do so could be hazardous, damage your lawn mower and void your warranty.

**ROTARY LAWN MOWER - - MODEL NUMBER 65021CHV (96143001902) - PRODUCT NUMBER 961 43 00-19**



# ROTARY LAWN MOWER - - MODEL NUMBER **65021CHV** (96143001902) - PRODUCT NUMBER 961 43 00-19

KEY NO.	PART NO.	DESCRIPTION	KEY NO.	PART NO.	DESCRIPTION
1	532 40 73-16	Drive Control Assembly	35	<b>532 40 88-62</b>	Kit, Wheel Adjuster, LH (Includes Knob and Bearing)
2	532 41 16-73	Cover, Drive Control, Upper	36	532 40 48-33	Gearcase Assembly, Complete
3	532 40 62-82	Pulley	38	873 80 04-00	Locknut, Hex 1/4-20
4	532 19 00-39	Lever, Drive Control	40	532 40 65-58	Spring
5	532 41 16-64	Cover, Drive Control, Lower	41	<b>532 40 88-61</b>	Kit, Wheel Adjuster, RH (Includes Knob and Bearing)
6	532 18 16-98	Screw	54	532 40 11-90	Grassbag Assembly
7	532 40 07-23	Mounting Bracket, Drive Control	55	532 17 57-39	Driveshaft Cover
9	532 40 62-59	Cable, Drive	57	532 40 18-02	Frame, Grassbag
10	532 18 93-78	Decal, Drive Control	60	532 19 35-57	Decal, Drive Cover
11	532 41 10-81	Wheel & Tire Assembly	61	532 41 07-26	Case, Upper
12	812 00 00-58	E-Ring	62	532 41 09-49	Shaft, Output
13	532 40 38-49	Pinion	63	532 18 35-08	Seal, Output Shaft
14	532 18 94-03	Dust Cover	64	532 18 35-11	Bushing
15	532 19 10-17	Pawl, Drive	65	532 18 35-09	Washer
16	532 06 77-25	Washer 1/2 x 1-1/2 x .134	66	532 18 35-14	Seal, Worm Shaft
17	532 40 48-31	Bearing, Wheel Adjuster	67	532 18 35-06	Bearing, Ball
18	532 70 10-37	Selector Knob	68	532 41 07-29	Gear, 28 Teeth
25	532 41 16-63	Belt Keeper	69	532 41 07-32	Fixed Dog Clutch
26	532 16 34-09	Screw	70	532 41 07-33	Pin
27	532 17 52-62	Screw, Pan Head, Self-Tapping #10-24 x 2-3/4	71	532 41 07-30	Movable Dog Clutch
28	532 18 57-15	Drive Cover	73	532 18 35-13	Screw, Case
29	532 1941-49	V-Belt	74	532 41 07-34	Case, Lower
32	532 19 40-18	Drive Pulley	78	532 41 07-31	Spring, Leaf
33	532 08 39-23	Locknut, Hex	79	532 41 07-27	Shaft, Worm

**NOTE:** All component dimensions given in U.S. inches. 1 inch = 25.4 mm

**IMPORTANT:** Use only Original Equipment Manufacturer (O.E.M.) replacement parts. Failure to do so could be hazardous, damage your lawn mower and void your warranty.