



SERVICE PARTS LIST

BULLETIN NO.
54-40-1122

SPECIFY CATALOG NO. AND SERIAL NO. WHEN ORDERING PARTS		REVISED BULLETIN	DATE
10-1/4" CIRCULAR SAW		54-40-1121	July '89
CATALOG NO. 6460	STARTING SERIAL NO. 607-13143	WIRING INSTRUCTION 58-01-0750	

EXAMPLE:
Component Parts
(Small #)
Are Included When
Ordering
The Assembly
(Large #).

00 0

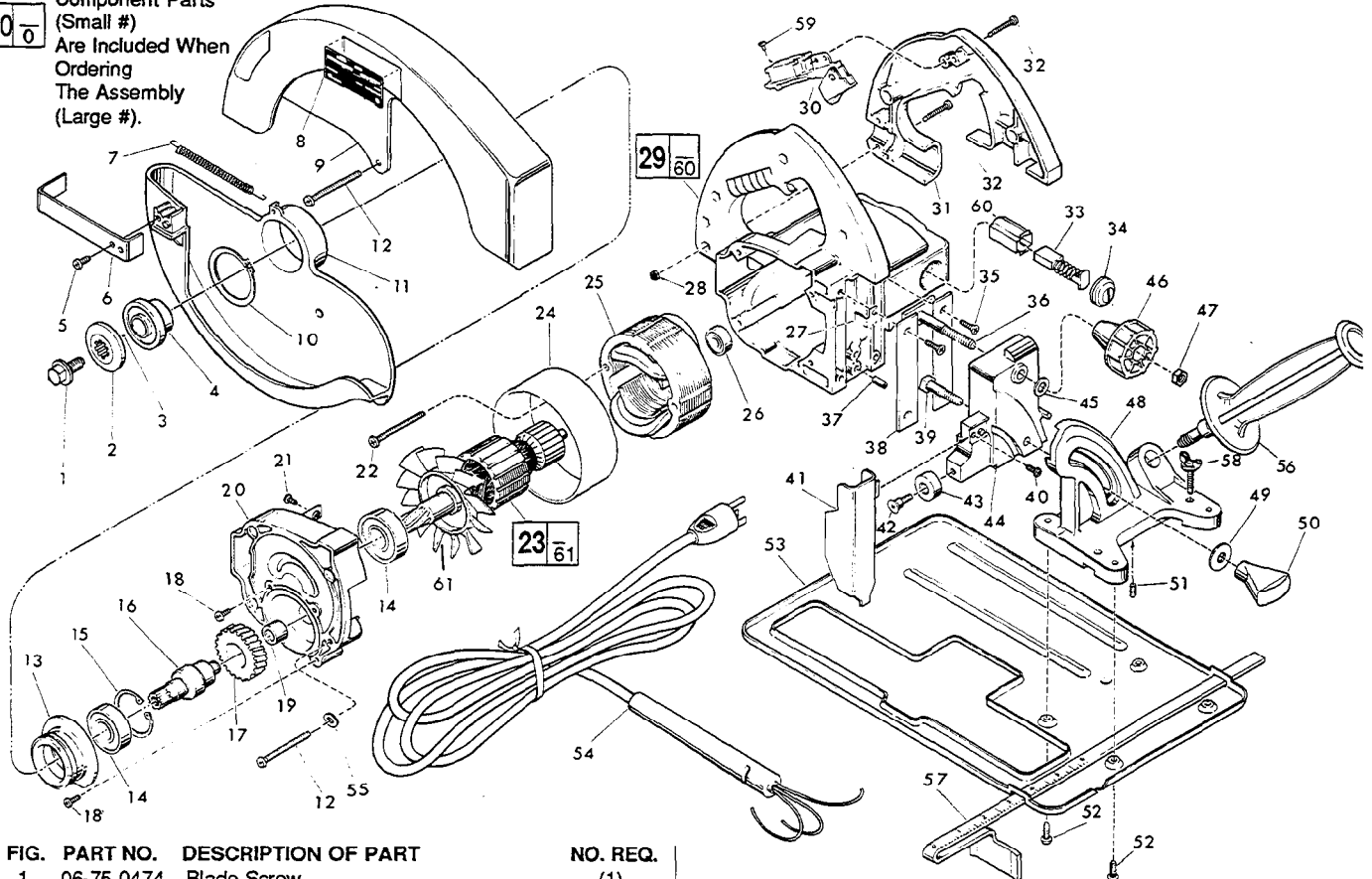


FIG.	PART NO.	DESCRIPTION OF PART	NO. REQ.
	1	06-75-0474 Blade Screw	(1)
	2	45-88-7420 Spindle Blade Retaining Washer	(1)
	3	10-1/4" Blade (Select From Catalog)	(1)
	4	43-34-0260 Spindle Flange	(1)
★	5	06-82-7252 8-32 x 3/8" Pan Hd. Slit. Plastite Torx Screw	(1)
	6	43-62-0705 Lower Guard Handle	(1)
	7	40-50-7750 Lower Guard Spring	(1)
	8	12-99-0340 Nameplate Blank	(1)
	9	28-41-0672 Upper Guard	(1)
	10	34-60-2210 Retaining Ring - External	(1)
	11	28-41-0666 Lower Guard	(1)
★	12	06-82-7382 8-16 x 1-5/8" Pan Hd. Plastite Torx Screw	(4)
	13	43-78-0280 Lower Guard Hub	(1)
	14	02-04-1748 Ball Bearing	(2)
	15	34-80-2960 Retaining Ring - Internal	(1)
	16	38-50-5175 Gear Spindle	(1)
	17	32-75-2790 Spindle Gear	(1)
★	18	06-82-7252 8-32 x 3/8" Pan Hd. Slit. Plastite Torx Screw	(4)
	19	02-50-2423 Needle Bearing	(1)
	20	14-30-0290 Gear Case Assembly	(1)
	21	06-81-8920 Ground Screw	(1)
★	22	06-95-0385 10-24 x 2-1/4" Thread Form Screw	(2)
★	23	16-70-0131 120 V. Armature	(1)
	24	23-16-0691 Field Insulating Sleeve	(1)
★	25	18-70-0095 120 V. Field	(1)
	26	02-04-0850 Ball Bearing	(1)
	27	42-70-0200 Ground Clip	(1)
	28	06-55-0835 8-32 Hex Nut	(5)
	29	31-50-0150 Motor Housing Assembly	(1)
★	30	23-66-1810 Switch	(1)
	31	31-44-0480 L.H. Handle	(1)
	32	06-82-2362 8-32 x 1" Pan Hd. Torx Screw	(5)
★	33	22-18-0147 Carbon Brush Assembly	(2)
	34	23-44-0160 Brush Retaining Screw	(2)
	35	06-95-3240 8-32 x 3/4" Fl. Hd. Screw	(4)
	36	45-58-0260 Vertical Adjusting Stud	(1)
	37	06-65-1580 3/16 x 1/2" Lg. Roll Pin	(1)

FIG.	PART NO.	DESCRIPTION OF PART	NO. REQ.
	38	44-66-5320 Vertical Bracket Plate	(2)
	39	45-58-0270 Angular Adjusting Stud	(1)
★	40	06-82-7252 8-32 x 3/8" Pan Hd. Slit. Plastite Torx Screw	(1)
	41	43-54-0360 Front Blade Guard Assembly	(1)
	42	45-04-0485 Guard Bumper Screw	(1)
	43	42-38-0075 Rubber Bumper	(1)
	44	28-10-0650 Vertical Adjusting Bracket	(1)
	45	45-88-0660 Angular Adjusting Washer	(1)
	46	43-98-0190 Vertical Adjusting Knob	(1)
	47	06-55-1985 5/16-18 Hex Nut	(1)
	48	28-10-0640 Angular Adjusting Bracket	(1)
	49	45-88-0650 Angular Adjusting Washer	(1)
	50	43-98-0240 Adjusting Knob	(1)
	51	06-83-0801 8-32 x 3/8" Hdls. Set Screw	(1)
	52	06-95-0212 8-32 x 1/2" Pan Hd. Phil. Dr. Screw	(4)
	53	45-16-0385 Saw Shoe	(1)
★	54	22-64-0076 Cord Set	(1)
	55	45-88-0570 Washer	(1)
★	56	43-62-0885 Side Handle	(1)
	57	49-02-0080 Rip Fence	(1)
★	58	06-88-0110 1/4-20 x 3/4" Wing Screw	(2)
★	59	05-78-0305 Switch Screw	(4)
	60	22-20-0350 Brush Insert	(2)
	61	22-84-0655 Fan Assembly	(1)
		49-96-6200 9/16" Wrench	(1)
★		10-98-6131 Warning Label	(1)

FIG. LUBRICATION

20 1/2 Oz. Type "E" Grease, No. 49-08-4121.

FIG. NOTES

51 Apply "Blue" Loctite, Type 242.

MILWAUKEE ELECTRIC TOOL CORPORATION
13135 W. LISBON RD., BROOKFIELD, WI 53005