

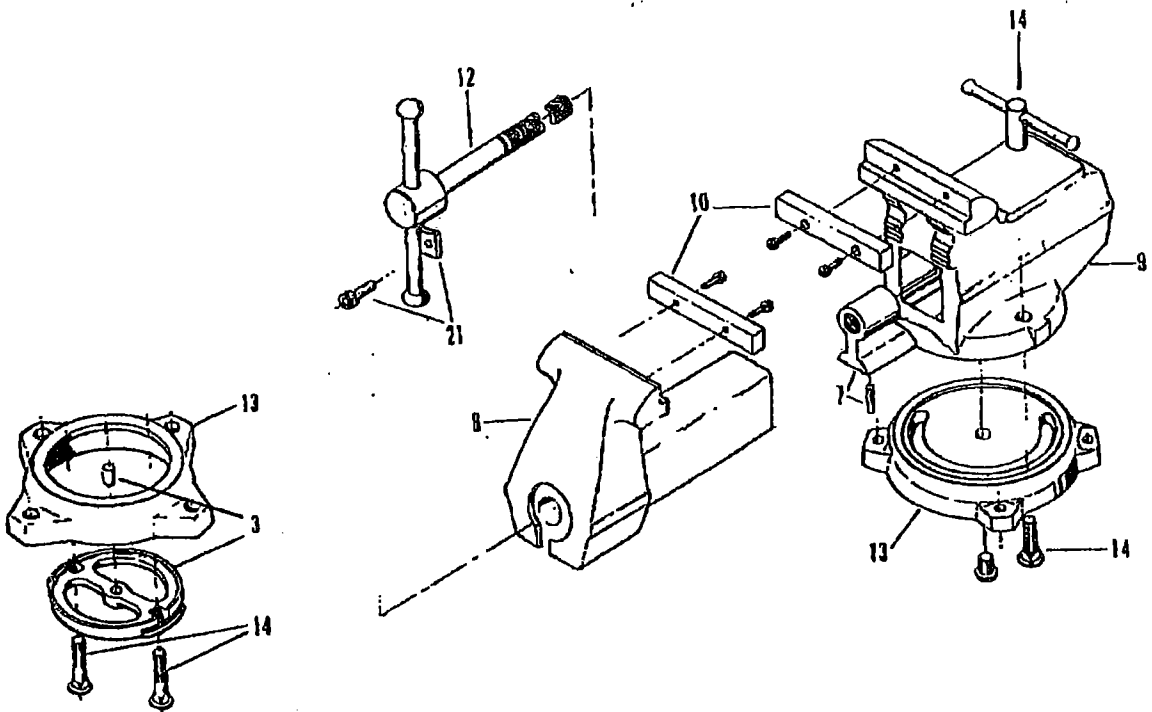
UTILITY VISE Replacement Parts

- HOW TO ORDER:**
1. Check Model Number of Vise
(Check Casting Number of Movable Jaw to Determine Old or New Style)
 2. Include 7-Digit Part Number You Desire
 3. Include Quantity Desired

Example

QUANTITY	1
PART NO.	2907040
DESCRIPTION	Spindle
MODEL	645
CASTING NUMBER	111218

NA = no longer available



Wilton Model Number	Movable Jaw Casting Number (for reference only)	Item 3 Inner Ring Only	Item 7 Nut	Item 8 & 9 Matched Movable and Stationary Jaw Assembly Complete	Item 10 Jaw Inserts	Item 12 Spindle Assembly Complete	Item 13 Outer Ring Only	Item 14 Lock Nut Assembly Complete	Item 19 Swivel Base Assembly Complete	Item 21 Spindle Stop	Locking Pad
633 1/2	1211005	none	none	N.A.	2900650	N.A.	N.A.	2905980	N.A.	none	none
635	121025	none	none	N.A.	N.A.	N.A.	none	2905980	N.A.	none	none
643 1/2	111098	none	1111000	N.A.	2900650	N.A.	2907350	2905980	N.A.	2907230	none
	111111	none	1111000	N.A.	2900650	2906000	2907350	2905980	2906010	2907230	none
644	111107	none	1111050	N.A.	2904040	N.A.	2908030	2905800	2905830	2907230	none
	111133	none	1112090	N.A.	2904040	N.A.	2906030	2905800	2908830	2907230	none
	111217	none	1112090	2906710	2904040	2907030	2906030	2905800	2905830	2907230	none
645	111102	none	1112050	N.A.	2904110	N.A.	2906030	2905800	2905830	2907230	none
	111137	none	1112050	N.A.	2904110	N.A.	2906030	2905800	2905830	2907230	none
	111218	none	1111050	2906720	2904110	2907040	2906030	2905800	2905800	2907230	none
646	111256	none	1112540	2907580	2907330	9000730	2907520	2907540	2907560	2907230	9040031
648	111264	none	1112650	2907490	2904130	9000740	2906050	2905540	2907480	2907230	9040031
843 1/2	112070	none	N.A.	N.A.	2907301	9000651	2907350	N.A.	2906010	2907230	none
845	110850	none	1112090	2907140	2904110	2907030	2907330	2907631	2907340	2907230	none
845	111221	none	1112090	2907140	2904110	2907030	2907330	2907631	2907340	2907230	none
846	112002	1010880	111050	2907250	2907230	2907040	1112470	2907641	2907290	2907230	none