



# SERVICE PARTS LIST

**BULLETIN NO.**  
**54-40-0144**

SPECIFY CATALOG NO. AND SERIAL NO. WHEN ORDERING PARTS		REVISED BULLETIN 54-40-0143	DATE June '90
<b>D.I. 8-1/4" CIRCULAR SAW</b>		WIRING INSTRUCTION <b>58-01-0755</b>	
CATALOG NO.	6407	STARTING SERIAL NO.	633-7100

**EXAMPLE:**  
Component Parts ( Small #)  
Are Included When Ordering  
The Assembly (Large #).

00 0

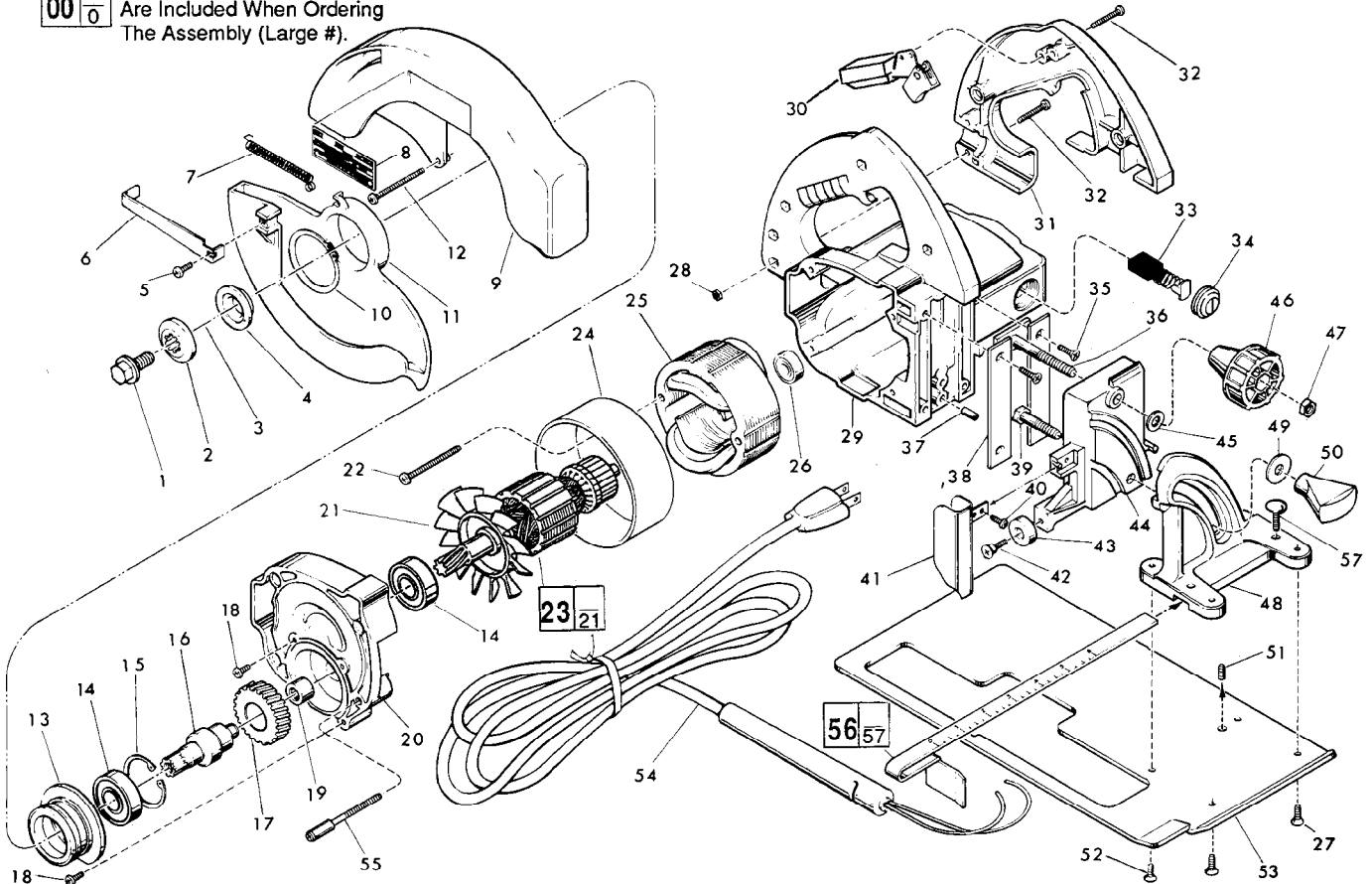


FIG.	PART NO.	DESCRIPTION OF PART	NO. REQ.
	1	06-75-0474 Blade Screw	(1)
	2	45-88-0286 Spindle Blade Retaining Washer	(1)
	3	----- 8-1/4" Blade (Select From Catalog)	(1)
	4	43-34-0251 Spindle Flange	(1)
★	5	06-82-7252 8-32 x 3/8" Pan Hd. Slit. Taptite Torx Screw	(1)
	6	43-62-0660 Lower Guard Handle	(1)
★	7	40-50-2310 Lower Guard Spring	(1)
	8	12-99-0355 Nameplate Blank	(1)
	9	26-41-0570 Upper Guard	(1)
	10	34-60-2210 Retaining Ring - External	(1)
	11	26-41-0560 Lower Guard	(1)
★	12	06-82-7382 8-16 x 1-5/8" Pan Hd. Plastite Torx Screw	(3)
	13	43-78-0250 Lower Guard Hub	(1)
	14	02-04-1748 Ball Bearing	(2)
	15	34-80-2960 Retaining Ring - Internal	(1)
	16	38-50-1075 Gear Spindle	(1)
	17	32-75-3210 Spindle Gear	(1)
★	18	06-82-7252 8-32 x 3/8" Pan Hd. Slit. Taptite Torx Screw	(4)
	19	02-50-2423 Needle Bearing	(1)
	20	14-30-0295 Gear Case Assembly	(1)
★	21	22-84-0655 Fan Assembly	(1)
	22	06-95-0370 10-24 x 1-3/4" Pan Hd. Screw	(2)
★	23	16-70-0291 120 V. Armature	(1)
	24	23-16-0691 Field Insulating Sleeve	(1)
★	25	18-70-0031 120 V. Field	(1)
	26	02-04-0850 Ball Bearing	(1)
	27	06-95-3250 8-32 x 5/8 Flat Hd. Phil. Dr. Screw	(3)
★	28	06-55-0835 8-32 Hex Nut	(5)
	29	31-50-0150 Motor Housing Assembly	(1)
		22-20-0350 Brush Insert	(2)
★	30	23-66-0167 Switch	(1)
	31	31-44-0480 L.H. Handle	(1)
★	32	06-82-2362 8-32 x 1" Pan Hd. Torx Screw	(5)
	33	22-18-0550 Carbon Brush Assembly	(2)

FIG.	PART NO.	DESCRIPTION OF PART	NO. REQ.
	34	23-44-0160 Brush Retaining Screw	(2)
	35	06-95-3240 8-32 x 3/4" Fl. Hd. Screw	(4)
	36	45-58-0250 Vertical Adjusting Stud	(1)
	37	06-65-1580 3/16" x 1/2" Lg. Roll Pin	(1)
	38	44-66-0650 Vertical Adjusting Stud	(2)
	39	45-58-0240 Angular Adjusting Stud	(1)
★	40	06-82-7252 8-32 x 3/8" Pan Hd. Slit. Taptite Torx Screw	(1)
	41	43-54-0330 Front Blade Guard Assembly	(1)
	42	45-04-0485 Guard Bumper Screw	(1)
	43	42-38-0075 Rubber Bumper	(1)
	44	28-10-0670 Vertical Adjusting Bracket	(1)
	45	45-88-0660 Angular Adjusting Washer	(1)
	46	43-98-0190 Vertical Adjusting Knob	(1)
	47	06-55-1985 5/16-18 Hex Nut	(1)
	48	28-10-0660 Angular Adjusting Bracket	(1)
	49	45-88-0650 Angular Adjusting Washer	(1)
	50	43-98-0240 Depth Adjusting Knob	(1)
	51	06-83-0801 8-32 x 3/8" Hds. Set Screw	(1)
	52	06-95-3241 8-32 x 1/2" Fl. Hd. Screw	(1)
	53	45-16-0330 Saw Shoe	(1)
	54	22-64-0780 Cord Set	(1)
	55	06-95-0267 Shoulder Screw	(1)
★	56	49-22-4150 Rip Fence Kit (Optional)	(1)
★	57	06-87-2450 Thumb Screw (Optional)	(2)
★		10-98-6131 Warning Label	(1)
		49-96-6200 9/16" Wrench	(1)

**FIG. LUBRICATION**

20 1/2 Oz. Type "O" Grease, No. 49-08-4200.

**MILWAUKEE ELECTRIC TOOL CORPORATION**  
13135 W. LISBON RD., BROOKFIELD, WI 53005