



SERVICE PARTS LIST

BULLETIN NO.
54-40-1152

SPECIFY CATALOG NO. AND SERIAL NO. WHEN ORDERING PARTS		REVISED BULLETIN 54-40-1151	DATE May '82
8-1/4" CIRCULAR SAW			
CATALOG NO. 6405	STARTING SERIAL NO. 552-31000	WIRING INSTRUCTION 58-01-0750	
CAT. NO. 6405-6	START SER. NO. 552-01001	BILINGUAL LABEL 10-98-6120	

FOR CAT. NO. 6405-2 (240V) TOOL USE:

- 16-76-0035 ARMATURE
- 18-76-0030 FIELD
- 22-64-4000 CORD SET
- 23-66-0355 SWITCH

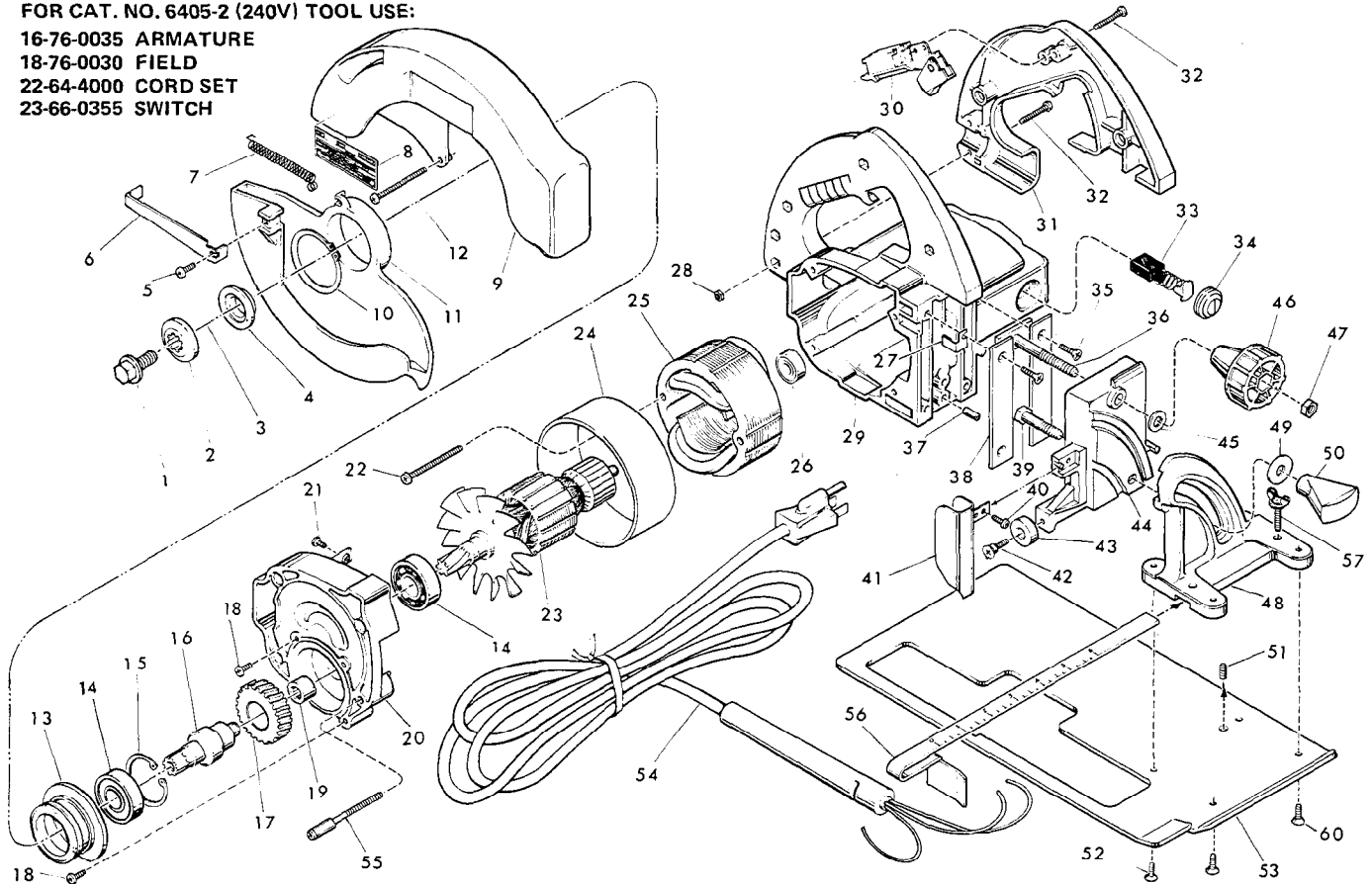


FIG.	PART NO.	DESCRIPTION OF PART	NO. REQ.	FIG.	PART NO.	DESCRIPTION OF PART	NO. REQ.
	1	06-75-0474 Blade Screw	(1)		31	31-44-0480 L.H. Handle	(1)
	2	45-88-0286 Spindle Blade Retaining Washer	(1)		32	06-81-0472 8-32 x 1 Pan Hd. Screw	(5)
	3	— 8-1/4 Blade (Select From Catalog)	(1)		33	22-18-0550 Carbon Brush Assembly	(2)
	4	43-34-0251 Spindle Flange	(1)		34	23-44-0160 Brush Retaining Screw	(2)
★	5	06-95-0211 8-32 x 3/8 Pan Hd. Screw	(1)		35	06-95-3240 8-32 x 3/4 Fl. Hd. Screw	(4)
	6	43-62-0660 Lower Guard Handle	(1)		36	45-58-0250 Vertical Adjusting Stud	(1)
	7	40-50-3750 Lower Guard Spring	(1)		37	06-65-1580 3/16 x 1/2 Lg. Roll Pin	(1)
	8	12-99-0340 Nameplate Blank	(1)		38	44-66-0650 Vertical Bracket Plate	(2)
		12-99-0342 Nameplate Blank (Canada)	(1)		39	45-58-0240 Angular Adjusting Stud	(1)
	9	26-41-0570 Upper Guard	(1)	★	40	06-95-0211 8-32 x 3/8 Pan Hd. Screw	(1)
	10	34-60-2210 Retaining Ring External	(1)		41	43-54-0330 Front Blade Guard Assembly	(1)
	11	26-41-0560 Lower Guard	(1)		42	45-04-0485 Guard Bumper Screw	(1)
★	12	06-95-3280 8-16 x 1-5/8 Plastite Pan Hd. Screw	(3)		43	42-38-0075 Rubber Bumper	(1)
	13	43-78-0250 Lower Guard Hub	(1)		44	28-10-0630 Vertical Adjusting Bracket	(1)
	14	02-04-1746 Ball Bearing	(2)		45	45-88-0660 Angular Adjusting Washer	(1)
	15	34-80-2960 Retaining Ring-Internal	(1)		46	43-98-0190 Vertical Adjusting Knob	(1)
	16	38-50-1075 Gear Spindle	(1)		47	06-55-1985 5/16-18 Hex Nut	(1)
	17	32-75-2770 Spindle Gear	(1)		48	28-10-0600 Angular Adjusting Bracket	(1)
	18	06-95-0211 8-32 x 3/8 Pan Hd. Screw	(4)		49	45-88-0650 Angular Adjusting Washer	(1)
	19	02-50-2423 Needle Bearing	(1)	★	50	43-98-0240 Depth Adjusting Knob	(1)
	20	14-30-0280 Gear Case Assembly	(1)		51	06-83-0800 8-32 x 3/8 Hdls. Set Screw	(1)
	21	06-81-8625 6-32 x 1/4 Ground Screw	(1)		52	06-95-3241 8-32 x 1/2 Fl. Hd. Screw	(1)
	22	06-95-0370 10-24 x 1-3/4 Pan Hd. Screw	(2)		53	45-16-0330 Saw Shoe	(1)
	23	16-70-0035 120V. Armature	(1)		54	22-64-0775 Cord Set	(1)
	24	23-16-0691 Field Insulating Sleeve	(1)		55	06-95-0267 Shoulder Screw	(1)
★	25	18-70-0030 120V. Field	(1)		56	49-02-0050 Rip Fence (Optional)	(1)
	26	02-04-0850 Ball Bearing	(1)		57	06-88-0100 Wing Screw (Optional)	(2)
	27	42-70-0200 Ground Clip	(1)		58	49-96-6200 9/16" Wrench (Not Shown)	(1)
	28	06-55-0825 8-32 Hex Nut	(5)		59	10-98-6130 Warning Label (Not Shown)	(1)
	29	31-50-0150 Motor Housing Assembly (Includes Two 22-20-0350 Brush Inserts)	(1)		60	06-95-3250 8-32 x 5/8 Flat Hd. Phil. Dr. Screw	(3)
★	30	23-66-0268 Switch	(1)		61	06-97-1700 Lockwasher - For Switch (Not Shown)	(4)