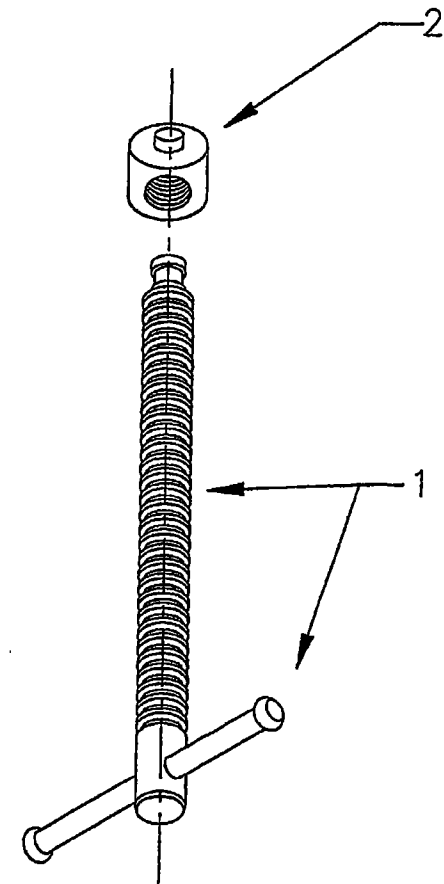
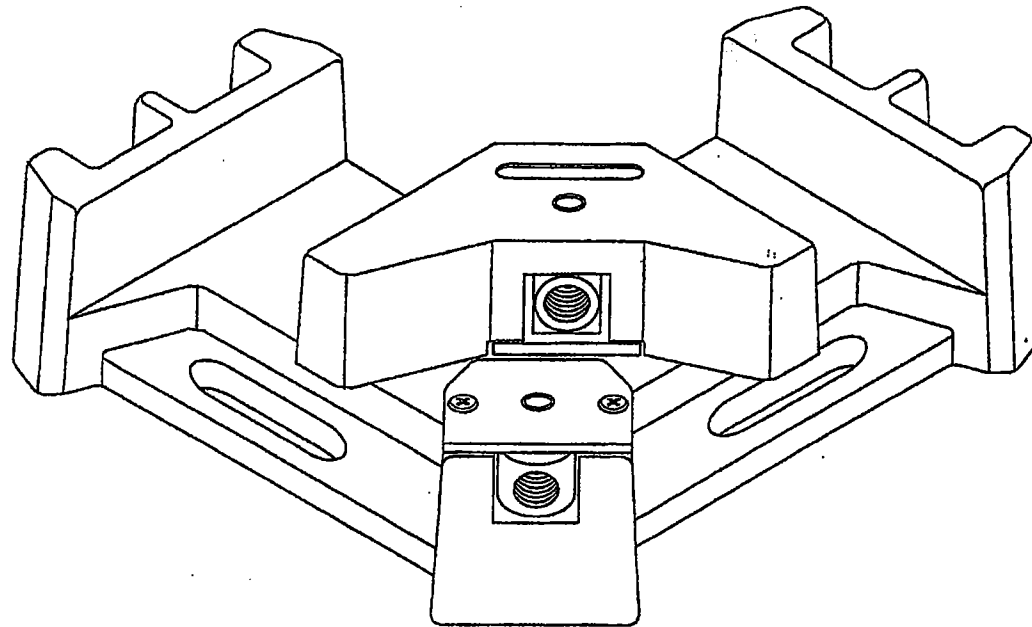


# 90° ANGLE CLAMP Replacement Parts



WILTON MODEL NUMBER	BASIC MITER CAPACITY	BASIC JAW HEIGHT	BASIC JAW LENGTH	ITEM #1 THREADED SPINDLE	ITEM #2 THREADED PIVOT NUT
AC-325	3-11/32"	1-3/8"	4-1/8"	3073621	3073601
AC-326	4-3/8"	2-3/8"	4-1/8"	3073711	3073691