



SERVICE PARTS LIST

BULLETIN NO.
55-40-6001

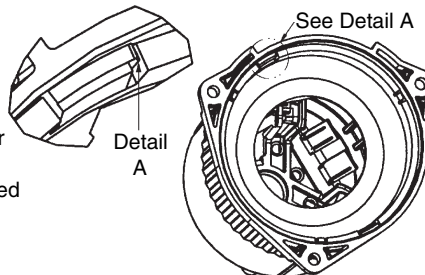
SPECIFY CATALOG NO. AND SERIAL NO. WHEN ORDERING PARTS		REVISED BULLETIN 55-40-6000	DATE Nov. 2005
CIRCULAR SAW with TILT-LOK® HANDLE			
CATALOG NUMBER	6380-51 (SCS 65Q)	SERIAL NUMBER	190B
EXAMPLE: <input type="text" value="00"/> <input type="text" value="0"/>		PRODUCT NUMBER	4000 3935 36
Component Parts (Small #) Are Included When Ordering The Assembly (Large #).		WIRING INSTRUCTION 58-03-1320	
		★ = Part number change from previous service parts list.	

FIG.	PART NO.	DESCRIPTION OF PART	NO. REQ.
★ 1	02-04-0847	Ball Bearing	(1)
2	02-04-1850	Ball Bearing	(1)
3	02-50-2423	Needle Bearing	(1)
4	05-89-0055	Socket Hd. Screw	(2)
5	05-78-0305	Switch Screw	(4)
6	06-10-0710	1/4" Carriage Bolt	(1)
8	06-75-5850	5/16 -18 L.H. Thread Bolt	(1)
9	06-82-5314	10-24 x 1/2" Pan Hd. Taptite T-25	(13)
10	06-82-5358	12-24 x 3/4" Pan Hd. Taptite T-27	(3)
11	06-82-5474	10-24 x 3/4" Pan Hd. Taptite T-25	(1)
12	06-82-7270	8-16 x 5/8" Pan Hd. St. Plastite T-20	(10)
13	06-82-7395	8-16 x 1-3/4" Pan Hd. Plastite T-20	(2)
14	06-82-8875	5/8"-DG50 Thread Form Screw T-20	(3)
16	12-20-6380	Service Nameplate Kit	(1)
17	14-20-1325	Suppressor Assembly	(1)
18	16-74-0060	Armature	(1)
19	18-74-1045	Field	(1)
20	22-18-0085	Brush Assembly	(2)
21	22-22-0030	Brush Tube Assembly	(2)
22	22-56-0857	Blade Housing Assembly	(1)
23	48-76-5012	Quik-Lok Cord Set	(1)
23	22-64-0684	Quik-Lok Cord Set (Australia)	(1)
24	23-66-2117	Switch	(1)
25	23-94-1180	Lead Assembly	(1)
26	23-94-1185	Lead Assembly	(1)
27	-----	Upper Guard Cover	(1)
28	14-67-0260	Bevel Bracket Assembly	(1)
29	28-14-0110	Gearcase	(1)
30	14-32-0135	Upper and Lower Guard Kit (Incl. 27 & 49)	(1)
31	31-05-0045	Baffle	(1)
32	31-15-0461	Motor Cover	(1)
33	31-44-0060	Front Handle	(1)
34	31-44-0083	Right Handle Halve	(1)
35	31-44-0093	Left Handle Halve	(1)
36	31-44-2157	Handle Lever	(1)
37	31-50-0050	Motor Housing	(1)
38	31-52-0015	Depth Lever	(1)
39	31-52-0025	Guard Lever	(1)
40	31-76-0016	Shuttle	(1)
41	32-75-3205	Gear	(1)
43	34-40-1375	O-Ring	(2)
44	34-40-1380	O-Ring	(1)
45	34-60-0320	External Retaining Ring	(1)
46	34-60-2330	Klip Ring	(1)
47	38-50-0065	Spindle	(1)
48	40-50-0055	Compression Spring	(2)
49	40-50-0185	Guard Spring	(1)
50	40-50-0270	Compression Spring	(1)
51	40-50-8040	Spring	(1)
52	42-16-0160	Handle Band	(1)
53	42-38-0222	Rubber Bumper	(1)
54	42-42-0275	Spindle Lock Button	(1)
55	43-34-0480	Inner Flange	(1)
56	43-34-0485	Outer Flange	(1)
57	43-78-0155	Hub Assembly (With Bearing)	(1)
58	43-97-0075	Riving Knife	(1)
59	43-98-0615	Knob	(1)
60	44-10-0130	Bevel Adjustment Lever	(1)
61	44-14-0225	Link Plate	(1)
63	44-20-0510	Spindle Lock Pin	(1)
64	44-20-0640	Slide Lock	(1)
65	44-40-0780	Adjustment Nut	(1)
66	44-52-0682	Grip	(1)
67	44-60-0075	Thru Pin	(1)
68	44-60-0085	Tapped Pin	(1)
69	44-60-1180	Pivot Pin	(1)

FIG.	PART NO.	DESCRIPTION OF PART	NO. REQ.
70	44-66-0075	Retaining Plate	(1)
72	44-66-0201	Lock Plate	(1)
73	44-72-0050	Pointer	(1)
74	45-04-0485	Bumper Screw	(1)
★ 76	45-08-0416	Depth Shaft	(1)
77	45-16-0165	Shoe Assembly	(1)
78	45-22-0605	Lower Guard Sleeve	(1)
79	45-76-0331	Dust Chute	(1)
80	45-88-0577	Wave Spring washer	(2)
★ 82	45-88-8461	Washer	(1)
83	45-88-8460	5/16 Washer	(1)
84	49-96-0345	Hex Key	(1)
	49-22-4165	Rip Fence Assembly	(1)

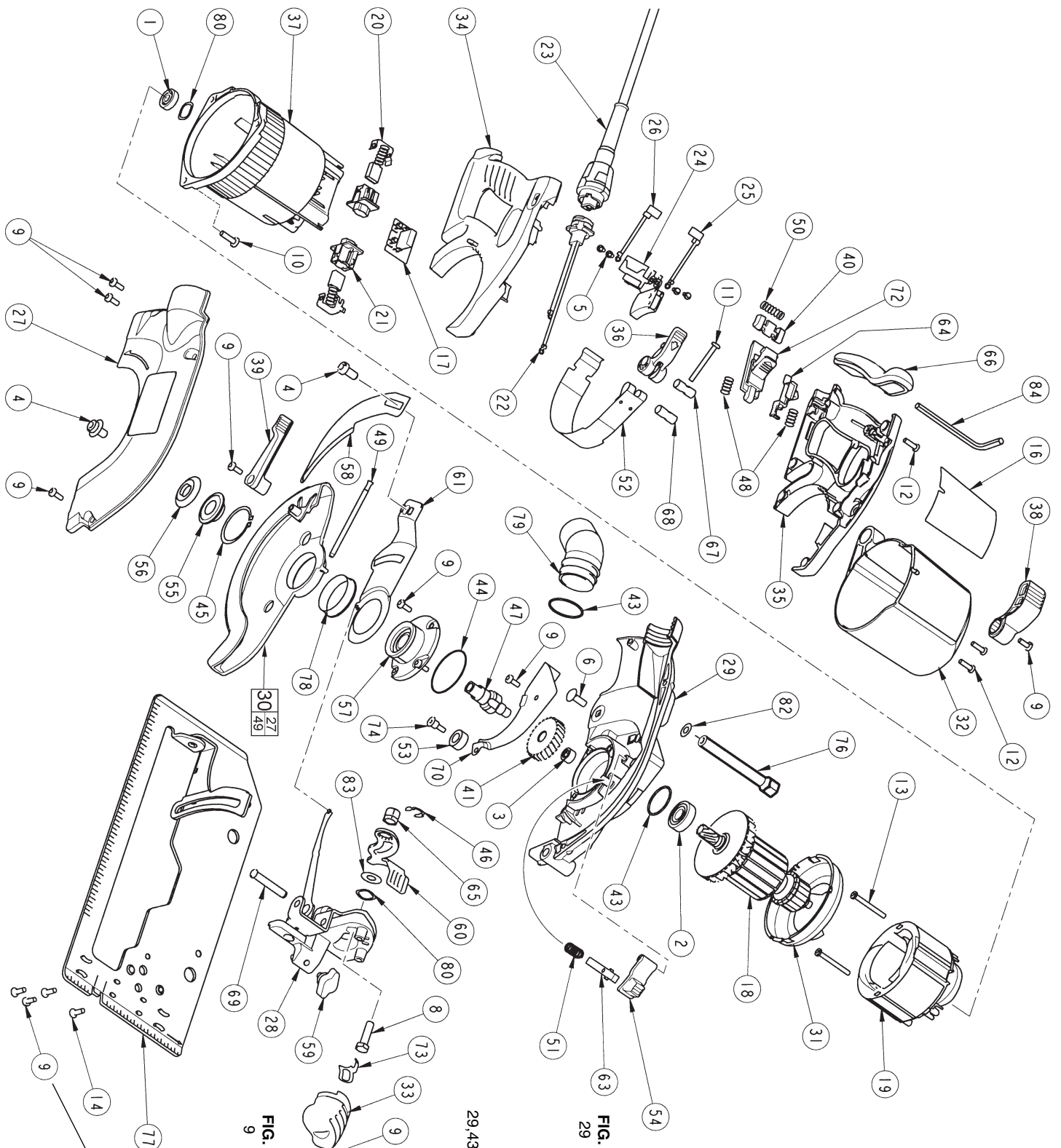
FIG. NOTE

- 1 Orient the ball bearing so that the seal faces the commutator.
- 3,41 Orient the needle bearing such that the text is facing the gear. Press the bearing 0,4mm subflush to the gear cavity wall.
- 11 Tighten the handle lever screw such that it requires 2-3N force to close the handle lever to the locked position.
- 28,73 Position the pointer such that the arrow indicates between the zero and one degree mark on the bevel plate scale. Loosen front handle screws to adjust pointer.
- 29,31 Orient the baffle with the crush ribs aligned with the screw holes in the motor housing and the locator tabs aligned and seated as shown.



See Detail A

Detail A
- 30 Functionally check the lower guard with the saw set at full depth of cut and zero degree bevel. Place the saw upside down with the shoe horizontal. Retract the lower guard 100%. Release the lower guard lever. The guard should return in a brisk manner.
- 38 When tight, the depth adjustment lever should be parallel (±20°) with the shoe.
- 45 Orient the external retaining ring such that the beveled face is towards the guard.
- 60 When tight, the bevel adjustment lever should be bottomed out on the shoe. (Up to 2,5mm off the shoe is acceptable).
- 82 Orient the washer such that the rounded edge is towards the depth rail.
- 83 Orient the washer such that the rounded edge is towards the bevel plate.



29.43 Apply a light film of vegetable oil to the o-ring before assembling.

29 **LUBRICATION**
Apply 10-11ml "Y" Grease, No. 49-08-5270, to gear bore of upper guard gearcase. The grease should be directed toward the pinion end of the armature.

NOTE
Adjust the "zero set" screw such that a disk, simulating a blade, is perpendicular to the shoe within 1/2 degree (0.5mm) at the outer diameter of the disk.