



# SERVICE PARTS LIST

**BULLETIN NO.**  
**55-40-1635**

SPECIFY CATALOG NO. AND SERIAL NO. WHEN ORDERING PARTS		REVISED BULLETIN	DATE
<b>METAL CUTTING SAW</b>			Dec. 2012
CATALOG NO. 6370-59A	STARTING SERIAL NUMBER	<b>D79A</b>	
		WIRING INSTRUCTION <b>SEE PAGE 4</b>	

**EXAMPLE:**  
Component Parts (Small #) Are Included  
When Ordering The Assembly (Large #).

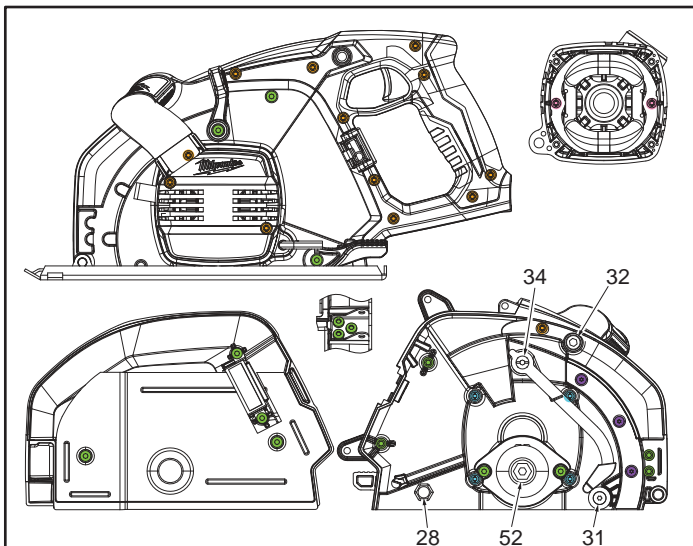
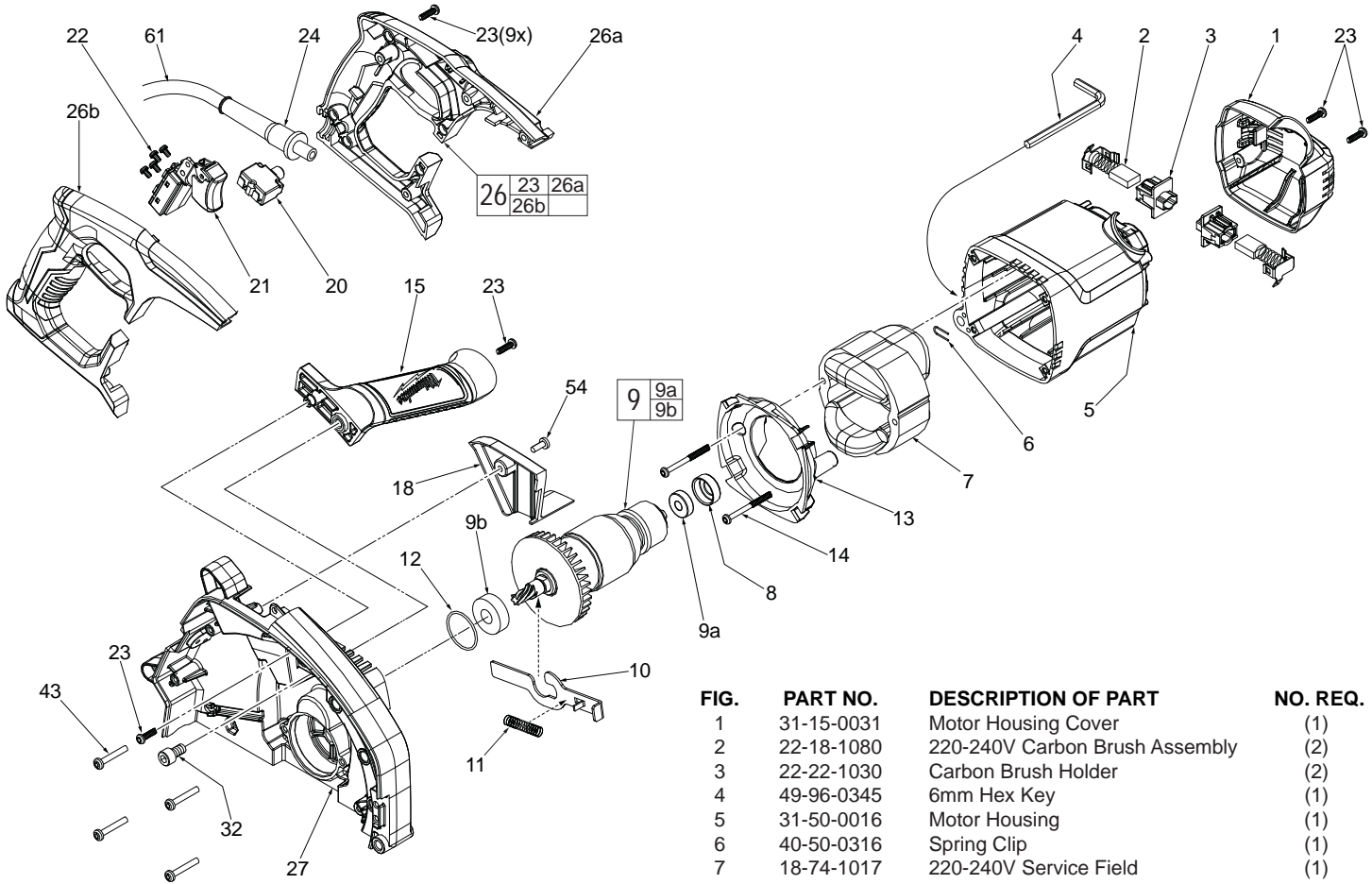


FIG.	PART NO.	DESCRIPTION OF PART	NO. REQ.
1	31-15-0031	Motor Housing Cover	(1)
2	22-18-1080	220-240V Carbon Brush Assembly	(2)
3	22-22-1030	Carbon Brush Holder	(2)
4	49-96-0345	6mm Hex Key	(1)
5	31-50-0016	Motor Housing	(1)
6	40-50-0316	Spring Clip	(1)
7	18-74-1017	220-240V Service Field	(1)
8	42-96-0026	Rubber Bearing Cup	(1)
9	16-74-1017	220-240V Service Armature Assembly	(1)
9a	02-04-0847	Ball Bearing	(1)
9b	02-04-1850	Ball Bearing	(1)
10	44-20-0016	Spindle Lock	(1)
11	40-50-0346	Spindle Lock Spring	(1)
12	34-40-1375	O-Ring	(1)
13	31-05-0076	Fan Baffle	(1)
14	06-82-7395	8-16 x 1.75" Pan Hd. Slit. Plast. T-20	(2)
15	31-44-0226	Front Handle Assembly	(1)
18	31-15-0036	Wire Cover	(1)
20	22-36-0162	230V 7A Overload Protector	(1)
21	23-66-2685	Switch	(1)
22	05-78-0305	M3.5 x 0.6 x 0.7mm Pan Hd. Slit. T-15	(4)
23	06-82-7270	8-16 x 5/8" Pan Hd. Plast. T-20	(13)
24	44-76-0210	Cord Protector	(1)
26	14-34-6370	Rear Handle Assembly	(1)
26a	-----	Left Rear Handle Halve	(1)
26b	-----	Right Rear Handle Halve	(1)
27	28-14-0016	Gearcase	(1)
32	06-75-3971	M8 x 1.25 Bolt	(1)
43	05-88-9926	M5 x 16 x 2.14" Pan Hd. Taptite T-25	(4)
54	06-82-5314	10-24 x 1/2" Pan Hd. Tapt. T-25 (1 of 16)	(16)
61	22-64-1480	Power Cord	(1)
62	23-94-1220	Leadwire Assembly - Black (Not Shown)	(1)

FIG.	PART NO.	DESCRIPTION	QTY.
● 54	06-82- 5314	10-24 x 1/2" Pan Hd. Taptite T-25	(16)
● 23	06-82-7270	8-16 x 5/8" Pan Hd. Plastite T-20	(13)
● 43	05-88-9926	M5 x 16 x 2.14" Pan Hd. Tapt. T-25	(4)
● 37	06-82-3792	8-32 x 3/8" Flat Hd. Taptite T-15	(3)
● 14	06-82-7395	8-16 x 1.75" Pan Hd. Plastite T-20	(2)

**FASTENER TORQUE CHART**

FIG.	DESCRIPTION	KG/CM	IN/LBS
14	8-16 x 1.75" Pan Hd. Plastite T-20	17-23	14-20
22	M3.5 x .7mm Switch Screw	3-6	3-5
23	8-16 x 5/8" Pan Hd. Plastite T-20	15-20	13-17
31	10-32 x 13/16" Bumper Screw T-25	30-40	26-34
32	M8 X 1.25 Bolt	25-35	21-30
34	10-24 Pan Hd. Taptite T-25	30-40	26-34
37	8-32 x 3/8" Flat Hd. Taptite T-15	4-8	3-7
39	Depth Shaft	30-36	26-31
43	M5 x 16 x 2.14" Pan Hd. Tapt. T-25	40-50	34-43
54	10-24 x 1/2" Pan Hd. Tapt. T-25 (For #18)	17-23	14-20
54	10-24 x 1/2" Pan Hd. Tapt. T-25 (For #19)	20-30	17-26
54	10-24 x 1/2" Pan HdTapt. T-25 (For all other)	34-40	29-34

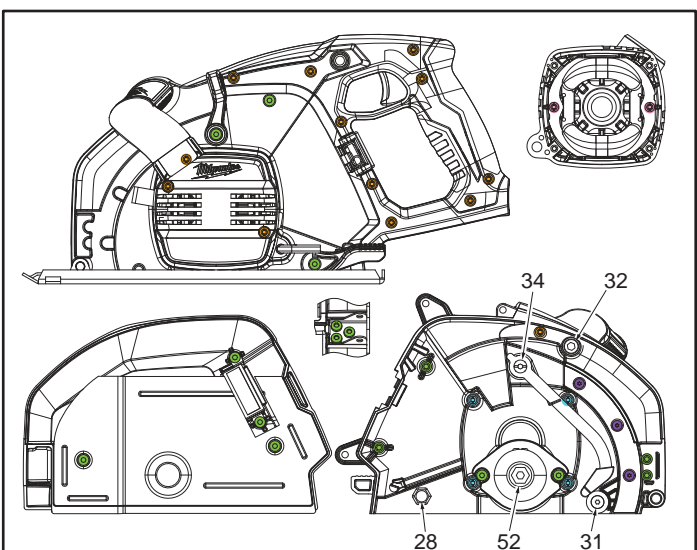
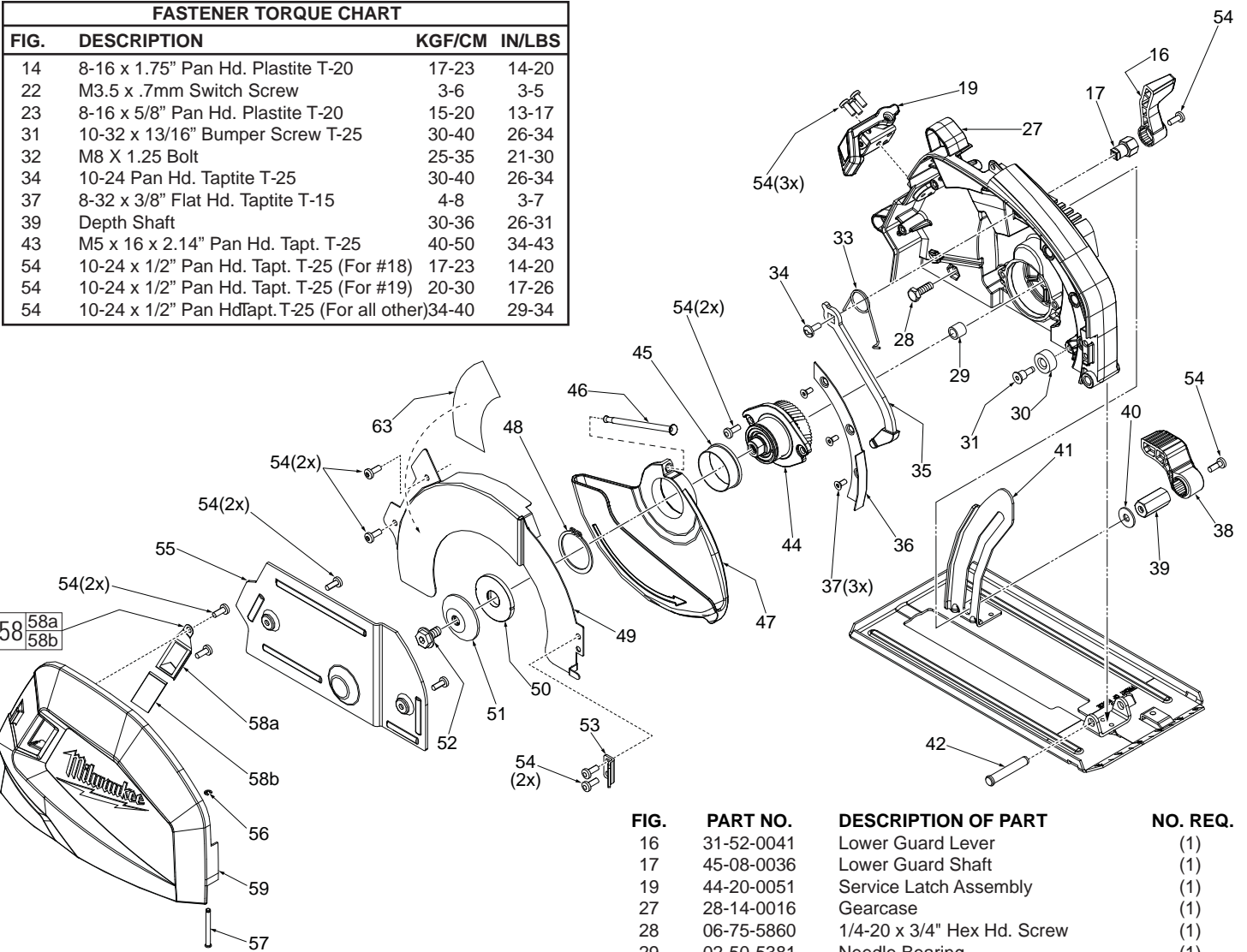
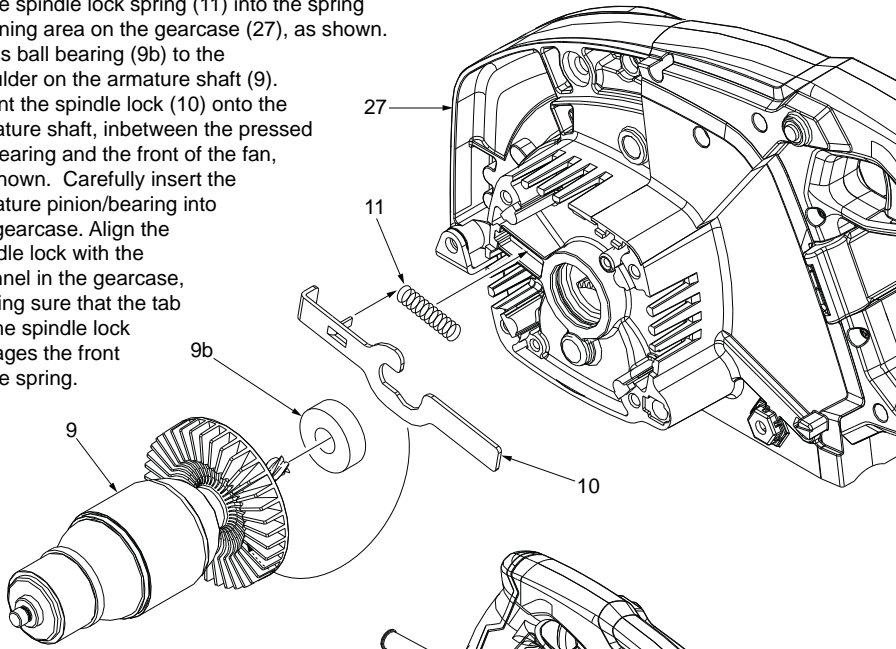


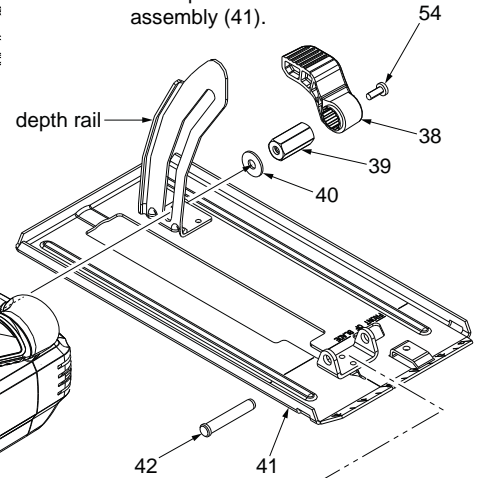
FIG.	PART NO.	DESCRIPTION	QTY.
●	54	06-82- 5314 10-24 x 1/2" Pan Hd. Taptite T-25	(16)
●	23	06-82-7270 8-16 x 5/8" Pan Hd. Plastite T-20	(13)
●	43	05-88-9926 M5 x 16 x 2.14" Pan Hd. Tapt. T-25	(4)
●	37	06-82-3792 8-32 x 3/8" Flat Hd. Taptite T-15	(3)
●	14	06-82-7395 8-16 x 1.75" Pan Hd. Plastite T-20	(2)

FIG.	PART NO.	DESCRIPTION OF PART	NO. REQ.
16	31-52-0041	Lower Guard Lever	(1)
17	45-08-0036	Lower Guard Shaft	(1)
19	44-20-0051	Service Latch Assembly	(1)
27	28-14-0016	Gearcase	(1)
28	06-75-5860	1/4-20 x 3/4" Hex Hd. Screw	(1)
29	02-50-5381	Needle Bearing	(1)
30	42-38-0222	Rubber Bumper	(1)
31	45-04-0485	10-32 x 13/16" T-25 Bumper Screw	(1)
33	40-50-0356	Torsion Spring	(1)
34	06-82-5561	10-24 Pan Hd. Taptite T-25	(1)
35	44-14-0016	Lower Guard Link Assembly	(1)
36	43-56-0016	Chip Guide Plate	(1)
37	06-82-3792	8-32 x 3/8" Flat Hd. Taptite T-15	(3)
38	31-52-0017	Depth Lever	(1)
39	45-08-0016	Depth Shaft	(1)
40	45-88-8461	Washer	(1)
41	45-16-0132	Shoe Assembly	(1)
42	44-60-1180	Pivot Pin	(1)
44	43-78-0026	Service Hub Assembly	(1)
45	45-14-0021	Lower Guard Sleeve	(1)
46	40-50-0045	Lower Guard Spring	(1)
47	28-41-0016	Lower Guard	(1)
48	34-60-0860	Retaining Ring	(1)
49	43-54-0031	Inner Guard	(1)
50	43-34-0091	Inner Flange	(1)
51	43-34-0093	Outer Flange	(1)
52	06-75-0035	5/16" 18 x 9/16" Blade Screw	(1)
53	42-70-0051	Cover Latching Clip	(1)
54	06-82-5314	10-24 x 1/2" Pan Hd. Tapt. T-25 (15 of 16)	(16)
55	28-20-0016	Collector Cover Plate	(1)
56	34-60-0401	E-Ring	(1)
57	44-60-0106	Front Latch Pin	(1)
58	43-50-0020	Window Assembly	(1)
58a	-----	Window Retainer	(1)
58b	-----	Window Glass	(1)
59	28-20-0021	Collector Cover	(1)
63	10-20-0000	Warning Label	(1)

Place spindle lock spring (11) into the spring retaining area on the gearcase (27), as shown. Press ball bearing (9b) to the shoulder on the armature shaft (9). Orient the spindle lock (10) onto the armature shaft, inbetween the pressed on bearing and the front of the fan, as shown. Carefully insert the armature pinion/bearing into the gearcase. Align the spindle lock with the channel in the gearcase, making sure that the tab on the spindle lock engages the front of the spring.

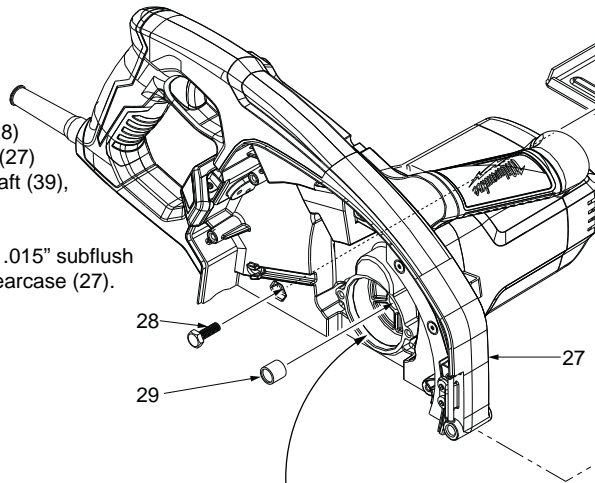


Orient the washer (40) such that the rounded edge is towards the depth rail of the shoe assembly (41).



Verify that the hex head bolt (28) is fully seated in the gearcase (27) while assembling the depth shaft (39), as shown.

Press the bearing (29) flush to .015" subflush to the gear cavity wall in the gearcase (27).



**When servicing, remove 90-95% of the existing grease prior to installing Type 'Y' grease. Original grease maybe similar in color but not compatible with 'Y'.**

#### LUBRICATION

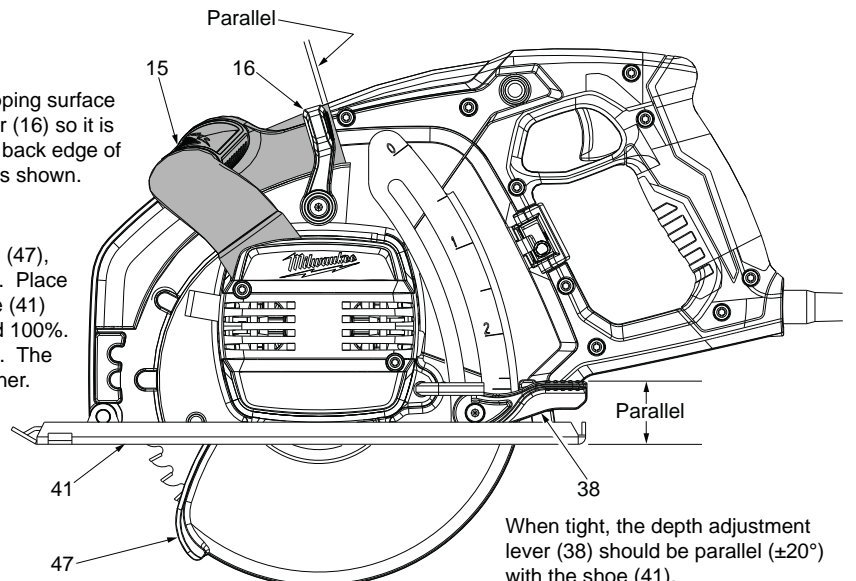
##### Type 'Y' Grease, No. 49-08-5270

Note: Approx. 20 grams (.7 oz.) will be used

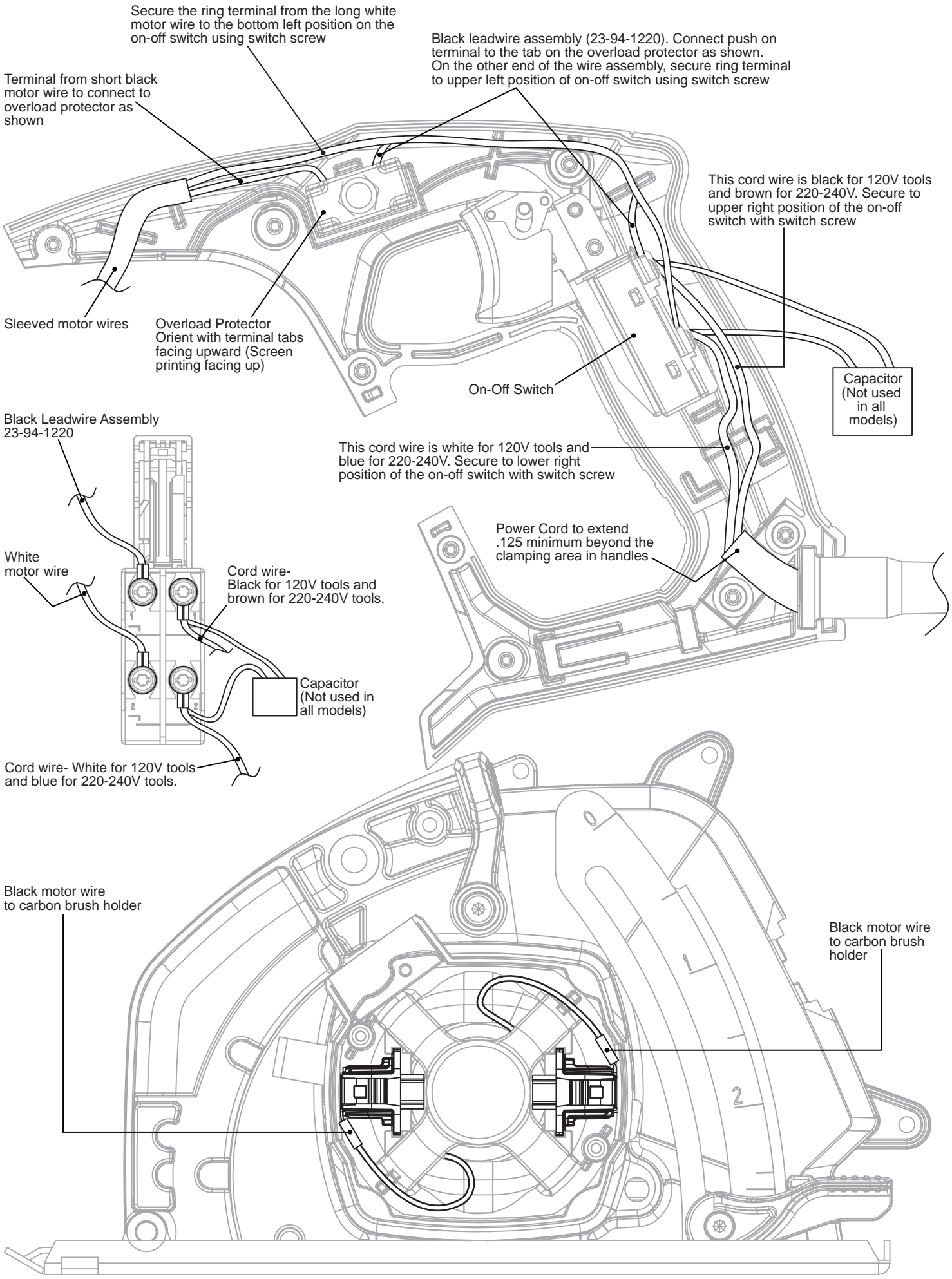
- Place a light coat of grease on the lower guard shaft (17) before assembling into the gearcase hole. (Approx. 1g/.035oz.)
- Coat o-ring (12) with grease prior to installing in groove of bearing cavity of gearcase (27). Coat bearing cavity (with o-ring installed) with grease prior to installing ball bearing (9b). (Approx. 2g/.07oz.)
- Place a heavy coating of grease over and around all teeth of the pinion gearing of the armature (9). (Approx. 2g/.07oz.)
- Place 9-11 grams (.32-.39oz.) of grease into the gear cavity of gearcase (27) prior to installing the service hub assembly (44).
- Place a heavy coating of grease over and around all of the teeth of the gear of the service hub assembly. (Approx. 3g/.1oz.)
- Coat the outside surface of needle bearing (29) and the needle bearing cavity of gearcase (27) with grease. (Approx. 1g/.035oz.)

Orient the textured gripping surface of the lower guard lever (16) so it is parallel ( $\pm 20^\circ$ ) with the back edge of the front handle (15), as shown.

Functionally check the lower guard (47), with the saw set at full depth of cut. Place the saw upside down with the shoe (41) horizontal. Retract the lower guard 100%. Release the lower guard lever (16). The guard should return in a brisk manner.



When tight, the depth adjustment lever (38) should be parallel ( $\pm 20^\circ$ ) with the shoe (41).



Secure the ring terminal from the long white motor wire to the bottom left position on the on-off switch using switch screw

Black leadwire assembly (23-94-1220). Connect push on terminal to the tab on the overload protector as shown. On the other end of the wire assembly, secure ring terminal to upper left position of on-off switch using switch screw

Terminal from short black motor wire to connect to overload protector as shown

This cord wire is black for 120V tools and brown for 220-240V. Secure to upper right position of the on-off switch with switch screw

Sleeved motor wires

Overload Protector Orient with terminal tabs facing upward (Screen printing facing up)

On-Off Switch

Capacitor (Not used in all models)

Black Leadwire Assembly 23-94-1220

This cord wire is white for 120V tools and blue for 220-240V. Secure to lower right position of the on-off switch with switch screw

White motor wire

Cord wire- Black for 120V tools and brown for 220-240V tools.

Capacitor (Not used in all models)

Power Cord to extend .125 minimum beyond the clamping area in handles

Cord wire- White for 120V tools and blue for 220-240V tools.

Black motor wire to carbon brush holder

Black motor wire to carbon brush holder