



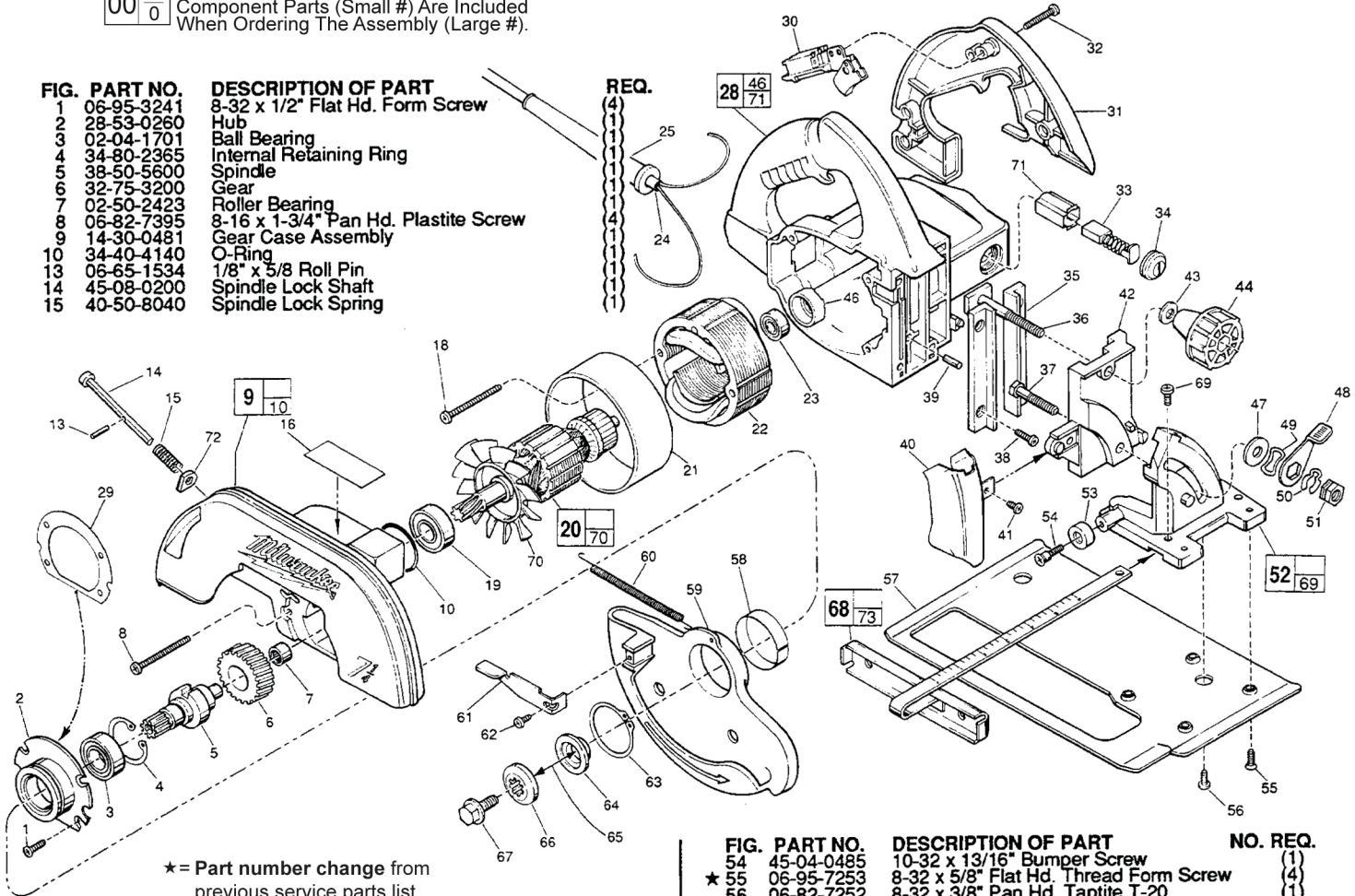
SERVICE PARTS LIST

BULLETIN NO.
55-40-0128

SPECIFY CATALOG NO. AND SERIAL NO. WHEN ORDERING PARTS		REVISED BULLETIN	DATE
D.I. 7-1/4" CIRCULAR SAW		54-40-0127	Dec. 2013
CATALOG NO.	6365-2	WIRING INSTRUCTION	
STARTING SERIAL NO.	546B	58-03-1271	

EXAMPLE:
00 0 Component Parts (Small #) Are Included
When Ordering The Assembly (Large #).

FIG.	PART NO.	DESCRIPTION OF PART
1	06-95-3241	8-32 x 1/2" Flat Hd. Form Screw
2	29-53-0260	Hub
3	02-04-1701	Ball Bearing
4	34-80-2365	Internal Retaining Ring
5	38-50-5600	Spindle
6	32-75-3200	Gear
7	02-50-2423	Roller Bearing
8	06-82-7395	8-16 x 1-3/4" Pan Hd. Plastite Screw
9	14-30-0481	Gear Case Assembly
10	34-40-4140	O-Ring
13	06-65-1534	1/8" x 5/8 Roll Pin
14	45-08-0200	Spindle Lock Shaft
15	40-50-8040	Spindle Lock Spring



* = Part number change from previous service parts list.

16	12-20-0185	Service Nameplate Kit	(1)
18	06-82-7395	8-16 x 1-3/4" Pan Hd. Plastite T-20 Screw	(2)
19	02-04-1700	Ball Bearing	(1)
20	06-76-0285	220 V Armature	(1)
21	42-14-0310	Baffle	(1)
22	18-76-0032	220 V Field	(1)
23	02-04-0850	Ball Bearing	(1)
24	22-64-4480	Cord Set	(1)
25	44-76-0210	Cord Protector	(1)
★ 28	31-50-1041	Motor Housing Assembly	(1)
29	43-44-0800	Gasket	(1)
30	23-66-0167	Switch	(1)
31	31-44-1421	Handle Half-Left	(1)
★ 32	06-82-7326	8-16 x 1" Pan Hd. Slotted Plastite T-20	(4)
33	22-18-0740	Carbon Brush Assembly	(2)
34	23-44-0160	Brush Retaining Screw	(2)
35	28-72-0049	Vertical Adjusting Plate	(2)
36	45-58-0310	Vertical Adjusting Stud	(1)
37	45-58-0270	Angular Adjusting Stud	(1)
38	06-82-7270	8-16 x 5/8" Slot. Plastite T-20	(4)
39	06-65-1580	3/16" x 1/2" Roll Pin	(1)
40	43-54-0547	Front Blade Guard	(1)
★ 41	06-82-7253	8-32 x 3/8" Pan Hd. Taptite T-20	(1)
42	25-10-0799	Vertical Adjusting Bracket	(1)
43	45-88-0660	Adjusting Washer	(1)
★ 44	14-34-0190	Vertical Adjusting Knob Assembly	(1)
★ 46	42-96-0130	Bearing Cup	(1)
★ 47	45-88-8460	Angle Adjusting Washer	(1)
48	44-10-0200	Lever	(1)
49	45-88-0577	Wave Washer	(1)
50	34-60-2330	Klipring	(1)
51	44-40-0460	Adjustment Nut	(1)
52	28-10-0791	Angular Adjustment Bracket Assembly	(1)
53	42-38-0221	Rubber Bumper	(1)

FIG.	PART NO.	DESCRIPTION OF PART	NO. REQ.
54	45-04-0485	10-32 x 13/16" Bumper Screw	(1)
★ 55	06-95-7253	8-32 x 5/8" Flat Hd. Thread Form Screw	(4)
56	06-82-7252	8-32 x 3/8" Pan Hd. Taptite T-20	(1)
57	45-16-0570	Shoe	(1)
58	45-14-0230	Lower Guard Shim	(1)
59	28-41-0912	Lower Guard	(1)
60	40-50-4510	Lower Guard Spring	(1)
61	43-62-0910	Lower Guard Handle	(1)
★ 62	06-82-5317	8-32 x 1/2" Pan Hd. Taptite T-20	(1)
63	34-60-2195	External Retaining Ring	(1)
64	43-34-0560	Inner Flange	(1)
65		7-1/4" Blade	(1)
66	45-88-0286	Spindle Washer	(1)
67	06-75-0477	3/8"-24 x 11/16" Blade Screw	(1)
68	49-22-4150	Rip Fence (Optional)	(1)
69	06-95-0335	1/4"-20 x 1/2" Fil. Hd. Screw	(2)
70	22-84-0655	Fan Assembly	(1)
71	22-20-0820	Brush Insert	(2)
	49-96-6200	9/16" Utility Wrench	(1)
72	45-88-8250	Felt Seal	(1)
73	06-87-2450	1/4-20 x 1/2" Thumb Screw	(2)

FIG.	LUBRICATION
9	3/4 Oz. Type "O" Grease, No. 49-08-4200.
35,42,52	Apply a thin coat of dry spray lubricant to all sliding surfaces.
2,58,59	Apply a light coat of Artic Grease, No. 49-08-4100 to lower guard bore, faces of hub O.D. and all mating surfaces.

FIG.	NOTES
14	Flat in spindle lock shaft must face gear.
41,62	Apply Blue Loctite, Type CV-242.
60	Hooks of spring must be completely inserted in slots. Long hook in upper guard.