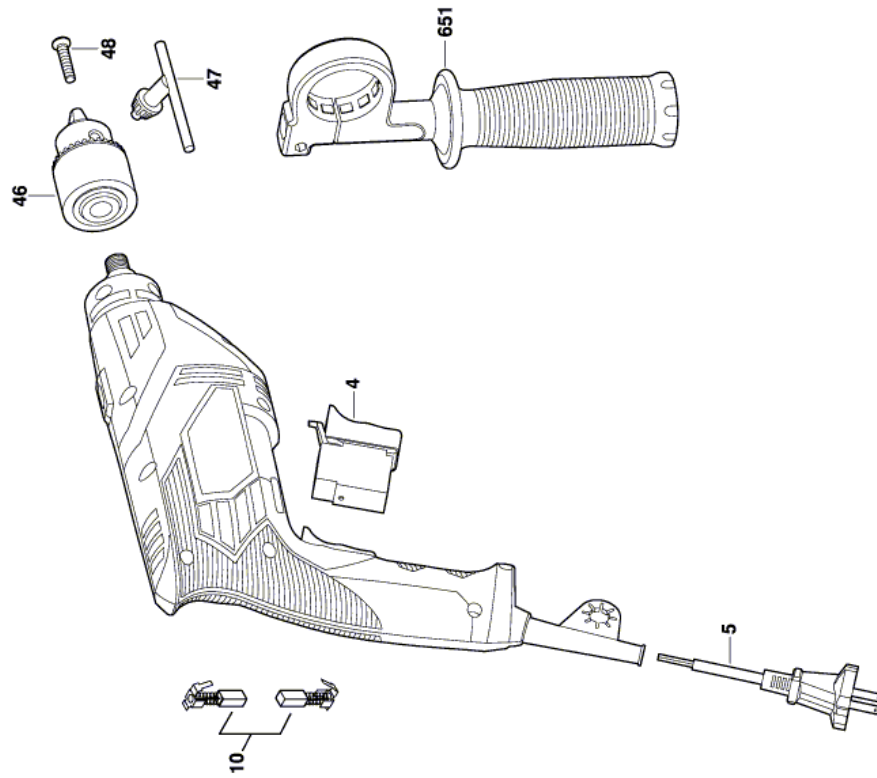


10.08.2015 |

Drill - F 012 633 500 - 6335

Item	Part Number	Description	Illustration	Price	Quantity	Price Group
4	1 619 P05 445	On-Off Switch		1	-,-	1 -
5	1 619 P05 446	Cord		1	-,-	1 -
10	1 619 P05 494	Carbon Brush		1	-,-	1 -
46	1 619 P05 480	Chuck 13 mm		1	-,-	1 -
47	1 619 P05 481	Chuck Wrench		1	-,-	1 -
48	1 619 P05 482	Screw		1	-,-	1 -
651	1 619 P05 488	Auxiliary Handle		1	-,-	1 -

Illustration - Type E



F012 633 500
Issue } 08-4T
Stand } 14-04-24
Fig./Abb. 1

Modifications reserved
Änderungen vorbehalten
Modificacions reservées
Salvo modificaciones

Information subject to change without further notice.