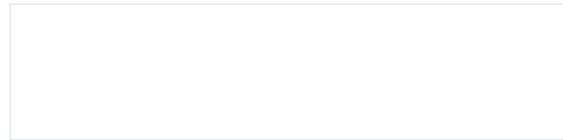


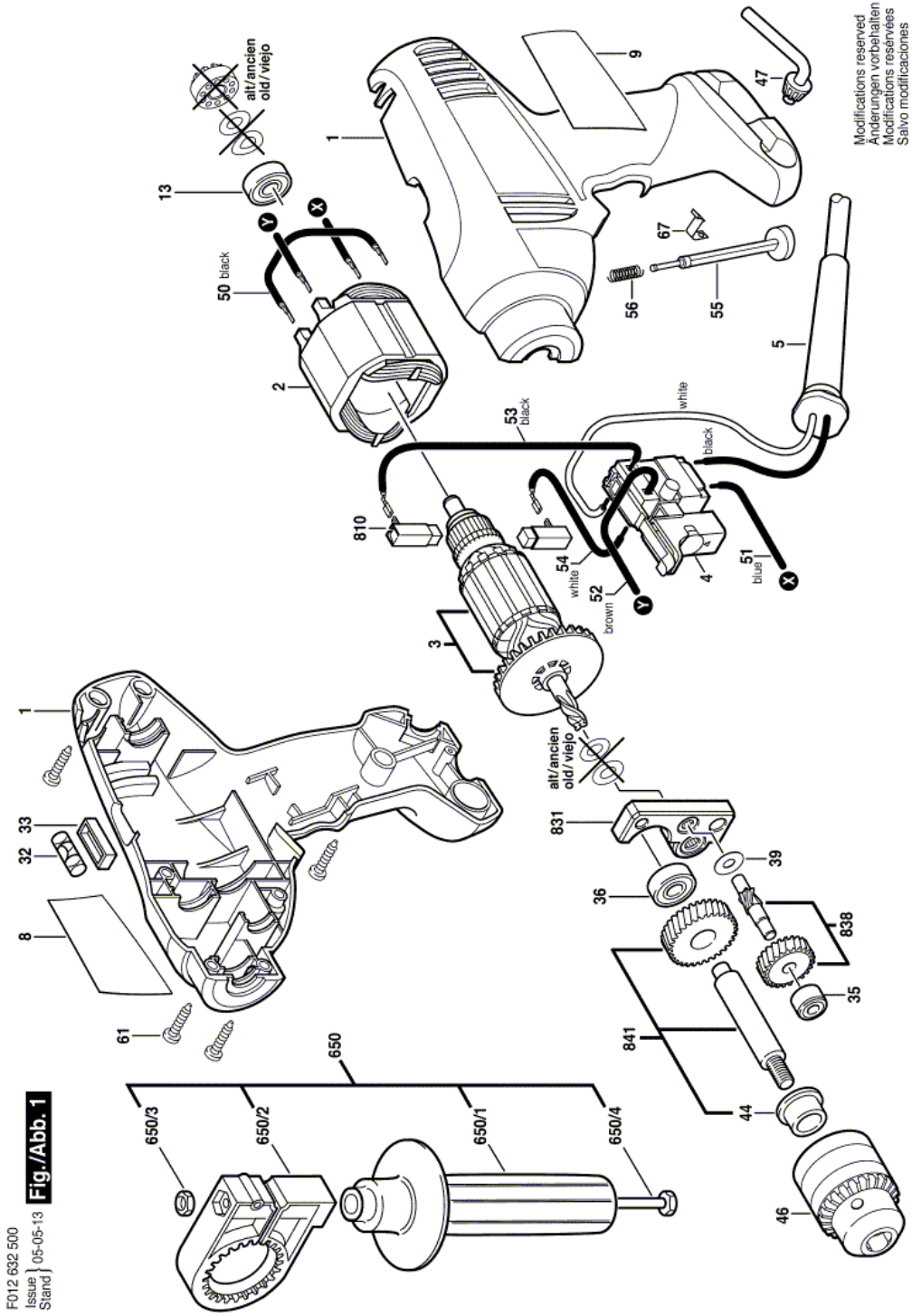
Drill - F 012 632 500 - 6325



Item	Part Number	Description	Illustration	Price	Quantity	Price Group
1	2 610 909 082	Motor Housing	1	-,-	1	-
2	2 610 967 181	Pole Shoe 120V	1	-,-	1	-
3	2 610 967 173	Armature 120V	1	-,-	1	-
4	2 610 910 278	Switch	1	-,-	1	-
5	1 619 X00 506	Power supply cord	1	-,-	1	-
8	2 610 912 495	Nameplate	1	-,-	1	-
9	2 610 912 496	Manufacturer's nameplate	1	-,-	1	-
13	2 610 001 147	Ball Bearing	1	-,-	1	-
32	2 610 967 204	Bubble Level	1	-,-	1	11
33	2 610 967 205	Support	1	-,-	1	-
35	2 610 992 216	Needle-Roller Bearing	1	-,-	1	-
36	1 619 P01 511	Ball Bearing	1	-,-	1	19
39	2 600 100 627	Shim 0,3 MM	1	-,-	1	11
44	2 610 967 161	Sintered-Metal Bushing	1	-,-	1	-
46	2 610 907 641	Chuck	1	-,-	1	28
47	2 610 304 970	Keyless Chuck	1	-,-	1	-
50	2 610 967 175	Cable 135 MM	1	-,-	1	-
51	2 610 912 416	Cable	1	-,-	1	-
52	2 610 912 417	Cable	1	-,-	1	-
53	2 610 912 434	Cable	1	-,-	1	-
54	2 610 320 494	Connecting Wire 50 MM	1	-,-	1	11
55	2 610 909 084	Locking Lever	1	-,-	1	-
56	2 610 967 239	Compression Spring	1	-,-	1	-
61	1 619 X00 504	Screw	1	-,-	7	10
67	2 610 909 083	Spring Clip	1	-,-	1	-
650	2 610 967 198	Auxiliary Handle	1	-,-	1	-
650/1	2 610 910 349	Handle	1	-,-	1	-
650/2	2 610 910 325	Collar	1	-,-	1	-
650/3	2 610 044 563	Nut	1	-,-	1	11
650/4	2 610 967 194	Screw	1	-,-	1	12
810	2 610 967 197	Carbon-Brush Set	1	-,-	1	21
831	2 610 967 163	Bearing Block	1	-,-	1	-
838	2 610 993 247	Conversion Gear	1	-,-	1	-

Item	Part Number	Description	Illustration	Price	Quantity	Price Group
841	2 610 912 451	Assembly Of Service Parts	1	-,-	1	-

Illustration - Type E



Information subject to change without further notice.