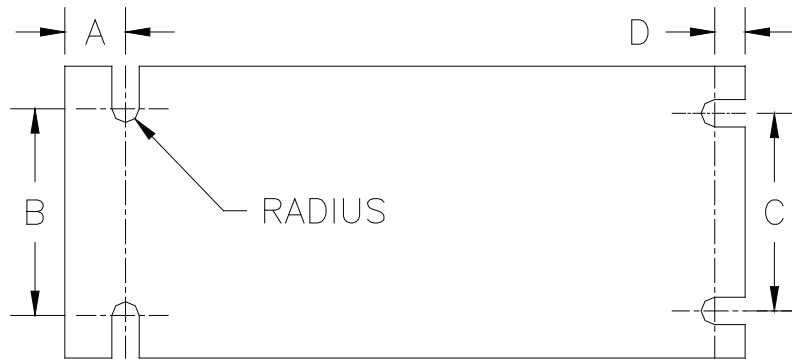


DRILL PRESS VISES

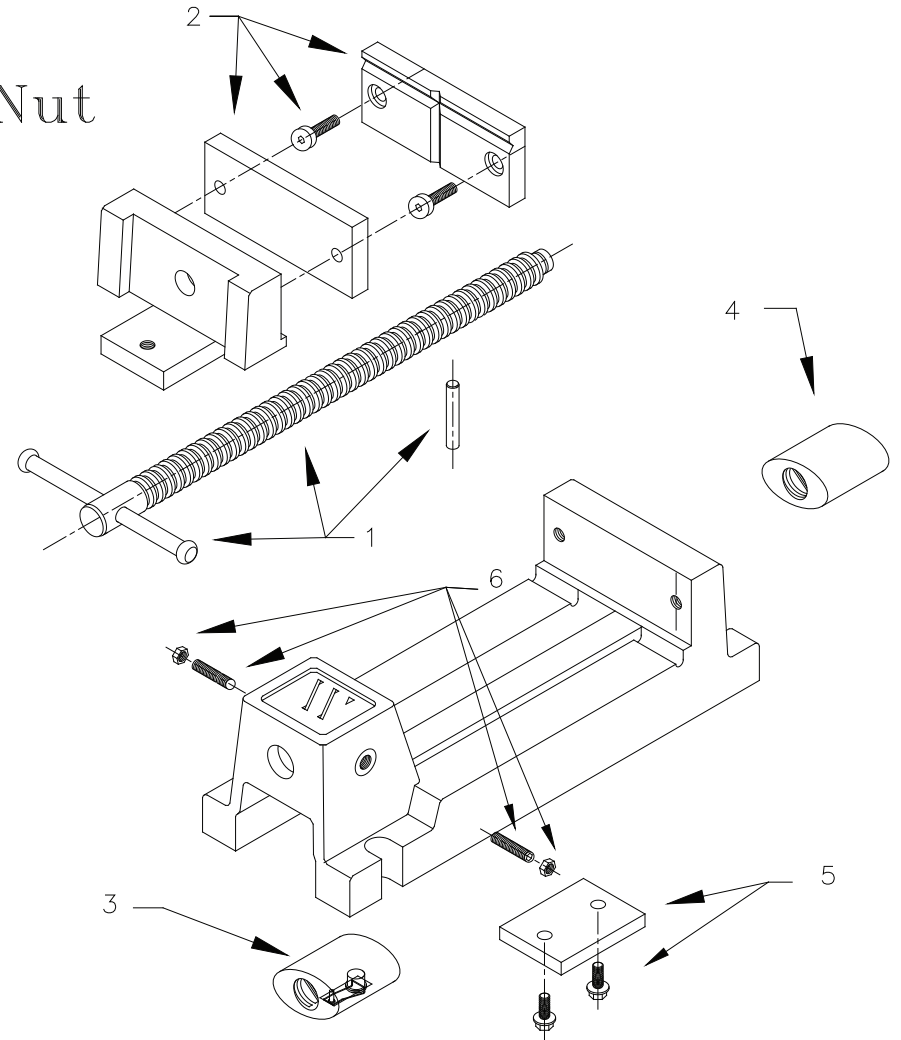
Conventional & Rapid Acting Nut
Replacement Parts

Pre-1999 Models

Available while supplies last



MODEL NUMBER	A	B	C	D	RADIUS
1035	1"	2-7/8	---	---	7/32 R., 2 PLACES
1045	1"	3-5/16	3-3/16	9/32	7/32 R., 4 PLACES
1060	1-1/4	4-3/16	4-1/16	21/32	9/32 R., 4 PLACES
1135	1"	2-7/8	---	---	7/32 R., 2 PLACES
1145	1"	3-5/16	3-3/16	9/32	7/32 R., 4 PLACES
1160	1-1/4	4-3/16	4-1/16	21/32	9/32 R., 4 PLACES



WILTON MODEL NUMBER	BASIC VISE SIZE JAW WIDTH	ITEM #1 SPINDLE WITH PIN	ITEM #2 JAW INSERTS WITH SCREWS	ITEM #3 RAPID NUT ASSEMBLY	ITEM #4 CONVENTIONAL NUT THREAD	ITEM #5 GUIDE PLATE WITH SCREWS	ITEM #6 ADJUSTING SCREWS & NUTS
1035	3-1/2"	2906810	2905640	NONE	1410030	2905700	2905720
1045	4-1/2"	2906820	2905650	NONE	1410040	2905700	2905720
1060	6"	2906830	2905660	NONE	1410100	2905700	2905730
1135	3-1/2"	2906810	2905640	1700390	NONE	2905700	2905720
1145	4-1/2"	2906820	2905650	1700410	NONE	2905700	2905720
1160	6"	2906830	2905660	1700420	NONE	2905700	2905730