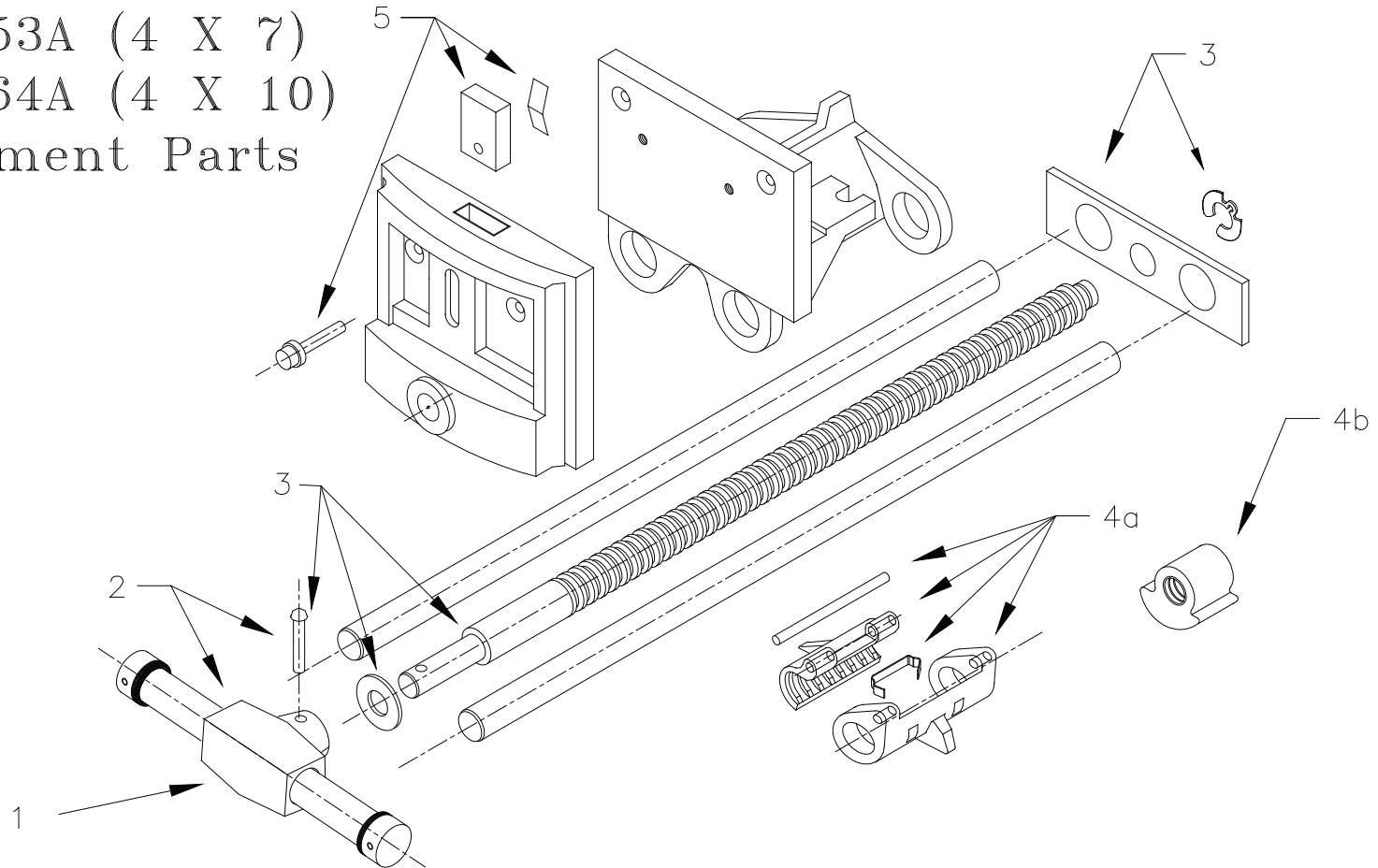


# WOODWORKERS' VISES

51A & 53A (4 X 7)  
 62A & 64A (4 X 10)  
 Replacement Parts



WILTON MODEL NUMBER	BASIC VISE SIZE	ITEM #1 HANDLE ASSEMBLY	ITEM #2 SPINDLE HEAD & PIN	ITEM #3 SPINDLE AND RELATED PARTS	ITEM #4a RAPID NUT ASSEMBLY	ITEM #4b CONTINUOUS NUT	ITEM #5 BENCH DOG ASSEMBLY
51A CONTINUOUS	4 X 7	1611811	2900800	2900810	NOT AVAIL.	1610030	2902240
53A RAPID ACTING	4 X 7	1611811	2900800	2900810	1600290	NOT AVAIL.	2902240
62A CONTINUOUS	4 X 10	1611811	2900800	2900820	NOT AVAIL.	1610030	2902240
64A RAPID ACTING	4 X 10	1611811	2900800	2900820	1600290	NOT AVAIL.	2902240