



SERVICE PARTS LIST

BUL.54-40-3102

ELECTRONICALLY CONTROLLED JIG SAW

REVISED BUL 54-40-3102 DATE Oct., '70

Catalog No. 6280

Starting Serial No. **334-1845**

WIRING INSTR. **58-01-0550**

Both Model and Serial No. must be furnished to obtain correct parts.

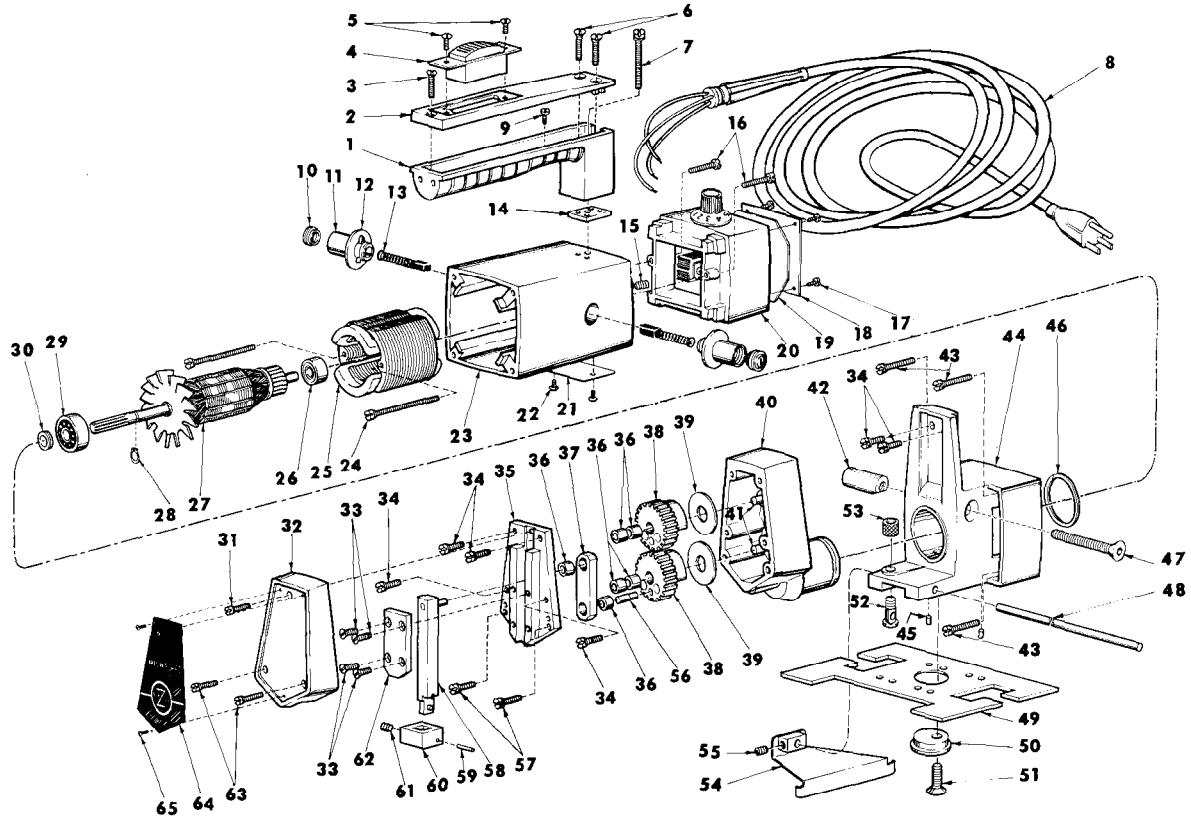


FIG.	PART NO.	DESCRIPTION OF PART	NO. REQ.	FIG.	PART NO.	DESCRIPTION OF PART	NO. REQ.
1	28-44-9261	Switch Handle		34	06-81-6100	8-32x7/16 Fil. Hd. Sem	6
2	28-20-3521	Switch Handle Cover		35	42-24-0181	Spindle Plate Bearing	
3	06-81-3500	6-32x5/8 Oval Hd. Screw		36	02-50-1200	Needle Bearing	6
4	23-66-0310	Switch		37	44-94-0131	Connecting Rod	
5	06-81-8650	6-32x1/4 Round Hd. Sem	2	38	32-48-1001	Mechanism Gear	2
6	06-81-3650	8-32x3/4 Oval Hd. Screw	2	39	45-88-0380	Thrust Washer	2
7	06-81-6550	8-32x1-1/2 Fil. Hd. Sem		40	14-30-0220	Gear Case Assy. (Includes Fig. 41)	
8	22-64-0220	Cord Set		41	44-60-0260	Mechanism Pin	2
9	06-81-8625	6-32x1/4 Ground Screw		42	44-68-0100	Locking Plug	
10	23-44-0020	Brush Retaining Screw	2	43	06-81-6300	8-32x7/8 Fil. Hd. Sem	4
11	22-22-0050	Brush Holder Assy. (Includes Fig. 12)	2	44	14-13-0100	Diaphragm Assy. (Includes Fig. 45)	
12	23-86-0070	Insulating Washer	2	45	06-65-0630	3/16x1/2 Drivlok Pin	2
13	22-18-0270	Carbon Brush	2	46	34-60-2125	Retaining Ring	
14	45-36-0250	Handle Spacer		47	06-81-3125	5/16-18x1-3/4 Skt. Flat Hd. Screw	
*15	06-83-2430	10-32x1/4 Hdls. Skt. Screw	2	48	44-94-0080	Rip Guide Rod	
16	06-81-0675	6-32x7/8 Fil. Hd. Screw	2	49	45-16-0231	Saw Shoe	
17	06-85-0050	4x1/4 Pan Hd. Type B Screw	4	50	45-88-0370	Shoe Adjusting Washer	
18	12-98-6600	Nameplate		51	06-81-3075	5/16-18x3/4 Skt. Flat Hd. Screw	
19	23-16-0280	Insulator		52	45-58-0120	Locking Stud	
20	14-38-0290	Speed Control Housing Assembly		53	44-40-0210	Locking Nut	
21	12-98-5000	Nameplate		54	44-66-0300	Plate Assembly	
22	06-81-4950	4-36x3/16 Truss Hd. Screw	2	55	06-75-1985	8-32x5/16 Skt. Screw	
23	28-50-4981	Motor Housing		56	44-60-0250	Connecting Rod Pin	
24	06-81-5950	6-32x1-7/8 Fil. Hd. Sem	2	57	06-81-6400	8-32x1-1/8 Fil. Hd. Sem	2
*25	18-22-1121	115 Volt Reversing Field		58	38-50-4954	Spindle Assy. (Includes Figs. 59 thru 61)	
26	02-04-0740	Ball Bearing		59	06-65-1510	1/16x5/16 Blade Clamp Retaining Pin	
27	16-22-1190	115 Volt Armature (Includes Fig. 28)		60	42-68-0191	Blade Clamp	
28	34-60-0550	Retaining Ring		61	06-83-2430	10-32x1/4 Hdls. Skt. Screw	
29	02-04-0940	Ball Bearing		62	42-92-0151	Bearing Plate Cover	
30	45-28-0090	Grease Slinger		63	06-81-5850	6-32x5/8 Fil. Hd. Sem	2
31	06-81-5825	6-32x1/2 Fil. Hd. Sem		64	12-75-1900	Nameplate	
32	28-20-1061	Gear Case Cover		65	06-81-4300	3-48x3/16 Round Hd. Screw	3
33	06-81-8050	8-32x3/8 Flat Hd. Sem	4				