



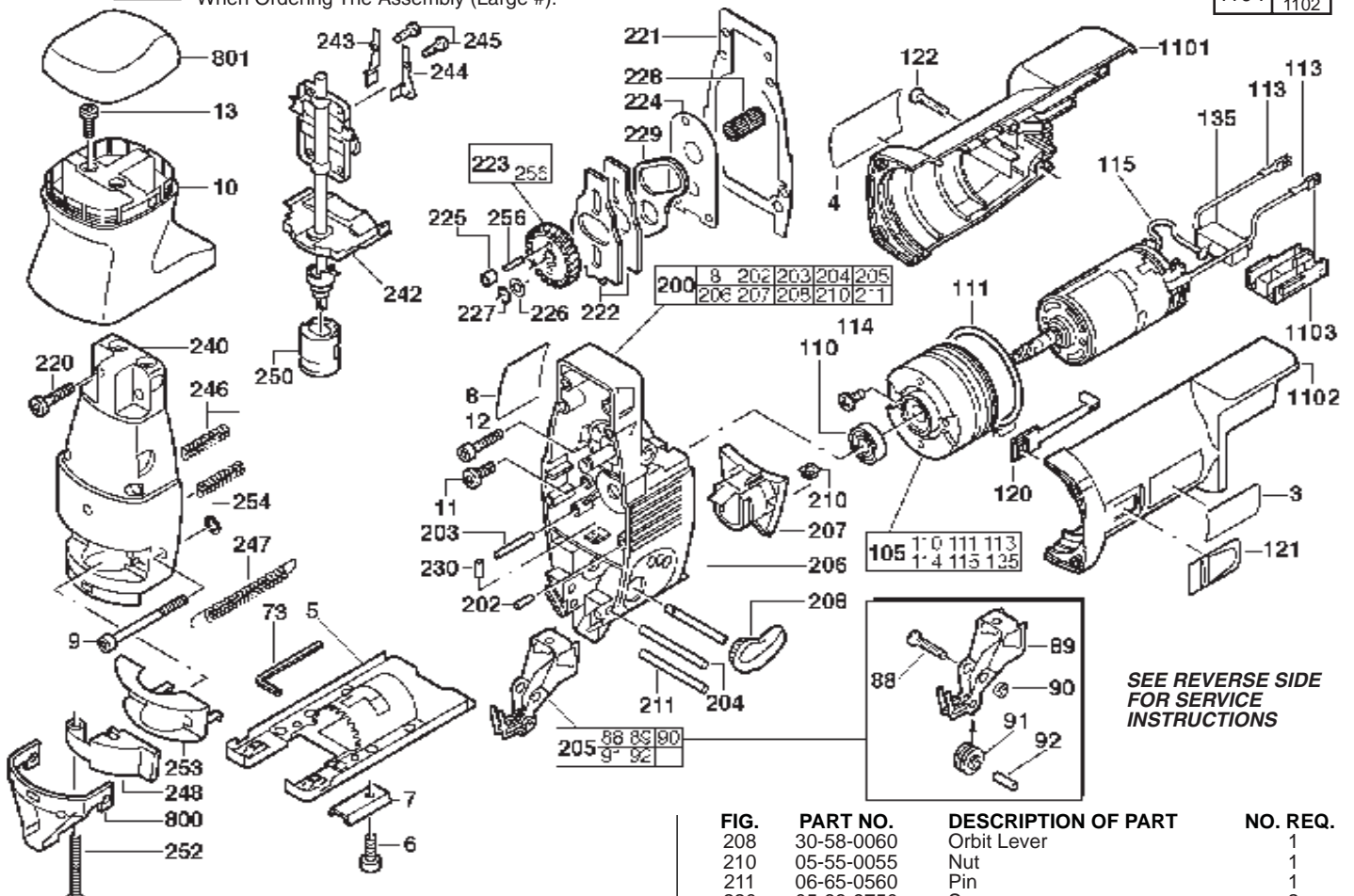
# SERVICE PARTS LIST

**BULLETIN NO.**  
**54-40-0476**

<b>SPECIFY CATALOG NO. AND SERIAL NO. WHEN ORDERING PARTS</b>		REVISED BULLETIN 54-40-0475	DATE May 2007
<b>CORDLESS 12 VOLT ORBITAL JIG SAW</b>			
<b>CATALOG NO.</b>	<b>6267-20</b>	<b>SERIAL NUMBER</b>	<b>910B</b>
		WIRING INSTRUCTION <b>58-01-1110</b>	

**EXAMPLE:**  
Component Parts (Small #) Are Included  
When Ordering The Assembly (Large #).

1104	1101
	1102



**SEE REVERSE SIDE  
FOR SERVICE  
INSTRUCTIONS**

FIG.	PART NO.	DESCRIPTION OF PART	NO. REQ.
3	10-20-1240	Logo Label	1
4	12-20-6267	Service Nameplate	1
5	45-16-0630	Shoe	1
6	05-74-0675	Screw	1
7	44-86-0580	Thrust Piece	1
8	10-15-6001	Warning Label	1
9	05-88-9901	Screw	2
10	43-98-0265	Handle Knob	1
11	05-81-0985	Screw	2
12	05-88-9903	Screw	2
13	05-88-9751	Screw	2
73	49-96-0350	4MM Hex Key	1
88	05-81-0935	Screw	1
89	42-36-1800	Support Bracket	1
90	05-55-0035	Nut	1
91	44-96-0175	Support Roller	1
92	42-40-1025	Bushing	1
105	14-50-0675	Drive Assembly	1
110	02-04-1810	Ball Bearing	1
111	34-40-2010	O-Ring	1
113	23-94-9035	Lead Wire Assembly	2
114	05-81-0980	Screw	2
115	23-94-9025	Lead Wire Assembly	1
120	45-24-0085	Slide	1
121	31-15-0505	Switch Cover	1
122	06-82-7236	Screw	3
135	23-66-1205	Switch	1
200	14-30-0790	Gear Case Complete	1
202	44-60-1500	Pin	2
203	44-60-1510	Pin	1
204	06-65-3735	Support Bracket Pin	1
205	42-36-1785	Support Bracket Complete	1
206	36-10-0830	Cam Shaft	1
207	45-22-0060	Dust Sleeve	1

FIG.	PART NO.	DESCRIPTION OF PART	NO. REQ.
208	30-58-0060	Orbit Lever	1
210	05-55-0055	Nut	1
211	06-65-0560	Pin	1
220	05-88-9750	Screw	2
★221	43-44-1070	Gasket	1
222	42-87-0120	Counter Balance	2
223	32-30-0131	Gear Assembly	1
224	44-66-6165	Spacer Plate	1
225	02-50-9996	Needle Bearing	1
226	45-88-8600	Washer	1
227	34-60-3670	Ring	1
228	02-50-9990	Needle Bearing	1
229	42-09-0140	Rocker Arm	1
230	44-60-1420	Linkage Pin	1
240	14-38-0670	Gear Case Cover	1
242	38-50-6051	Spindle Assembly	1
243	42-68-1010	Clamp, Right	1
244	42-68-1020	Clamp, Left	1
245	05-88-9751	Screw	2
246	40-50-8790	Pressure Spring	2
247	40-50-8800	Tension Spring	1
248	44-10-0350	Blade Clamp Lever	1
250	45-22-0530	Index Sleeve	1
252	05-88-9752	Screw	1
253	45-03-0160	Screen	1
254	44-90-4390	Ring	1
256	44-60-1506	Pin	1
800	45-12-0530	Front Shield	1
801	31-12-0240	Handle Cap	1
★1101	-----	Motor Housing Right	1
★1102	-----	Motor Housing Left	1
1103	22-56-0825	Terminal Housing	1
★1104	31-50-1450	Motor Housing Kit	1

**FIG. LUBRICATION**  
200 3/4 Oz. Type "L" Grease, No. 49-08-4170.

**MILWAUKEE ELECTRIC TOOL CORPORATION**  
13135 W. LISBON RD., BROOKFIELD, WI 53005  
Dwg. 3