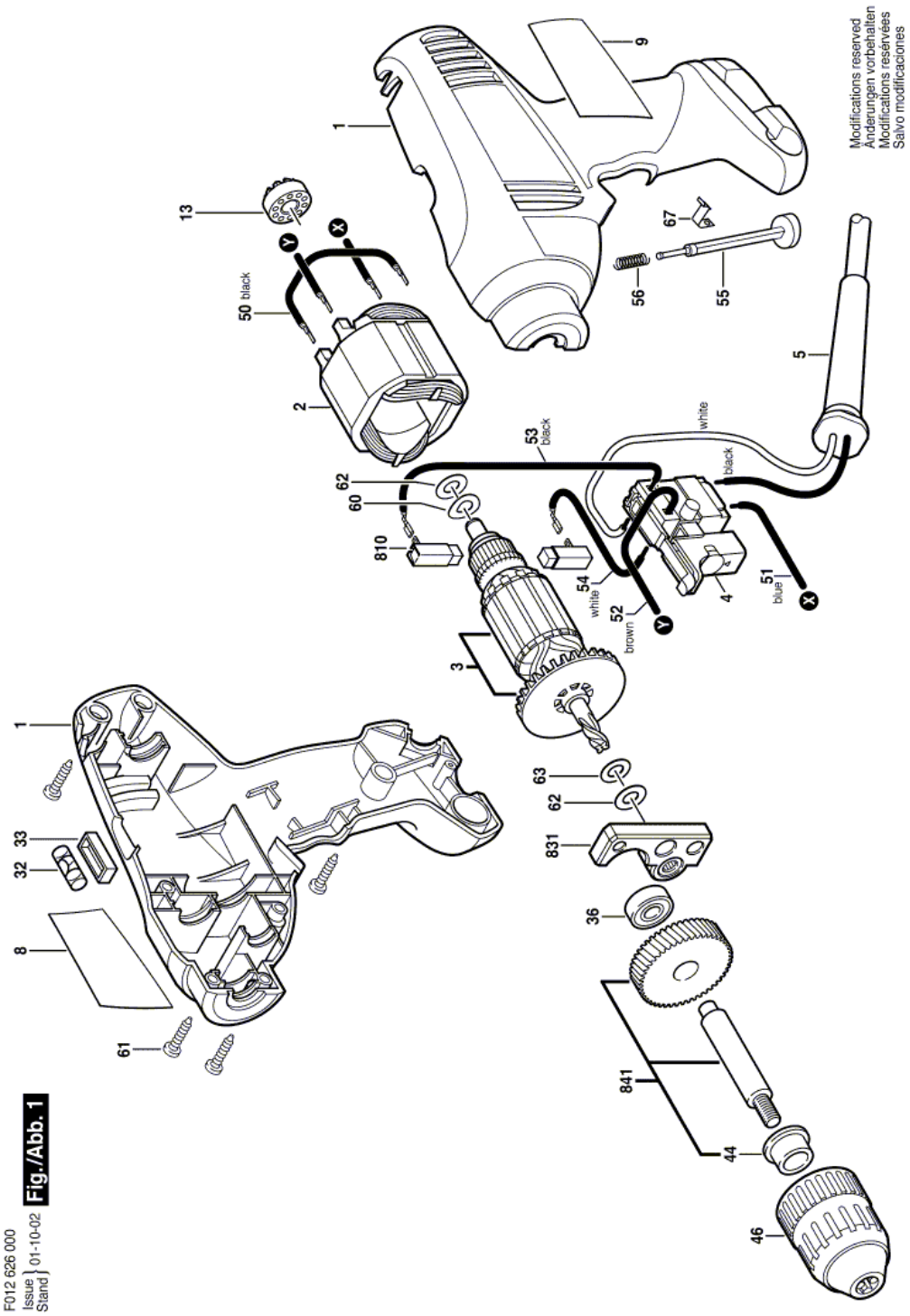


## Drill - F 012 626 000 - 6260

Item	Part Number	Description	Illustration	Price	Quantity	Price Group
1	2 610 909 082	Motor Housing	1	-,-	1	-
2	2 610 967 181	Pole Shoe 120V	1	-,-	1	-
3	2 610 967 172	Armature With Fan 120V	1	-,-	1	-
4	2 610 910 278	Switch	1	-,-	1	-
5	1 619 X00 506	Power supply cord	1	-,-	1	-
8	2 610 912 493	Nameplate	1	-,-	1	-
9	2 610 912 494	Reference Plate	1	-,-	1	-
13	2 610 967 219	Bushing	1	-,-	1	-
32	2 610 967 204	Bubble Level	1	-,-	1	11
33	2 610 967 205	Support	1	-,-	1	-
36	1 619 P01 511	Ball Bearing	1	-,-	1	19
44	2 610 967 161	Sintered-Metal Bushing	1	-,-	1	-
46	2 610 908 303	Chuck 3/8"	1	-,-	1	32
50	2 610 967 175	Cable 135 MM	1	-,-	1	-
51	2 610 912 416	Cable	1	-,-	1	-
52	2 610 912 417	Cable	1	-,-	1	-
53	2 610 912 434	Cable	1	-,-	1	-
54	2 610 320 494	Connecting Wire 50 MM	1	-,-	1	11
55	2 610 909 084	Locking Lever	1	-,-	1	-
56	2 610 967 239	Compression Spring	1	-,-	1	-
60	2 610 026 126	Washer	1	-,-	1	11
61	1 619 X00 504	Screw	1	-,-	7	10
62	2 610 027 396	Washer	1	-,-	2	11
63	2 610 029 973	Washer	1	-,-	1	-
67	2 610 909 083	Spring Clip	1	-,-	1	-
810	2 610 967 197	Carbon-Brush Set	1	-,-	1	21
831	2 610 967 164	Bearing Block	1	-,-	1	-
841	2 610 912 450	Spindle	1	-,-	1	-

Illustration - Type E



Information subject to change without further notice.