



# SERVICE PARTS LIST

**BULLETIN NO.**  
54-40-0220

SPECIFY CATALOG NO. AND SERIAL NO. WHEN ORDERING PARTS		REVISED BULLETIN	DATE
<b>D.I. VARIABLE SPEED JIG SAW</b>			June '84
<b>CATALOG NO. 6255</b>	<b>STARTING SERIAL NO. 696-1001</b>	<b>WIRING INSTRUCTION</b>	
		<b>58-01-0092</b>	

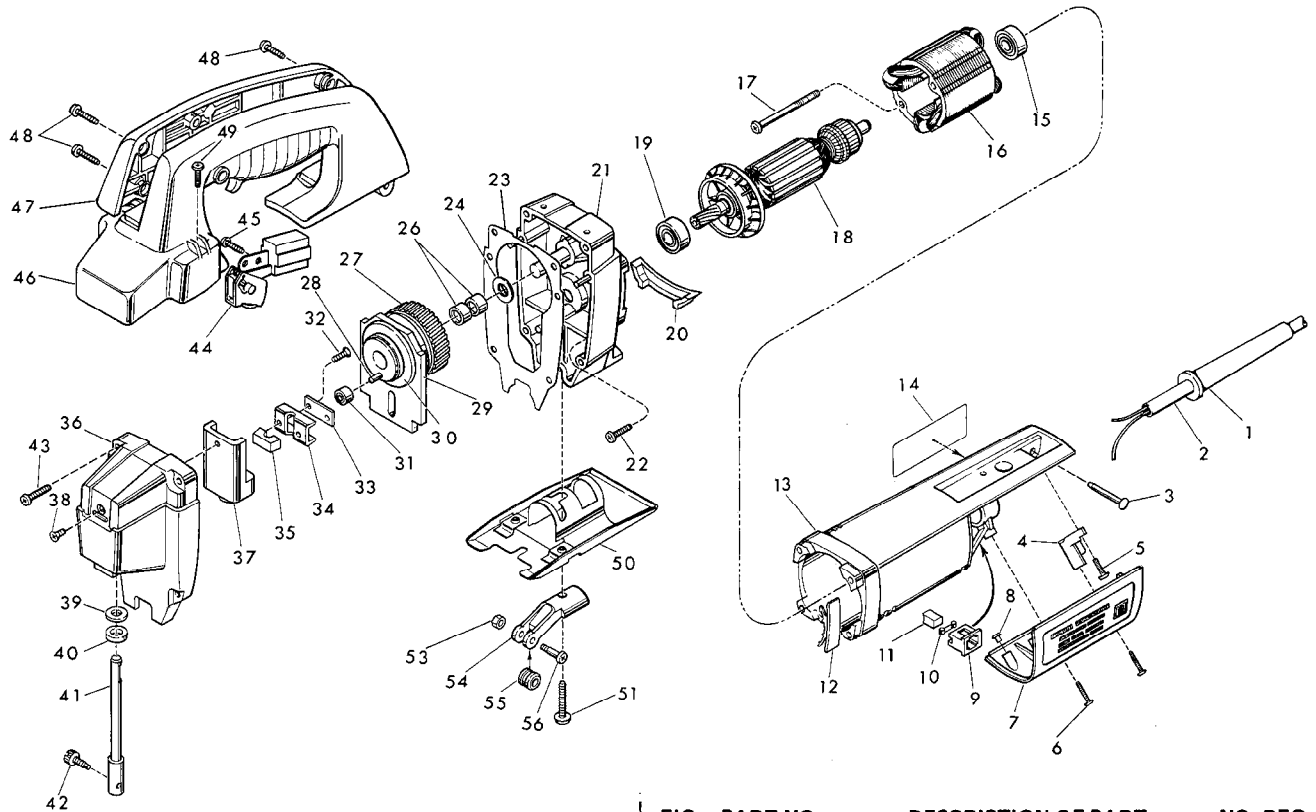


FIG.	PART NO.	DESCRIPTION OF PART	NO. REQ.
	1	44-76-0110 Cord Protector	(1)
	2	22-64-0215 Cord Set	(1)
	3	06-72-0810 Tapered Rivet	(1)
	4	31-17-0120 Cord Clamp	(1)
	5	06-95-0216 8-16 x 5/8" Plastite Screw	(2)
	6	06-95-0216 8-16 x 5/8" Plastite Screw	(2)
	7	31-15-0280 Cover	(1)
	8	42-38-0180 Rubber Bumper	(2)
	9	22-20-0450 Brush Holder	(2)
	10	23-52-0190 Brush Spring	(2)
	11	22-16-0275 Carbon Brush	(2)
	12	31-15-0300 Vent Cover	(1)
	13	31-50-0310 Motor Housing	(1)
	14	12-75-1876 Service Nameplate	(1)
	15	02-04-0850 Ball Bearing	(1)
	16	18-07-0040 120 V. Field	(1)
	17	06-95-3290 8-16 x 1-7/8" Plastite Screw	(2)
	18	16-07-0035 120 V. Armature With 22-84-0680 Fan	(1)
	19	02-04-0847 Ball Bearing	(1)
	20	31-05-0160 Air Baffle Insert	(1)
	21	14-30-0410 Gear Case Assembly	(1)
	22	06-95-0216 8-16 x 5/8" Plastite Screw	(4)
	23	43-44-0700 Gasket	(1)
	24	45-88-0480 Bronze Washer	(1)
	25	32-30-0011 Drive Gear Assy. (Incl. Fig. Nos. 26 thru 30)	(1)
	26	02-50-2423 Roller Bearing	(2)
	27	32-30-0010 Drive Gear	(1)
	28	06-65-1572 Pin	(1)

FIG.	PART NO.	DESCRIPTION OF PART	NO. REQ.
	29	42-87-0070 Counter Balance	(1)
	30	44-86-0335 Counter Balance Retainer	(1)
	31	44-96-0080 Roller Assembly	(1)
	32	06-81-2505 6-32 x 7/16" Flat Hd. Screw	(2)
	33	44-66-5390 Clamp Plate	(1)
	34	45-98-0185 Yoke	(1)
	35	42-68-0450 Clamp	(1)
	36	14-38-0350 Front Housing Assy. (Incl. Fig. Nos. 37 thru 40)	(1)
	37	42-40-0595 Spindle Bearing	(1)
	38	06-81-8040 6-32 x 3/8" Flat Hd. Sems	(1)
	39	45-88-1030 Felt/Rubber Washer	(1)
	40	Front Housing Insert	(1)
	41	38-50-5610 Spindle Assembly	(1)
	42	45-04-0560 Blade Clamp Screw	(1)
	43	06-95-0228 8-32 x 3/4" Pan Hd. Taptite Screw	(4)
	44	23-66-0967 Switch w/Lock Button	(1)
	45	06-95-0700 8-32 x 1/2" Pan Hd. Taptite Screw	(1)
	46	31-44-1230 Handle Half - Left	(1)
	47	31-44-1220 Handle Half - Right	(1)
	48	06-95-0216 8-16 x 5/8" Plastite Screw	(4)
	49	06-95-0700 8-32 x 1/2" Pan Hd. Taptite Screw	(2)
	50	45-16-0510 Swivel Shoe Assembly	(1)
	51	06-81-0497 1/4-20 x 1" Pan Hd. Screw	(1)
	52	43-56-0360 Blade Guide Assy. (Incl. Fig. 53 thru 56)	(1)
	53	06-57-6058 6-32 Lock Nut	(1)
	54	28-10-0720 Blade Roller Casting	(1)
	55	43-56-0380 Blade Roller	(1)
	56	45-04-0610 Shoulder Screw	(1)