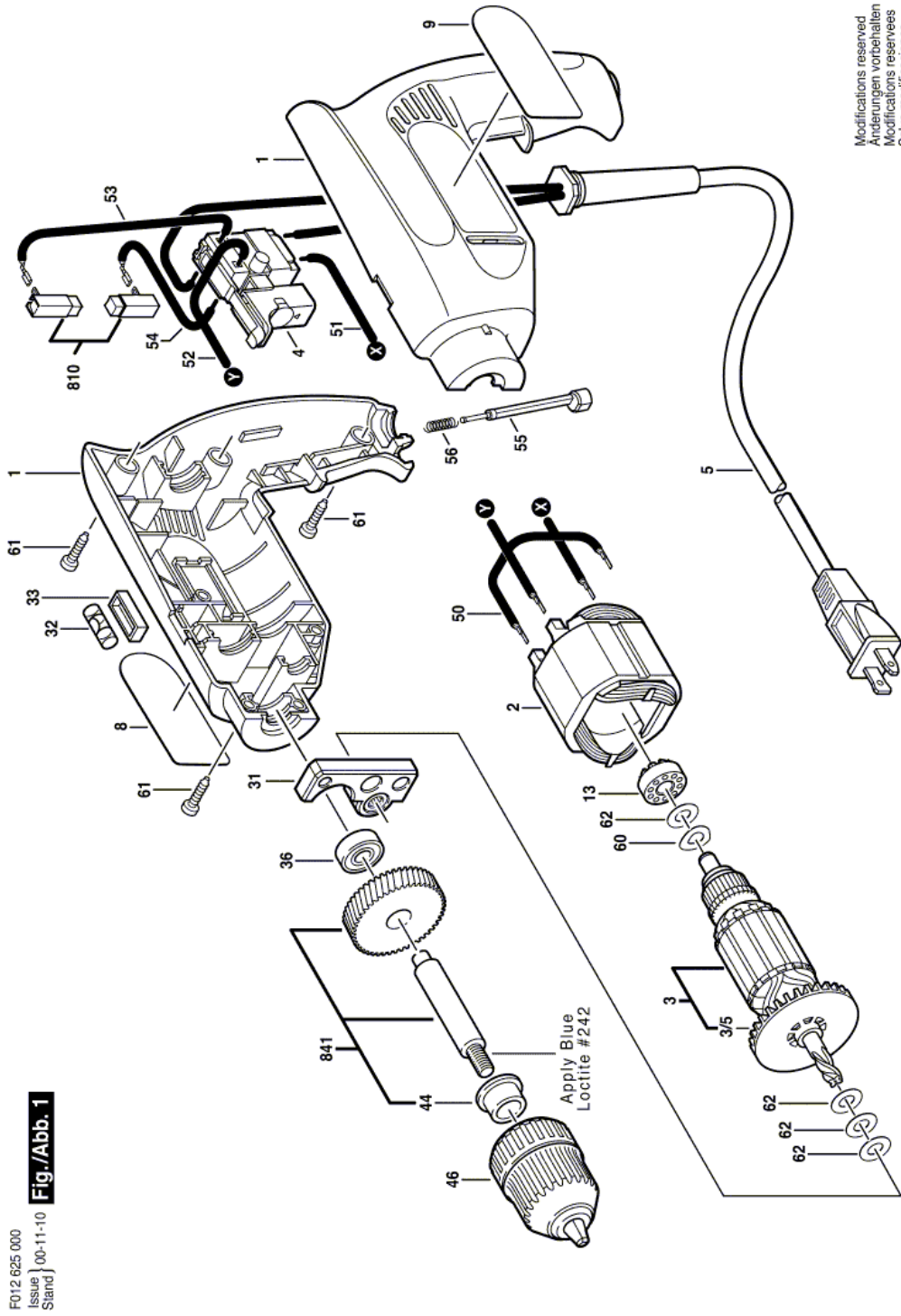


10.08.2015 |

Drill - F 012 625 000 - 6250

Item	Part Number	Description	Illustration	Price	Quantity	Price Group
1	2 610 967 150	Housing Set	1	-,-	1	-
2	2 610 967 181	Pole Shoe 120V	1	-,-	1	-
3	2 610 967 172	Armature With Fan 120V	1	-,-	1	-
3/5	2 610 910 302	Fan	1	-,-	1	-
4	2 610 967 153	On-Off Switch	1	-,-	1	-
5	1 619 X00 506	Power supply cord	1	-,-	1	-
8	2 610 993 034	Nameplate	1	-,-	1	-
9	2 610 968 285	Label	1	-,-	1	-
13	2 610 967 219	Bushing	1	-,-	1	-
31	2 610 967 164	Bearing Block	1	-,-	1	-
32	2 610 967 204	Bubble Level	1	-,-	1	11
33	2 610 967 152	Support	1	-,-	1	10
36	1 619 P01 511	Ball Bearing	1	-,-	1	19
44	2 610 967 161	Sintered-Metal Bushing	1	-,-	1	-
46	2 610 908 303	Chuck 3/8"	1	-,-	1	32
50	2 610 967 175	Cable 135 MM	1	-,-	1	-
51	2 610 967 176	Cable 165 MM	1	-,-	1	-
52	2 610 967 177	Cable 140 MM	1	-,-	1	-
53	2 610 039 904	Connecting Wire 130 MM BLACK	1	-,-	1	11
54	2 610 320 494	Connecting Wire 50 MM	1	-,-	1	11
55	2 610 967 151	Actuator	1	-,-	1	-
56	2 610 967 228	Compression Spring	1	-,-	1	-
60	2 610 026 126	Washer	1	-,-	1	11
61	1 619 X00 504	Screw	1	-,-	7	10
62	2 610 027 396	Washer	1	-,-	4	11
810	2 610 967 197	Carbon-Brush Set	1	-,-	1	21
841	2 610 967 168	Drilling Spindle	1	-,-	1	-

Illustration - Type E



Information subject to change without further notice.