



SERVICE PARTS LIST

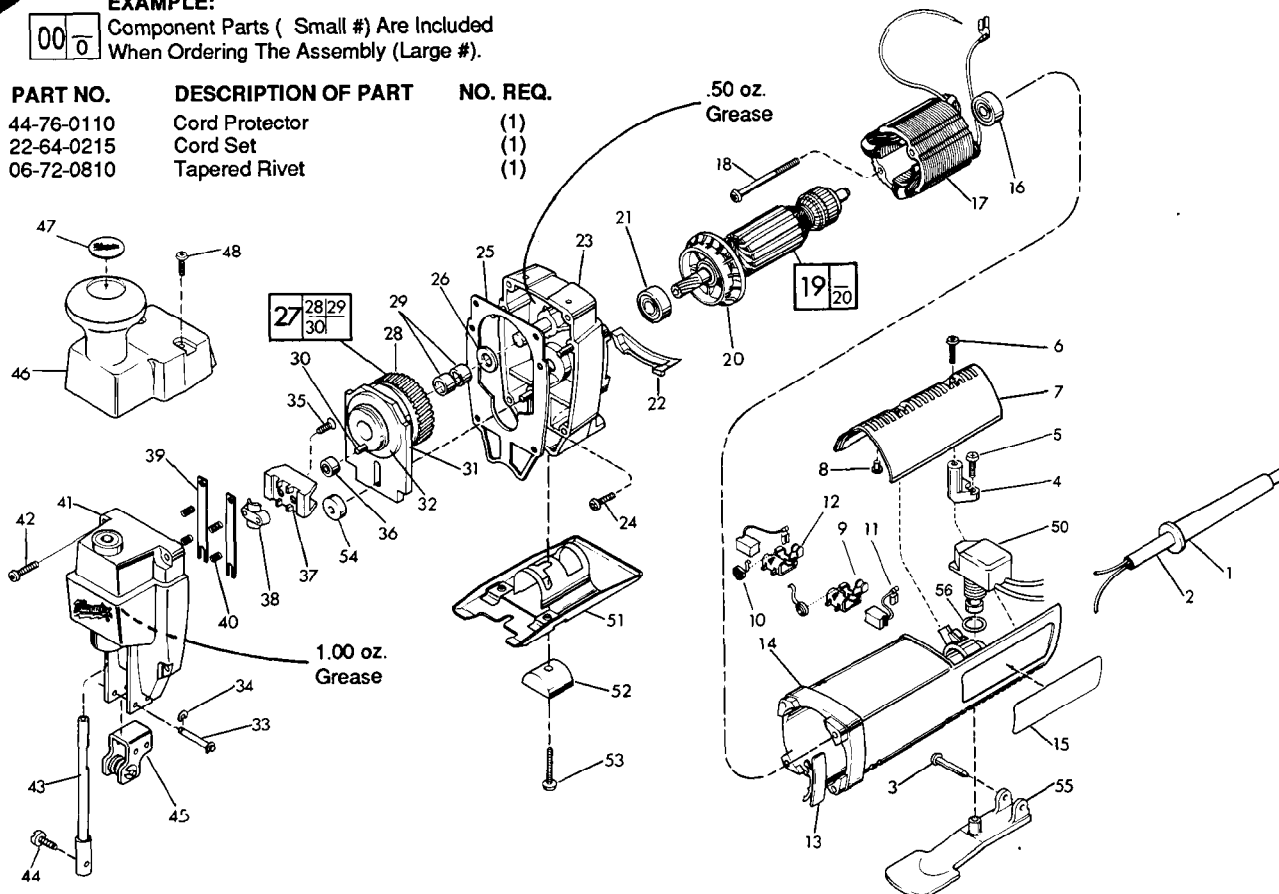
**BULLETIN NO.
54-40-0343**

| | | | |
|--|---------------------|---|-----------------|
| SPECIFY CATALOG NO. AND SERIAL NO. WHEN ORDERING PARTS | | REVISED BULLETIN 54-40-0342 | DATE Mar.'93 |
| D.I. TOP KNOB JIG SAW | | | |
| CATALOG NO. 6246 | STARTING SERIAL NO. | 750A | |
| | | WIRING INSTRUCTION 58-01-0309 | |



EXAMPLE:
Component Parts (Small #) Are Included
When Ordering The Assembly (Large #).

| FIG. | PART NO. | DESCRIPTION OF PART | NO. REQ. |
|------|------------|---------------------|----------|
| 1 | 44-76-0110 | Cord Protector | (1) |
| 2 | 22-64-0215 | Cord Set | (1) |
| 3 | 06-72-0810 | Tapered Rivet | (1) |



| | | | |
|------|------------|---------------------------------|-----|
| 4 | 31-17-0120 | Cord Clamp | (1) |
| 5 | 06-82-7270 | 8-16x5/8" Plastite T-20 Screw | (2) |
| 6 | 06-82-7270 | 8-16x5/8" Plastite T-20 Screw | (2) |
| 7 | 31-15-0140 | Cover | (1) |
| 8 | 42-38-0181 | Rubber Bumper | (2) |
| 9 | 22-20-0691 | L. H. Brush Holder | (1) |
| 10 | 23-52-0240 | Brush Spring | (2) |
| 11 | 22-18-0710 | Carbon Brush Assembly | (2) |
| 12 | 22-20-0692 | R. H. Brush Holder | (1) |
| 13 | 31-15-0300 | Vent Cover | (1) |
| 14 | 31-50-0310 | Motor Housing | (1) |
| ★ 15 | 12-20-0520 | Service Nameplate Kit | (1) |
| 16 | 02-04-0850 | Ball Bearing | (1) |
| 17 | 18-07-0035 | 120 V. Field | (1) |
| 18 | 06-82-7410 | 8-16x1-7/8" Plastite T-20 Screw | (2) |
| 19 | 16-07-0036 | 120 V. Armature | (1) |
| 20 | 22-84-0680 | Fan | (1) |
| 21 | 02-04-0849 | Ball Bearing | (1) |
| 22 | 31-05-0161 | Air Deflector | (1) |
| 23 | 14-30-0411 | Gear Case Assembly | (1) |
| 24 | 06-82-7270 | 8-16x5/8" Plastite T-20 Screw | (4) |
| 25 | 43-44-0701 | Gasket | (1) |
| 26 | 45-88-0480 | Bronze Washer | (1) |
| 27 | 32-30-0011 | Drive Gear Assembly | (1) |
| 28 | 32-30-0010 | Drive Gear | (1) |
| 29 | 02-50-2423 | Roller Bearing | (2) |
| 30 | 06-65-1572 | Pin | (1) |
| 31 | 42-87-0071 | Counter Balance | (1) |
| 32 | 44-86-0335 | Counter Balance Retainer | (1) |
| 33 | 06-65-0870 | Bracket Pin | (2) |
| 34 | 34-60-0300 | Retaining Ring | (4) |
| 35 | 06-82-0970 | 8-32x3/8" Flat Hd. T-15 Screw | (2) |
| 36 | 44-96-0080 | Roller Assembly | (1) |
| 37 | 45-98-0181 | Yoke | (1) |
| 38 | 42-68-0451 | Yoke Clamp | (1) |

| | | | |
|------|------------|---------------------------------|----------|
| FIG. | PART NO. | DESCRIPTION OF PART | NO. REQ. |
| 39 | 44-81-0010 | Rail | (2) |
| 40 | 40-50-8015 | Coil Spring | (4) |
| 41 | 14-38-0460 | Front Housing Assembly | (1) |
| 42 | 06-82-5346 | 8-32x3/4" Tapitite T-20 Screw | (4) |
| 43 | 38-50-5760 | Spindle Assembly | (1) |
| 44 | 45-04-0566 | Blade Clamp Screw | (1) |
| 45 | 42-36-1640 | Roller Bracket Assembly | (1) |
| 46 | 43-62-1000 | Auxiliary Handle | (1) |
| 47 | 10-75-2760 | Label | (1) |
| 48 | 06-82-5316 | 8-32x1/2" Tapitite T-20 Screw | (2) |
| 50 | 23-66-2170 | Switch | (1) |
| 51 | 45-16-0510 | Swivel Shoe Assembly | (1) |
| 52 | 44-86-0440 | Shoe Retainer | (1) |
| 53 | 06-81-0507 | 1/4-20x3/4" Slit. Pan Hd. Screw | (1) |
| 54 | 45-36-1370 | Spacer | (1) |
| 55 | 31-92-0225 | Trigger Paddle | (1) |
| 56 | 34-40-4015 | O-Ring | (1) |

FIG. LUBRICATION
23 .50 Oz. Type "F" Grease, No. 49-08-4160.
41 1.00 Oz. Type "F" Grease, No. 49-08-4160.

FIG. NOTES
35 Torque To 28-32 In./Lbs.

MILWAUKEE ELECTRIC TOOL CORPORATION
13135 W. LISBON RD., BROOKFIELD, WI 53005