



SERVICE PARTS LIST

BULLETIN NO.
54-40-0340

SPECIFY CATALOG NO. AND SERIAL NO. WHEN ORDERING PARTS		REVISED BULLETIN	DATE
D.I. TOP KNOB JIG SAW			Aug. '87
CATALOG NO.	6246	STARTING SERIAL NO.	750-1001
			WIRING INSTRUCTION
			58-01-0306

EXAMPLE:

00₀ Component Parts (Small #) Are Included When Ordering The Assembly Part (Large #).

FIG.	PART NO.	DESCRIPTION OF PART	NO. REQ.
1	44-76-0110	Cord Protector	(1)
2	22-64-0215	Cord Set	(1)
3	06-72-0810	Tapered Rivet	(1)

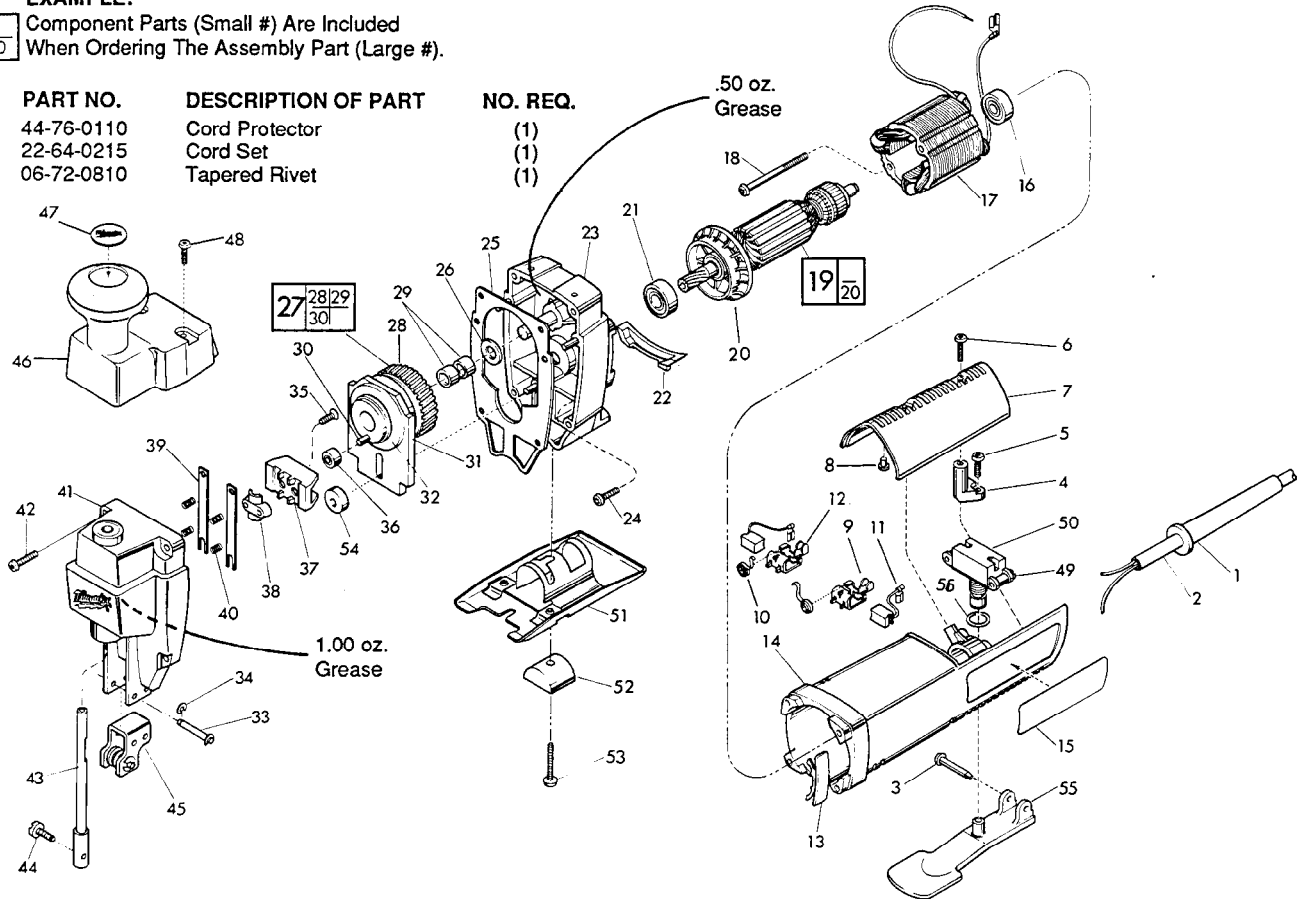


FIG.	PART NO.	DESCRIPTION OF PART	NO. REQ.
4	31-17-0120	Cord Clamp	(1)
5	06-82-7270	8-16x5/8" Torx Plastite Screw	(2)
6	06-82-7270	8-16x5/8" Torx Plastite Screw	(2)
7	31-15-0140	Cover	(1)
8	42-38-0181	Rubber Bumper	(2)
9	22-20-0691	L. H. Brush Holder	(1)
10	23-52-0240	Brush Spring	(2)
11	22-18-0710	Carbon Brush Assembly	(2)
12	22-20-0692	R. H. Brush Holder	(1)
13	31-15-0300	Vent Cover	(1)
14	31-50-0310	Motor Housing	(1)
15	12-75-1877	Service Nameplate	(1)
16	02-04-0850	Ball Bearing	(1)
17	18-07-0035	120 V. Field	(1)
18	06-82-7410	8-16x1-7/8" Torx Plastite Screw	(2)
19	16-07-0036	120 V. Armature	(1)
20	22-84-0680	Fan	(1)
21	02-04-0847	Ball Bearing	(1)
22	31-05-0161	Air Deflector	(1)
23	14-30-0411	Gear Case Assembly	(1)
24	06-82-7270	8-16x5/8" Torx Plastite Screw	(4)
25	43-44-0701	Gasket	(1)
26	45-88-0480	Bronze Washer	(1)
27	32-30-0011	Drive Gear Assembly	(1)
28	32-30-0010	Drive Gear	(1)
29	02-50-2423	Roller Bearing	(2)
30	06-65-1572	Pin	(1)
31	42-87-0071	Counter Balance	(1)
32	44-86-0335	Counter Balance Retainer	(1)
33	06-65-0870	Bracket Pin	(2)
34	34-60-0300	Retaining Ring	(4)
35	06-82-0970	8-32x3/8" Flat Hd. Torx Screw	(2)
36	44-96-0080	Roller Assembly	(1)
37	45-98-0181	Yoke	(1)
38	42-68-0451	Yoke Clamp	(1)

FIG.	PART NO.	DESCRIPTION OF PART	NO. REQ.
39	44-81-0010	Rail	(2)
40	40-50-8015	Coil Spring	(4)
41	14-38-0460	Front Housing Assembly	(1)
42	06-82-5346	8-32x3/4" Torx Taptite Screw	(4)
43	38-50-5680	Spindle Assembly	(1)
44	45-04-0566	Blade Clamp Screw	(1)
45	42-36-1580	Roller Bracket Assembly	(1)
46	43-62-1000	Auxiliary Handle	(1)
47	10-75-2760	Label	(1)
48	06-82-5316	8-32x1/2" Torx Taptite Screw	(2)
49	06-95-0125	Switch Terminal Screw	(2)
50	23-66-1170	Switch	(1)
51	45-16-0510	Swivel Shoe Assembly	(1)
52	44-86-0440	Shoe Retainer	(1)
53	06-81-0507	1/4-20x3/4" Slit. Pan Hd. Screw	(1)
54	45-36-1370	Spacer	(1)
55	31-92-0225	Trigger Paddle	(1)
56	34-40-4015	O-Ring	(1)

FIG. LUBRICATION

23 .50 Oz. Type "F" Grease, 49-08-4160.

41 1.00 Oz. Type "F" Grease, 49-08-4160.

FIG. NOTES

35 Torque To 28-32 in./lbs.