



SERVICE PARTS LIST

BULLETIN NO.
54-40-0130

SPECIFY CATALOG NO. AND SERIAL NO. WHEN ORDERING PARTS		REVISED BULLETIN	DATE
D.I. JIG SAW			Aug. '84
CATALOG NO. 6245	STARTING SERIAL NO. 685-1001	WIRING INSTRUCTION 58-01-0308	
CAT. NO.	START SER. NO.	BILINGUAL LABEL	

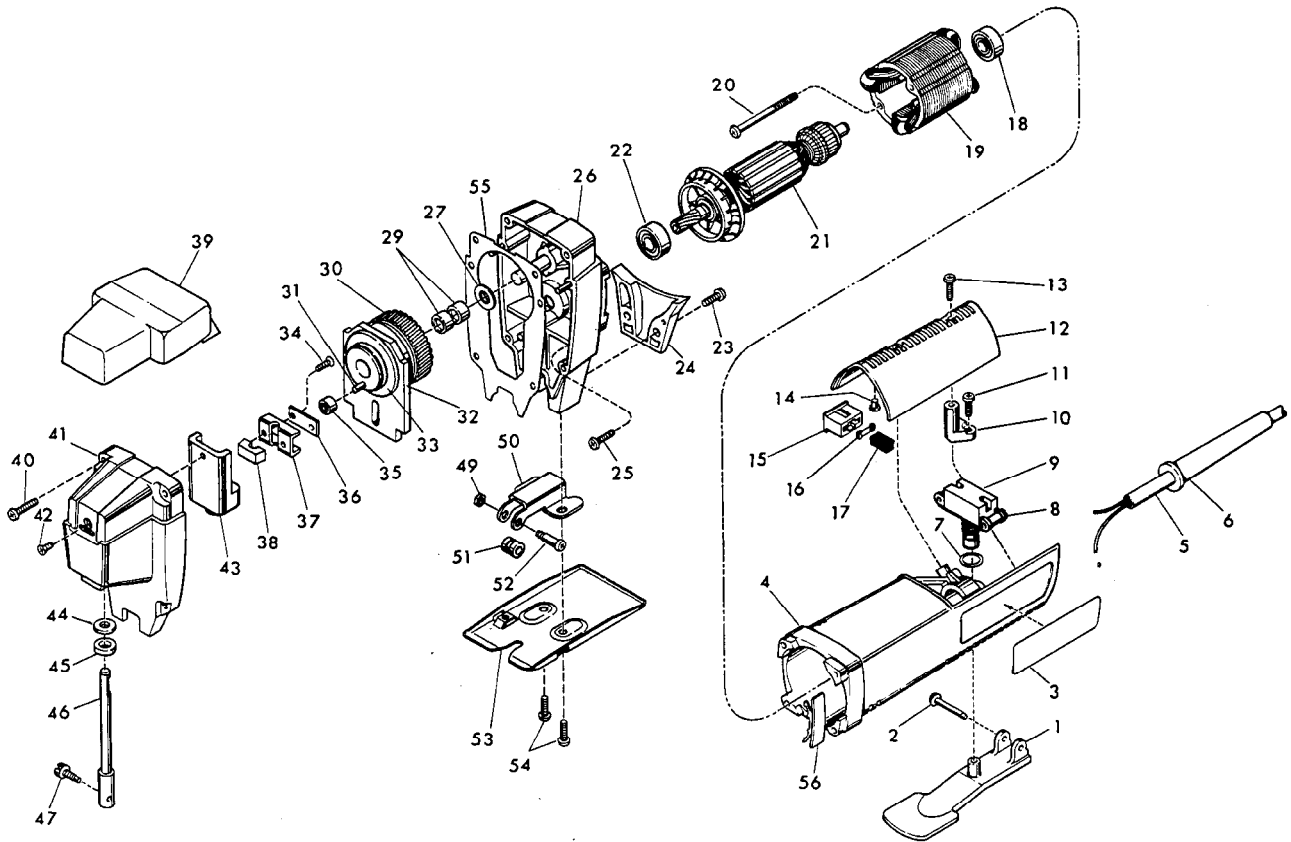


FIG.	PART NO.	DESCRIPTION OF PART	NO. REQ.	FIG.	PART NO.	DESCRIPTION OF PART	NO. REQ.
1	31-92-0225	Trigger Paddle	(1)	29	02-50-2423	Roller Bearing	(2)
2	06-72-0810	Tapered Rivet	(1)	30	32-30-0010	Drive Gear	(1)
3	12-75-1876	Service Nameplate	(1)	31	06-65-1572	Pin	(1)
4	31-50-0310	Motor Housing	(1)	32	42-87-0070	Counter Balance	(1)
5	22-64-0215	Cord Set	(1)	33	44-86-0335	Counter Balance Retainer	(1)
6	44-76-0110	Cord Protector	(1)	34	06-81-2505	6-32 x 7/16" Flat Hd. Screw	(2)
7	34-40-4015	O-Ring	(1)	35	44-96-0080	Roller Bearing Assembly	(1)
8	06-95-0125	Switch Terminal Screw	(2)	36	44-66-5390	Clamp Plate	(1)
9	23-66-1170	Switch	(1)	37	45-98-0185	Yoke	(1)
10	31-17-0120	Cord Clamp	(1)	38	42-68-0450	Clamp	(1)
11	06-95-0216	8-16 x 5/8" Plastite Screw	(2)	39	31-15-0220	Insulating Cover	(1)
12	31-15-0140	Cover	(1)	40	06-95-0228	8-32 x 3/4" Pan Hd. Screw	(4)
13	06-95-0216	8-16 x 5/8" Plastite Screw	(2)	41	14-38-0350	Front Housing Assy. (Incl. Ref. Nos. 42 thru 45)	(1)
14	42-38-0180	Rubber Bumper	(2)	42	06-81-8040	6-32 x 3/8" Flat Hd. Sems	(1)
15	22-20-0450	Brush Holder	(2)	43	42-40-0595	Spindle Bearing	(1)
16	23-52-0190	Brush Spring	(2)	44	45-88-1030	Felt/Rubber Washer	(1)
17	22-16-0275	Carbon Brush	(2)	45	-	Front Housing Insert	(1)
18	02-04-0850	Ball Bearing	(1)	46	38-50-5610	Spindle Assembly	(1)
19	18-07-0030	120V Field	(1)	47	45-04-0565	Blade Clamp Screw	(1)
20	06-95-3290	8-16 x 1-7/8" Plastite Screw	(2)	48	44-66-5400	Blade Guide Assy. (Includes Ref. Nos. 49 thru 52)	(1)
21	16-07-0035	120V Armature (Includes 22-84-0680 Fan)	(1)	49	06-57-6058	6-32 Lock Nut	(1)
22	02-04-0847	Ball Bearing	(1)	50	42-36-1325	Blade Roller Bracket	(1)
23	06-95-0338	10-24 x 1/2" Phil. Hd. Screw	(2)	51	43-56-0380	Blade Roller	(1)
24	31-05-0150	Air Baffle	(1)	52	45-04-0610	Shoulder Screw	(1)
25	06-95-0216	8-16 x 5/8" Plastite Screw	(4)	53	45-16-0425	Saw Shoe	(1)
26	28-14-1750	Gear Case Assembly	(1)	54	06-95-0338	10-24 x 1/2" Phil Hd. Screw	(2)
27	45-88-0480	Bronze Washer	(1)	55	43-44-0700	Gasket	(1)
28	32-30-0011	Drive Gear Assy. (Incl. Ref. Nos. 29 thru 33)	(1)	56	31-15-0300	Vent Cover	(1)