



# SERVICE PARTS LIST

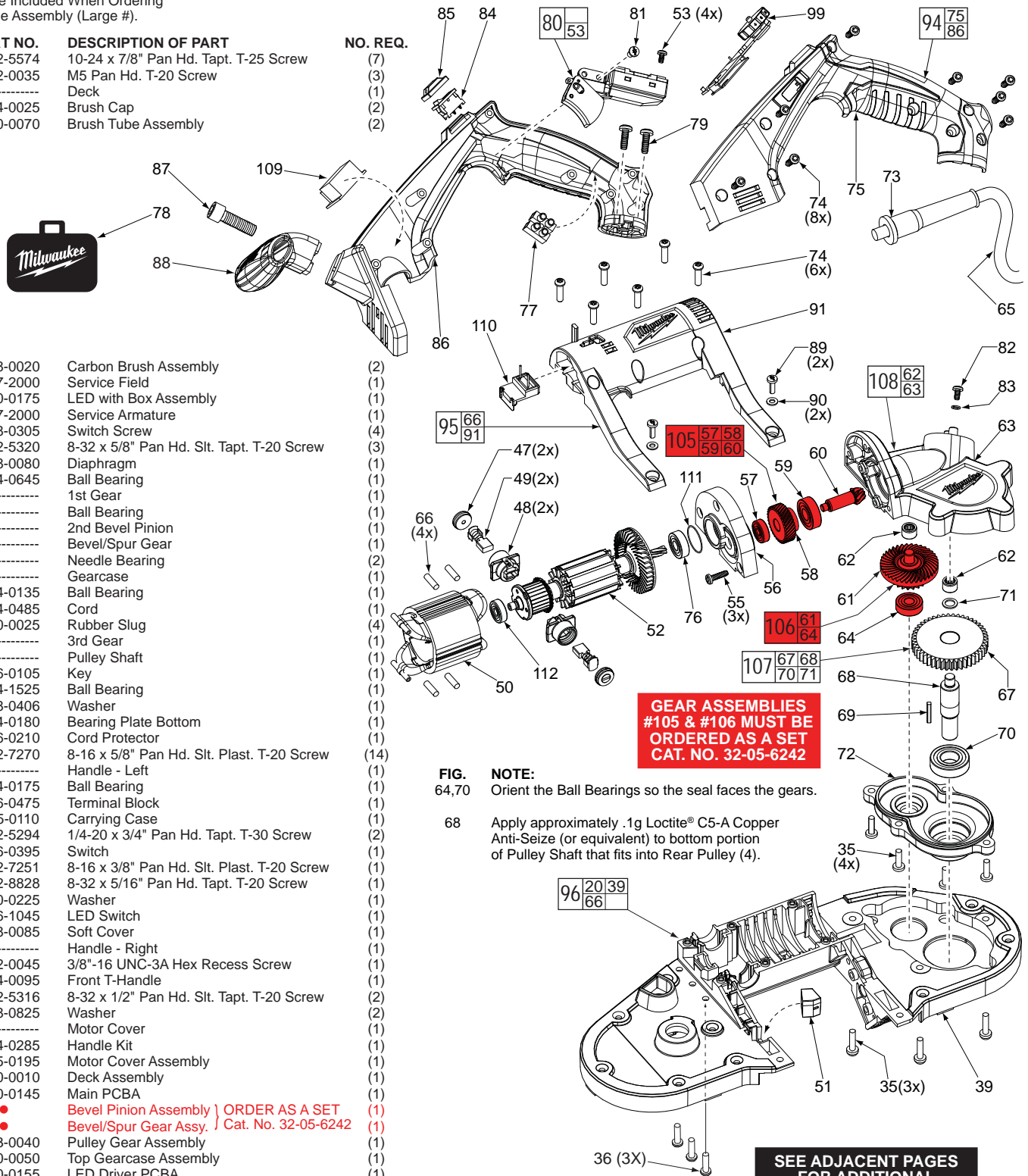
**BULLETIN NO.**  
**54-40-6200**

SPECIFY CATALOG NO. AND SERIAL NO. WHEN ORDERING PARTS		REVISED BULLETIN	DATE
<b>AC COMPACT BAND SAW</b>			Jan. 2014
CATALOG NO.	6242-6	STARTING SERIAL NO.	<b>C13A</b>
			WIRING INSTRUCTION <b>58-01-6200</b>

**EXAMPLE:**  
00 0 Component Parts (Small #)  
Are Included When Ordering  
The Assembly (Large #).

FIG.	PART NO.	DESCRIPTION OF PART	NO. REQ.
35	06-82-5574	10-24 x 7/8" Pan Hd. Tapt. T-25 Screw	(7)
36	06-82-0035	M5 Pan Hd. T-20 Screw	(3)
39	-----	Deck	(1)
47	23-44-0025	Brush Cap	(2)
48	22-20-0070	Brush Tube Assembly	(2)

49	22-18-0020	Carbon Brush Assembly	(2)
50	18-07-2000	Service Field	(1)
51	14-20-0175	LED with Box Assembly	(1)
52	16-07-2000	Service Armature	(1)
53	05-78-0305	Switch Screw	(4)
55	06-82-5320	8-32 x 5/8" Pan Hd. Slit. Tapt. T-20 Screw	(3)
56	28-28-0080	Diaphragm	(1)
57	02-04-0645	Ball Bearing	(1)
58	-----	1st Gear	(1)
59	-----	Ball Bearing	(1)
60	-----	2nd Bevel Pinion	(1)
61	-----	Bevel/Spur Gear	(1)
62	-----	Needle Bearing	(2)
63	-----	Gearcase	(1)
64	02-04-0135	Ball Bearing	(1)
65	22-64-0485	Cord	(1)
66	45-30-0025	Rubber Slug	(4)
67	-----	3rd Gear	(1)
68	-----	Pulley Shaft	(1)
69	43-96-0105	Key	(1)
70	02-04-1525	Ball Bearing	(1)
71	45-88-0406	Washer	(1)
72	28-14-0180	Bearing Plate Bottom	(1)
73	44-76-0210	Cord Protector	(1)
74	06-82-7270	8-16 x 5/8" Pan Hd. Slit. Plast. T-20 Screw	(14)
75	-----	Handle - Left	(1)
76	02-04-0175	Ball Bearing	(1)
77	22-56-0475	Terminal Block	(1)
78	42-55-0110	Carrying Case	(1)
79	06-82-5294	1/4-20 x 3/4" Pan Hd. Tapt. T-30 Screw	(2)
80	23-66-0395	Switch	(1)
81	06-82-7251	8-16 x 3/8" Pan Hd. Slit. Plast. T-20 Screw	(1)
82	06-82-8828	8-32 x 5/16" Pan Hd. Tapt. T-20 Screw	(1)
83	05-90-0225	Washer	(1)
84	23-66-1045	LED Switch	(1)
85	42-38-0085	Soft Cover	(1)
86	-----	Handle - Right	(1)
87	06-82-0045	3/8"-16 UNC-3A Hex Recess Screw	(1)
88	31-44-0095	Front T-Handle	(1)
89	06-82-5316	8-32 x 1/2" Pan Hd. Slit. Tapt. T-20 Screw	(2)
90	45-88-0825	Washer	(2)
91	-----	Motor Cover	(1)
94	31-44-0285	Handle Kit	(1)
95	31-15-0195	Motor Cover Assembly	(1)
96	28-90-0010	Deck Assembly	(1)
99	14-20-0145	Main PCBA	(1)
105	●	Bevel Pinion Assembly } ORDER AS A SET (1)	
106	●	Bevel/Spur Gear Assy. } Cat. No. 32-05-6242 (1)	
107	14-73-0040	Pulley Gear Assembly	(1)
108	14-30-0050	Top Gearcase Assembly	(1)
109	14-20-0155	LED Driver PCBA	(1)
110	14-20-0165	Sensor PCBA	(1)
111	34-40-0205	O-Ring	(1)
112	02-04-0170	Ball Bearing	(1)
	23-94-0060	Black Leadwire Assy. - To #77 & #80 (Not Shown)	(1)
	23-94-0065	White Leadwire Assy. - To #77 & #80 (Not Shown)	(1)
	23-94-0080	Red Leadwire Assy. - To #84 & #80 (Not Shown)	(1)
	23-94-0085	Red Leadwire Assy. - To #48 (Top Brush) & connector on #99 (Not Shown)	(1)



**FIG. 64,70 NOTE:**  
Orient the Ball Bearings so the seal faces the gears.

68 Apply approximately .1g Loctite® C5-A Copper Anti-Seize (or equivalent) to bottom portion of Pulley Shaft that fits into Rear Pulley (4).

**SEE SERVICE WIRING DIAGRAM 58-01-6200**

**SEE ADJACENT PAGES FOR ADDITIONAL SERVICE NOTES AND LUBRICATION**

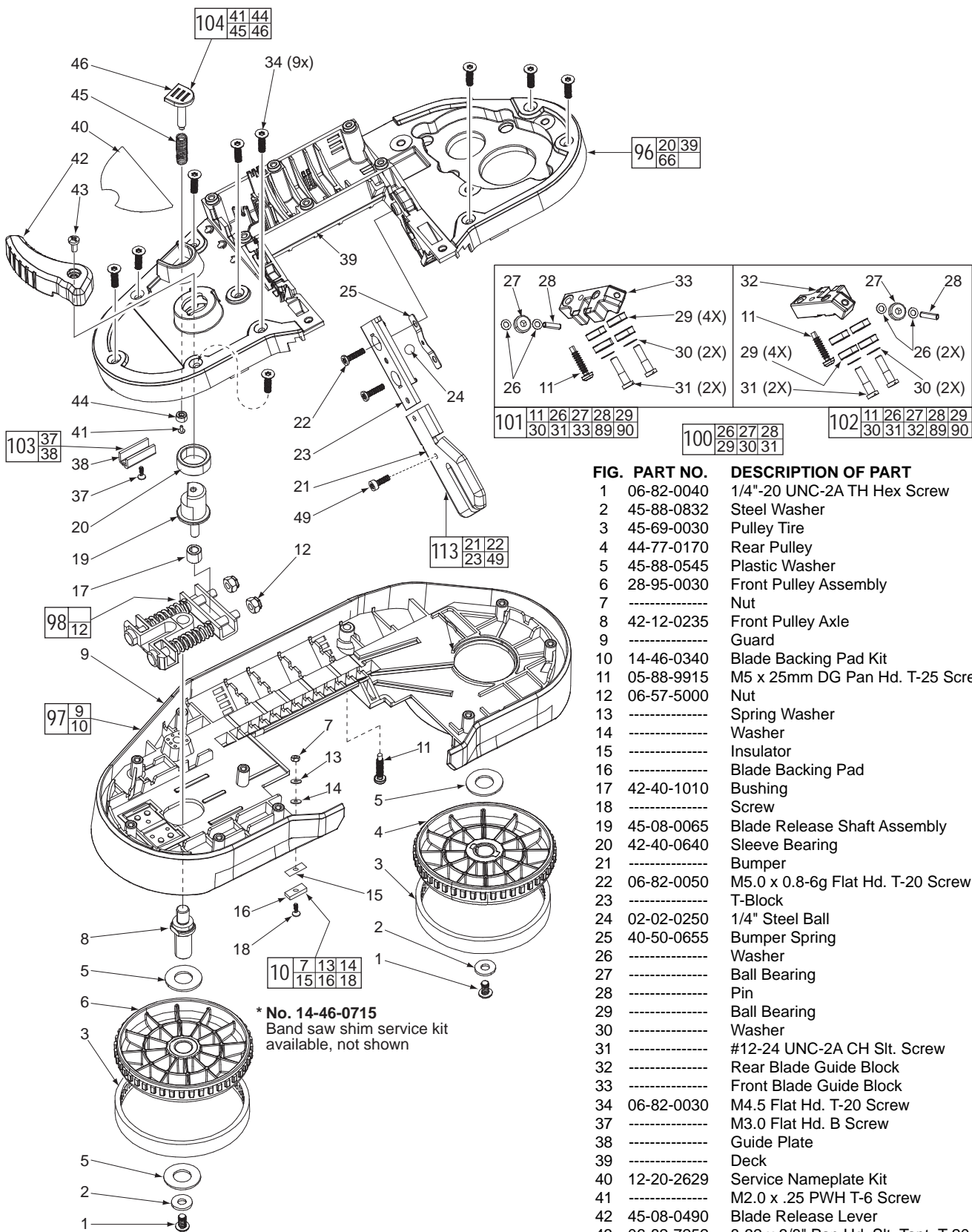
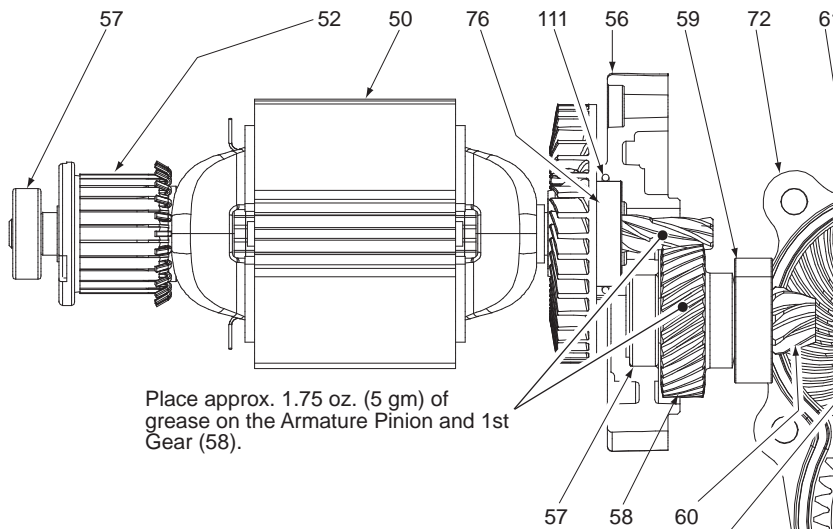


FIG. PART NO.	DESCRIPTION OF PART	NO. REQ.
1	06-82-0040 1/4"-20 UNC-2A TH Hex Screw	(2)
2	45-88-0832 Steel Washer	(2)
3	45-69-0030 Pulley Tire	(2)
4	44-77-0170 Rear Pulley	(1)
5	45-88-0545 Plastic Washer	(3)
6	28-95-0030 Front Pulley Assembly	(1)
7	----- Nut	(1)
8	42-12-0235 Front Pulley Axle	(1)
9	----- Guard	(1)
10	14-46-0340 Blade Backing Pad Kit	(1)
11	05-88-9915 M5 x 25mm DG Pan Hd. T-25 Screw	(3)
12	06-57-5000 Nut	(2)
13	----- Spring Washer	(1)
14	----- Washer	(1)
15	----- Insulator	(1)
16	----- Blade Backing Pad	(1)
17	42-40-1010 Bushing	(1)
18	----- Screw	(1)
19	45-08-0065 Blade Release Shaft Assembly	(1)
20	42-40-0640 Sleeve Bearing	(1)
21	----- Bumper	(1)
22	06-82-0050 M5.0 x 0.8-6g Flat Hd. T-20 Screw	(2)
23	----- T-Block	(1)
24	02-02-0250 1/4" Steel Ball	(1)
25	40-50-0655 Bumper Spring	(1)
26	----- Washer	(4)
27	----- Ball Bearing	(2)
28	----- Pin	(2)
29	----- Ball Bearing	(8)
30	----- Washer	(4)
31	----- #12-24 UNC-2A CH Slit. Screw	(4)
32	----- Rear Blade Guide Block	(1)
33	----- Front Blade Guide Block	(1)
34	06-82-0030 M4.5 Flat Hd. T-20 Screw	(9)
37	----- M3.0 Flat Hd. B Screw	(1)
38	----- Guide Plate	(1)
39	----- Deck	(1)
40	12-20-2629 Service Nameplate Kit	(1)
41	----- M2.0 x .25 PWH T-6 Screw	(1)
42	45-08-0490 Blade Release Lever	(1)
43	06-82-7252 8-32 x 3/8" Pan Hd. Slit. Tapt. T-20 Screw	(1)
44	----- Bushing	(1)
45	----- Spring	(1)
46	----- Blade Ejection Pin	(1)
49	----- Bandsaw Fixed Material Guide w/ Screw	(1)
96	28-90-0010 Deck Assembly	(1)
97	28-41-0050 Guard Assembly	(1)
98	42-18-0025 Blade Tension Bar Assembly	(1)
100	14-46-0465 Guide Block Hardware Kit	(1)
101	42-28-0410 Front Guide Block Assembly	(1)
102	42-28-0420 Rear Guide Block Assembly	(1)
103	44-66-0325 Guide Plate Kit	(1)
104	44-60-0240 Blade Ejection Shaft Kit	(1)
113	42-38-0010 Bumper Assembly	(1)

- FIG. NOTE:**
- 24 Apply Loctite® Silver Grade Anti-Seize Stick 80209 (or equivalent) to Steel Ball.
  - 8 Apply Loctite® Cleaner 755 (or equivalent) to Front Pulley Axle thread first then place a drop or two of Blue Loctite® 443 (or equivalent) to axle threads.
  - 18,41 Apply a drop of Blue Loctite® 443 (or equivalent) to threads of each screw.
  - 9,38 Apply Loctite® C5-A Copper Anti-Seize (or equivalent) to metal insert in Guard and to Guide Plate. Approximately .1g for each part.



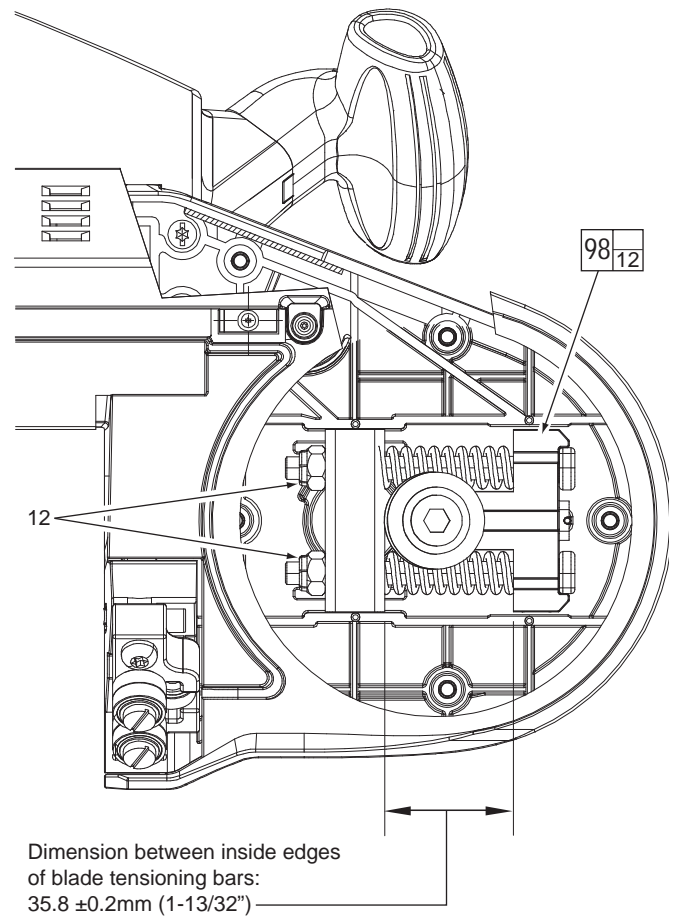
**LUBRICATION:**  
Use Type 'J' Grease, No. 49-08-4220

Place approx. 1.75 oz. (5 gm) of grease on the 2nd Bevel Pinion (60) and Bevel Spur Gear (61).

Place approx. 1.75 oz. (5 gm) of grease on the Armature Pinion and 1st Gear (58).

Place approx. 1.75 oz. (5 gm) of grease on and around the 3rd Gear.

SCREW TORQUE CHART				
ITEM	PART NO.	PART DESCRIPTION	SEAT TORQUE	
			(IN/LBS)	(KG/CM)
1	06-82-0040	1/4"-20 UCN-2A TH Hex	65-74	75-85
7	-----	M2 x 0.4 Nut	2-4	3-5
8	42-12-0235	Front Pulley Axle	78-87	90-100
11	05-88-9915	M5 x 25mm DG PH T-25	16-21	19-24
12	06-57-5000	Flex-Loc Nut	To Assembly Length	
18	-----	M2 x 0.4 T-6	2-4	3-5
22	06-82-0050	M5 x .8-6g FH T-20	26-30	30-35
31	06-82-0120	#12-24 UNC-2A CH Slotted	39-48	45-55
34	06-82-0030	M4.5 FH T-20	16-21	19-24
35	06-82-5574	#10-24 x 7/8" PH T-25	39-48	45-55
36	06-82-0035	M5.0 PH T-20	22-26	25-30
37	06-82-0010	M3 FH B	6-9	7-10
41	06-82-0025	M2.0 x .25 PWH T-6	2-4	3-5
43	06-82-7252	#8-32 x 3/8" PH T-20	22-26	25-30
55	06-82-5320	#8-32 x 5/8" PH T-20	26-31	30-36
74	06-82-7270	#8-16 x 5/8" PH T-20	16-21	19-24
79	06-82-5294	1/4"-20 UNC-2A PH T-30	65-74	75-85
81	06-82-7251	#8-16 x 3/8" PH T-20	10-14	12-16
82	06-82-8828	T-20 Ground Screw	9-13	10-15
87	06-82-0045	3/8"-16 UNC-3A T-20	87-104	100-120
89	06-82-5316	#8-32 x 1/2" PH T-20	16-21	19-24



Dimension between inside edges of blade tensioning bars: 35.8 ±0.2mm (1-13/32")