

Item No.	Part No.	Qty. Used	Description	Item No.	Part No.	Qty. Used	Description
2	266130-9	9	TAPPING SCREW BIND PT 3X16				
3	344391-2	2	BIT HOLDER				
4	182868-7	1	HOUSING SET INC. 21				
5	416058-3	1	CHANGE LEVER				
6	231433-0	1	COMPRESSION SPRING 4				
7	231433-0	1	COMPRESSION SPRING 4				
8	416079-5	1	F/R CHANGE LEVER				
9	651939-6	1	SWITCH C3LA-1A				
10	687085-9	1	HOLDER				
11	654168-0	1	SPRING TERMINAL (+)				
12	654169-8	1	SPRING TERMINAL (-)				
13	911006-2	1	PAN HEAD SCREW M3X8				
14	629700-9	1	DC MOTOR INC. 24,25				
15	125067-8	1	GEAR ASS'Y (INCL. 1 EA. CHANGE LEVER (BLACK) 417078-0, 1 EA. GEAR CASE (A) 416055-9)				
16	257671-6	1	SLEEVE 10				
18	265998-0	1	HEX.SOCKET HEAD BOLT M5X21				
19	232159-7	1	LEAF SPRING				
20	819063-3	1	MAKITA LABEL				
21	182868-7	1	HOUSING SET INC. 4				
22	911017-7	4	PAN HEAD SCREW M3X12				
23	266134-1	3	TAPPING SCREW ST 4X8				
24	643929-3	2	BRUSH HOLDER CAP				
25	191971-3	1	CARBON BRUSH CB-430				
27	**	1	THIN WASHER 10				
28	*	1	THIN WASHER				

ACCESSORY

17	192889-1	1	KEYLESS DRILL CHUCK 10
26	192600-1	1	HIGH CAPACITY BATTERY 1422

SERVICE CHANGE 1

Subject ▶ Addition of Thin Washer 3.8

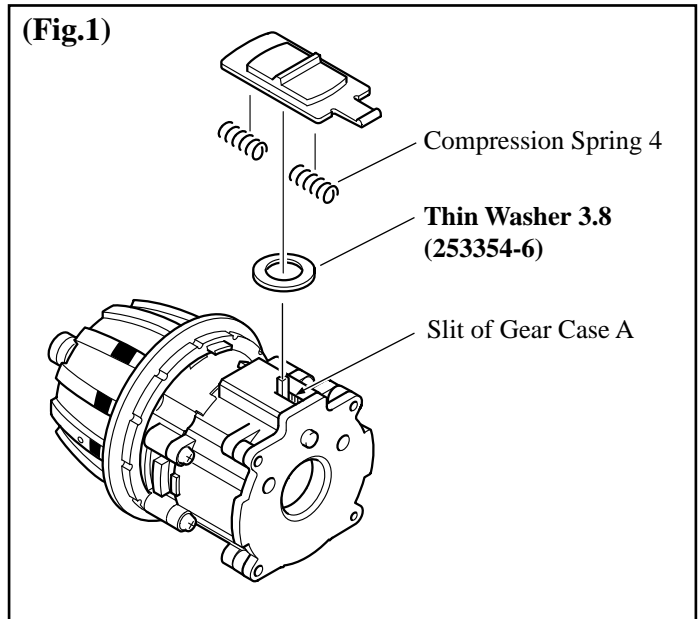
Description ▶ As illustrated in Fig.1, Thin Washer 3.8 has been added so that Compression Spring 4 may not fall into Gear Case A.

As illustrated in Fig.2, the slit of Gear Case A has been enlarged in order not to damage the switch lever since Aug., 1999.
(Refer to Technical Information No.58162.)

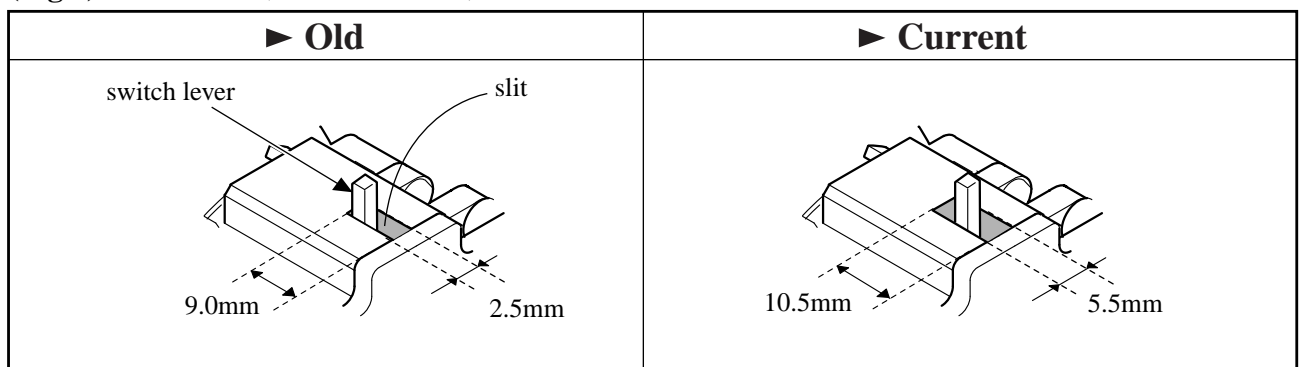
Due to this modification, the current Gear Case A has come to require Thin Washer 3.8 in order to protect Compression Spring 4 from accidentally falling through the slit into Gear Case A.

And so, be sure to use Thin Washer 3.8 for the machine that includes the current Gear Case A.

Note: Addition of Thin Washer 3.8 is a temporary step until the slit is modified again around Feb.,2000.



(Fig.2) Gear Case A (Part No.416055-9)



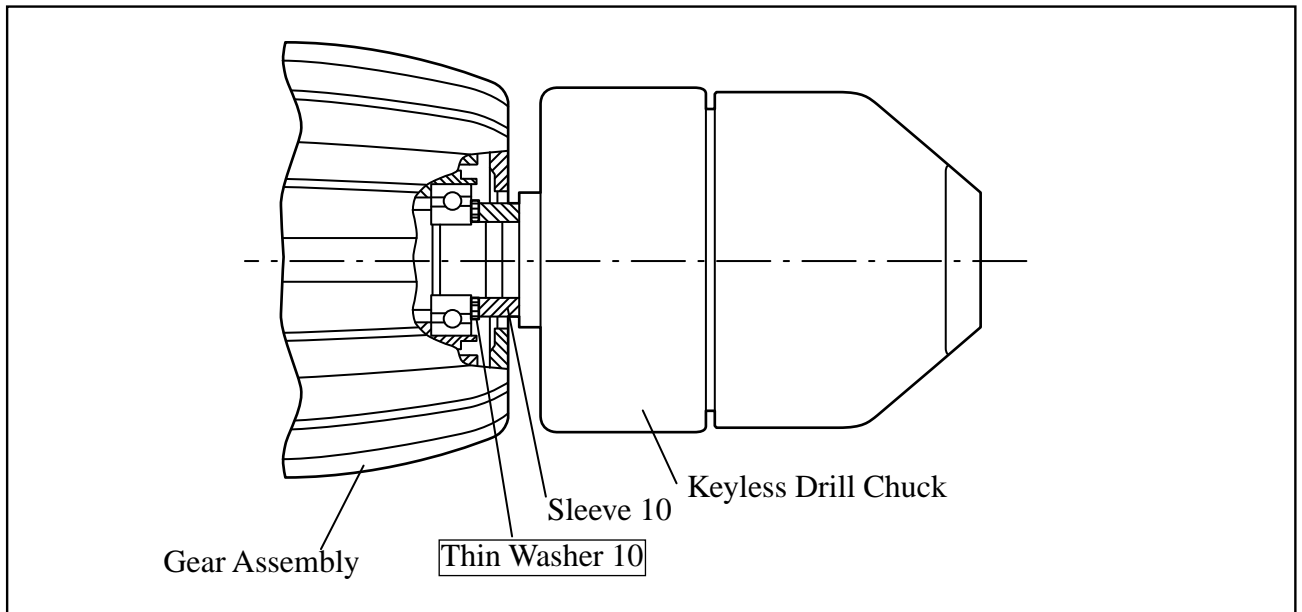
Interchangeability(I/C)

Item No.	Current part		Q'ty	I/C	New part		Q'ty
28	-----				Thin Washer 3.8 253354-6		1

SERVICE CHANGE 2

Subject ▶ Addition of Thin Washer 10

Description ▶ Thin Washer 10 has been added as illustrated below.



Interchangeability(I/C)

Fig. No.	Current part	Q'ty	I/C	New part	Q'ty
27	-----			Thin Washer 10 253330-0	1