



SERVICE PARTS LIST

BULLETIN NO.
55-40-0275

SPECIFY CATALOG NO. AND SERIAL NO. WHEN ORDERING PARTS		REVISED BULLETIN	DATE
4-3/4" DEEP CUT BANDSAW		55-40-0274	May '97
CATALOG NO. 6232-4	STARTING SERIAL NO. 678C	WIRING INSTRUCTION 58-03-0730	

EXAMPLE:



Component Parts (Small #) Are Included
When Ordering The Assembly (Large #).

FIG.	PART NO.	DESCRIPTION OF PART	NO.	REQ.	FIG.	PART NO.	DESCRIPTION OF PART	NO.	REQ.
★	1	22-64-4600	Cord Set	(1)	60	42-12-0070	Blade Pulley Axle	(2)	
★	2	44-76-0210	Cord Protector	(1)	61	06-82-8864	10-24 x 1/2" Pan Hd. Sem T-25	(2)	
	3	31-17-0155	Cord Clamp	(1)	62	42-38-0041	Bumper	(1)	
	4	06-82-7270	8-16 x 5/8" Slit. Plastite T-20	(2)	63	06-82-5330	10-32 x 5/8" Pan Hd. Tapt. T-25	(2)	
★	5	06-82-5292	1/4-20 x 7/8" Pan Hd. Taptite T-30	(4)	64	42-28-0205	Front Blade Guide Block	(1)	
★	6	31-44-0494	Right Handle Half	(1)	65	42-28-0210	Rear Blade Guide Block	(1)	
	7	06-82-7270	8-16 x 7/8" Slit. Plastite T-20	(4)	66	02-25-0260	Cam Follower	(6)	
★	8	31-44-0499	Left Handle Half	(1)	67	06-82-5574	10-24 x 7/8" Pan Hd. Tapt. T-25	(2)	
	9	06-82-7409	8-16 x 1/2" Pan Hd. Plastite T-20	(1)	68	06-82-8864	10-24 x 1/2" Pan Hd. Sem T-25	(1)	
	10	23-66-0766	Variable Speed Control Switch	(1)	69	43-54-0250	Blade Guard	(1)	
	11	06-82-7252	8-32 x 3/8" Pan Hd. Slit. Tapt. T-20	(1)	70	06-82-9264	10-24 x 1/2" Pan Hd. Tapt. Shld. T-25	(1)	
	12	28-62-0031	Blade Release Lever	(1)	71	-----	Bandsaw Blade - Select From Catalog	(1)	
	13	06-42-2200	Woodruff Key	(1)	72	02-50-3235	Needle Bearing	(1)	
	14	45-88-7105	Wave Washer	(1)	73	14-73-0160	Blade Release Shaft Assembly	(1)	
	15	06-82-3024	1/4-20 x 1/2" Fil. Hd. Taptite T-30	(3)	74	45-36-0720	Retaining Plate Spacer	(4)	
	16	06-75-4675	3/8-16 x 1" Skt. Hd. Screw	(1)	75	44-52-0120	Blade Backing Pad	(1)	
	17	31-44-0330	Front Handle	(1)	76	28-41-0920	Front Pulley Guard	(1)	
	18	23-44-0220	Brush Cap	(2)	77	42-40-1010	Bronze Bushing	(1)	
	19	22-18-0715	Carbon Brush Assembly	(2)	78	44-66-0550	Pulley Guard Retaining Plate	(2)	
	20	22-22-1355	Brush Holder Assembly	(2)	79	06-82-3810	1/4-20 x 1-1/4" Flat Hd. Taptite T-27	(4)	
★	21	06-82-5294	1/4-20 x 3/4" Pan Hd. Taptite T-30	(6)	80	40-50-0710	Blade Tension Spring	(2)	
	22	28-90-0200	Pulley Support	(1)	81	06-75-0255	1/4-20 x 4" Hex Hd. Screw	(2)	
★	23	28-50-6382	Motor Housing	(1)	82	06-57-5000	1/4-20 Lock Nut	(2)	
	24	02-04-0913	Ball Bearing	(1)	83	42-18-0190	Blade Tension Bar	(2)	
	25	31-55-0145	Coil Shield	(1)	84	06-82-5298	1/4-20 x 1" Pan Hd. Taptite T-30	(2)	
	26	23-16-0425	Field Insulator	(1)	85	22-84-0770	Fan	(1)	
	27	18-54-0100	120 Volt Field	(1)					
	28	06-82-7410	8-16 x 1-7/8" Pan Hd. Plastite T-20	(2)					
	29	31-05-0170	Fan Baffle	(1)					
	30	16-54-0100	120 Volt Armature	(1)					
	31	02-04-1050	Ball Bearing	(1)					
	32	06-65-1155	3/16 x 5/8" Groove Pin	(1)					
	33	28-28-1699	Diaphragm	(1)					
	34	02-04-1020	Ball Bearing	(1)					
	35	32-40-1680	Intermediate Gear	(1)					
	36	06-42-1200	Woodruff Key	(1)					
	37	36-18-0050	Worm Shaft	(1)					
	38	02-04-1030	Ball Bearing	(1)					
	39	28-14-2110	Gear Case	(1)					
	40	06-82-3060	1/4-20 x 1-5/16" Pan Hd. Taptite T-30	(4)					
★	41	06-82-5270	Nameplate Screw	(2)					
	42	12-99-0065	Nameplate Blank	(1)					
	43	06-82-5394	5/16-18 x 13/16" Pan Hd. T-40	(2)					
	44	02-04-1210	Ball Bearing	(1)					
	45	32-90-0110	Worm Gear	(1)					
	47	36-66-0525	Worm Gear Shaft	(1)					
	48	02-04-2700	Ball Bearing	(1)					
	49	14-46-1175	Chain/Sprocket Kit	(1)					
	50	06-82-8842	8-32 x 3/8" Pan Hd. Tapt. Sem T-20	(2)					
	51	-----	Roller Chain	(1)					
★	52	45-69-0020	Blade Pulley Tire Kit (Set of 2)	(1)					
	53	45-88-7165	Pulley Hub Washer	(4)					
	54	34-60-1400	Snap Ring	(2)					
★	55	25-20-1220	Blade Pulley Cover	(2)					
	56	06-82-3060	1/4-20 x 1-5/16" Fil. Hd. Tapt. T-30	(3)					
	57	28-95-0120	Blade Pulley	(2)					
	58	42-40-0580	Sleeve Bearing	(4)					
	59	-----	Sprocket	(1)					

FIG. NOTES

34,35,
36,37,38 Assemble and install in Gear Case before 44 thru 48.

43 Apply Type 242 Blue Loctite. Torque to 75-115 in./lbs.

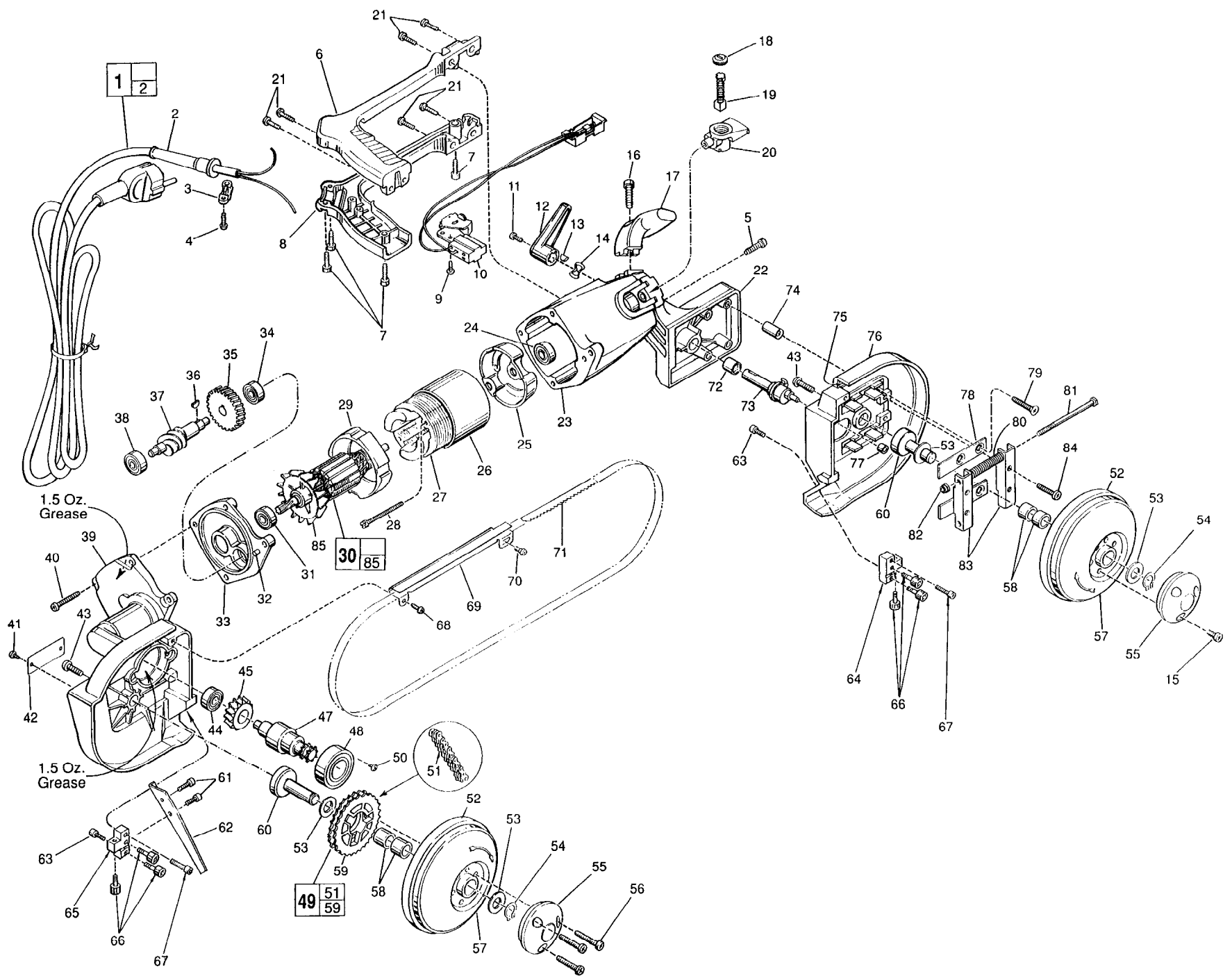
11,61, 63,67 Apply Type 242 Blue Loctite.

66 Torque to 20-30 in./lbs.

83 Dimension between outside edges of blade tension bars 3-11/16" ± 1/16".

FIG. LUBRICATION

39 3 oz. Type "G" Grease, No. 49-08-4140.
1.5 oz. in each of two locations. (See Illustration).



1.5 Oz. Grease

1.5 Oz. Grease

30 85

49 51 59