



SERVICE PARTS LIST

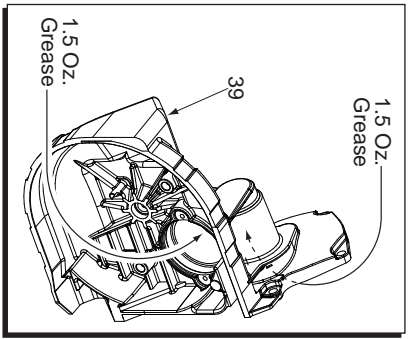
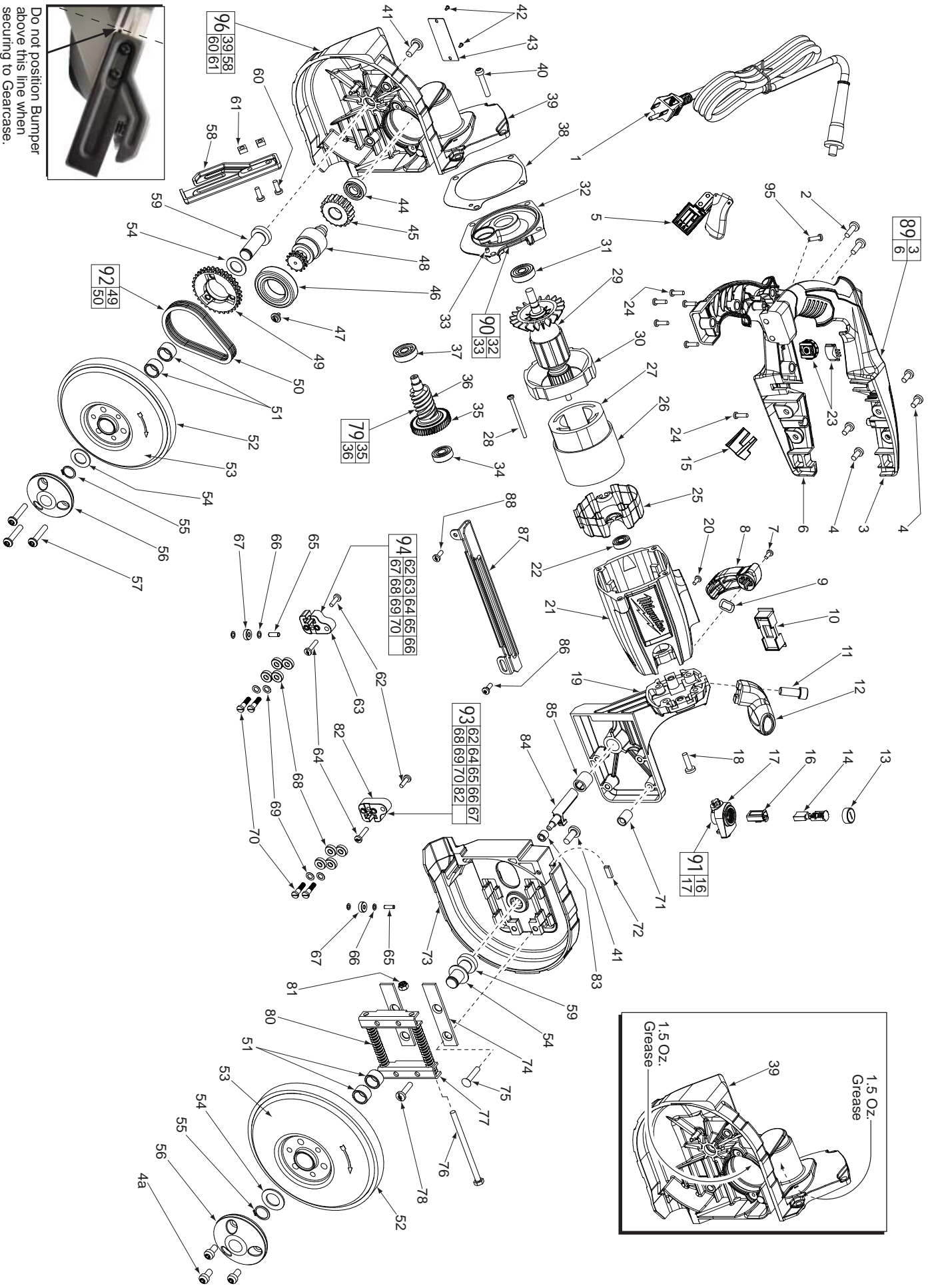
BULLETIN NO.
54-40-6230

SPECIFY CATALOG NO. AND SERIAL NO. WHEN ORDERING PARTS		REVISED BULLETIN	DATE
4-3/4" DEEP CUT VARIABLE SPEED BANDSAW			Nov. 2011
CATALOG NO. 6230N	STARTING SERIAL NO. C05A	WIRING INSTRUCTION 58-01-6230	

00 0

EXAMPLE:
Component Parts
(Small #) Are Included
When Ordering The
Assembly (Large #).

FIG.	PART NO.	DESCRIPTION OF PART	NO. REQ.	FIG.	PART NO.	DESCRIPTION OF PART	NO. REQ.
1	22-64-0555	Cord Set	(1)	63	-----	Rear Blade Guide Block	(1)
2	06-82-5394	1/4-20 x 3/4" Pan Hd. Taptite T-30 Screw	(2)	64	06-82-5574	10-24 x 7/8" Pan Hd. Tapt. T-25 Screw	(2)
3	-----	Handle Halve - Right	(1)	65	-----	Pin	(2)
4	06-82-5360	1/4-20 x 5/8" Pan Hd. Taptite T-30 Screw	(4)	66	-----	Washer	(4)
4a	06-82-5338	1/4-20 x 1/2" Pan Hd. Taptite T-30 Screw	(3)	67	-----	Ball Bearing	(2)
5	23-66-0345	Switch	(1)	68	-----	Ball Bearing	(8)
6	-----	Handle Halve - Left	(1)	69	-----	Washer	(4)
7	06-82-7252	8-32 x 3/8" Pan Hd. Slit. Tapt. T-20 Screw	(1)	70	-----	12-20 x .96" Slotted Screw	(4)
8	31-52-0060	Blade Release Lever	(1)	71	45-36-0720	Retaining Plate Spacer	(4)
9	45-88-7105	Wave Washer	(1)	72	44-52-0120	Blade Backing Pad	(1)
10	23-16-1340	Insulator	(1)	73	28-41-0020	Front Pulley Guard	(1)
11	06-75-4675	3/8-16 x 1" Socket Head Screw	(1)	74	44-66-0550	Pulley Guard Retaining Plate	(1)
12	31-44-0095	Front Handle	(1)	75	06-82-3810	1/4-20 x 1-1/4" Flat Hd. Tapt. T-27 Screw	(4)
13	23-44-0220	Brush Cap	(2)	76	06-75-1991	1/4-20 x 4" Hex Hd. Cap Screw	(2)
14	22-18-6230	Brush Spring Assembly	(2)	77	42-18-0190	Blade Tension Bar	(2)
15	43-86-6230	Rubber Insulator	(1)	78	06-82-5298	1/4-20 x 1" Pan Hd. Tapt. T-30 Screw	(2)
16	-----	Brush Tube	(2)	79	14-46-0052	Intermediate Gear/Worm Shaft Kit	(1)
17	-----	Brush Tube Housing	(2)	80	40-50-0710	Blade Tension Spring	(2)
18	06-82-5292	1/4-20 x 7/8" Pan Hd. Taptite T-30 Screw	(4)	81	06-57-5000	1/4-20 Lock Nut	(2)
19	28-90-0020	Pulley Support	(1)	82	-----	Front Blade Guide Block	(1)
20	06-82-8828	8-32 x 5/16" Pan Hd. Taptite T-20 Screw	(1)	83	42-40-1010	Bushing	(1)
21	28-50-0050	Motor Housing	(1)	84	45-08-0172	Blade Release Shaft	(1)
22	02-04-0851	Ball Bearing	(1)	85	02-50-3235	Needle Bearing	(1)
23	14-20-6230	Speed Selector	(1)	86	06-82-9270	10-24 x 1/2" Pan Hd. Tapt. Shld. T-25	(1)
24	06-82-7270	8-16 x 5/8" Pan Hd. Slit. Plast. T-20 Scr.	(6)	87	43-54-0040	Blade Guard	(1)
25	31-55-0029	Coil Shield	(1)	88	06-82-8864	10-24 x 1/2" Pan Hd. Sems T-25 Screw	(1)
26	23-16-0020	Field Insulator	(1)	89	14-34-0610	Handle Kit	(1)
27	18-30-0120	Service Field	(1)	90	14-13-0570	Diaphragm Kit	(1)
28	06-82-7425	8-16 x 2" Pan Hd. Plastite T-20 Screw	(2)	91	22-20-0990	Brush Tube Kit	(2)
29	16-30-0121	Service Armature	(1)	92	14-46-1175	Chain/Sprocket Kit	(1)
30	31-05-0170	Baffle	(1)	93	42-28-0395	Front Guide Roller Kit	(1)
31	02-04-1050	Ball Bearing	(1)	94	42-28-0400	Rear Guide Roller Kit	(1)
32	-----	Diaphragm	(1)	95	06-82-7251	8-16 x 3/8" Pan Hd. Slit. Plast. T-20 Scr.	(1)
33	-----	Pin	(1)	96	14-30-0590	Gearcase Kit	(1)
34	02-04-1020	Ball Bearing	(1)		42-55-6230	Carrying Case, Optional (Not Shown)	(1)
35	-----	Intermediate Gear	(1)				
36	-----	Worm Shaft	(1)				
37	02-04-1030	Ball Bearing	(1)	FIG. NOTES			
38	43-44-1130	Gasket	(1)	19,85	Press Needle Bearing flush to surface of Pulley Support.		
39	28-14-0040	Gearcase	(1)	34,37,79	Assemble and install in Gearcase before 44 thru 48.		
40	06-82-3060	1/4-20 x 1-5/16" Pan Hd. Tapt. T-30 Scr.	(4)	41	Torque to 95-135 in./lbs.		
41	06-82-5394	5/16-18 x 13/16" Pan Hd. T-40 Mach. Scr.	(2)	72	Apply Loctite Speed Bonder 326.		
42	06-95-0500	Stick Screw	(2)	77	Dimension between outside edges of Blade Tension Bars 3-11/16" ± 1/16".		
43	12-99-0251	Nameplate Blank	(1)	FIG. LUBRICATION			
44	02-04-1210	Ball Bearing	(1)	39	3 oz. Type "G" Grease, No. 49-08-4140. 1.5 oz. in each of two locations. (See Illustration on back).		
45	32-90-0110	Worm Gear	(1)				
46	02-04-2700	Ball Bearing	(1)				
47	06-82-8842	8-32 x 3/8" Pan Hd. Tapt. Sems T-20 Scr.	(2)				
48	36-66-0525	Worm Gear Shaft	(1)				
49	-----	Sprocket	(1)				
50	-----	Roller Chain	(1)				
51	42-40-0580	Sleeve Bearing	(4)				
52	45-69-0010	Blade Pulley Tire	(2)				
53	28-95-0120	Blade Pulley	(2)				
54	45-88-7165	Pulley Hub Washer	(4)				
55	34-60-1400	Snap Ring	(2)				
56	31-15-1220	Pulley Cover	(2)				
57	06-82-2365	1/4-20 x 1-5/16" Pan Hd. T-30 Screw	(3)				
58	42-38-0290	Bumper	(1)				
59	42-12-0070	Blade Pulley Axle	(2)				
60	06-82-0100	12-24 x 9/16" T-25 Screw	(2)				
61	05-59-0115	12-24 Square Nut	(2)				
62	06-82-5330	10-32 x 5/8" Pan Hd. Tapt. T-25 Screw	(2)				



Do not position Bumper above this line when securing to Gearcase.

