

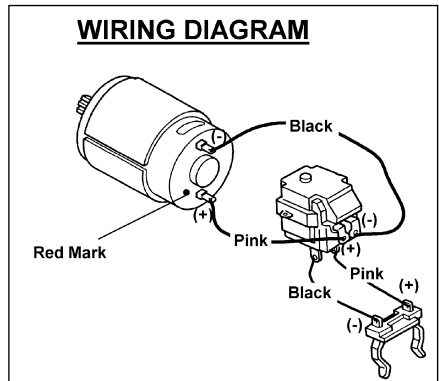
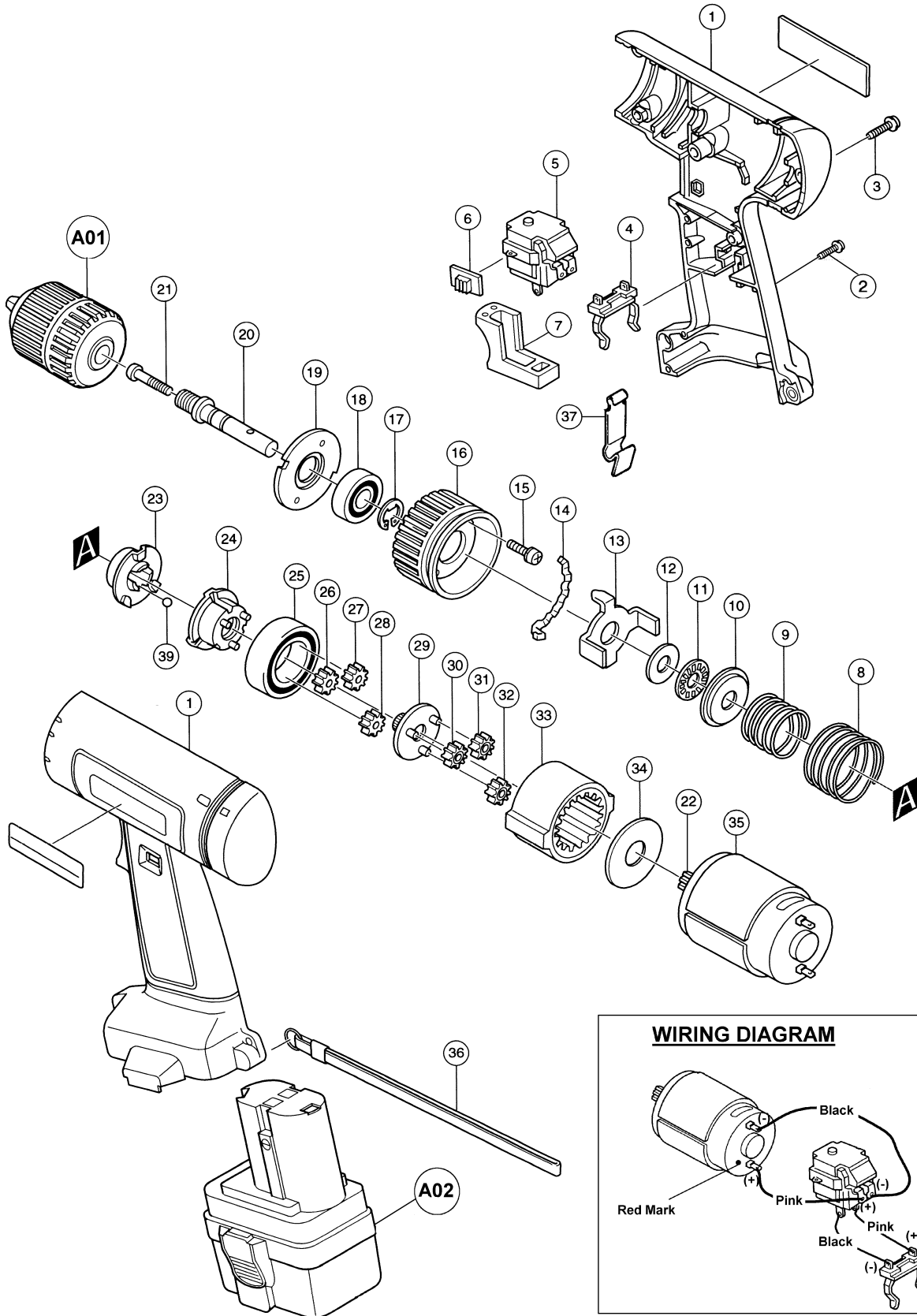


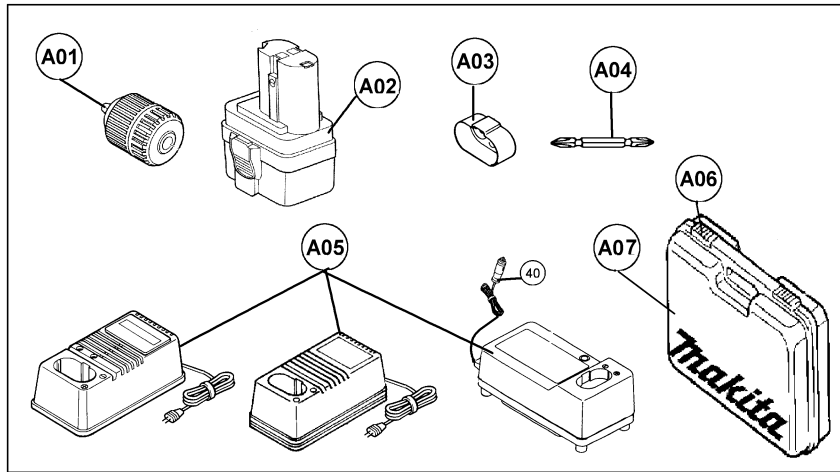
9.6V - 3/8" KEYLESS DRILL W/2 Batteries

Model 6222DWE(MCC)

9.6V - 3/8" KEYLESS DRILL W/2 Batteries & Flashlight

Model 6222DWLE(MCC)



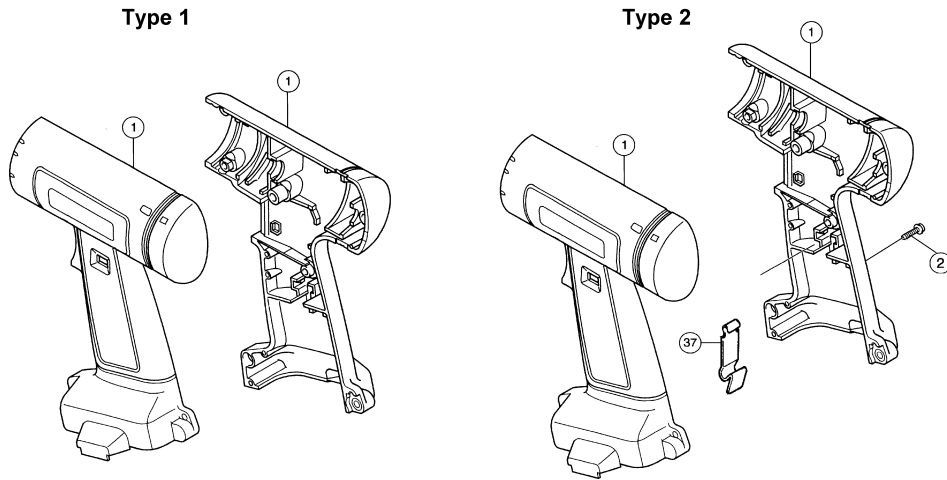


Item No.	Part No.	No. Used	Description	Item No.	Part No.	No. Used	Description
1	*	1	Housing Set	35	629694-8	1	DC Motor 9.6V (Includes Item 22)
2	911143-2	1	(+) P.H. Screw M4X22 (Option)	36	163319-9	1	Hand Strap
3	265995-6	7	Tapping Screw 4x18	37	343579-1	1	Set Plate (Option)
4	643909-9	1	Battery Holder	39	216011-7	3	Steel Ball 5.6
5	650500-6	1	Switch (Old 651909-5)	40	655000-B	1	Plug for Cigarette Lighter
6	414740-8	1	Lever	Accessories			
7	415671-4	1	Switch Lever	A01	192016-0	1	3/8" Keyless Drill Chuck (Old 763119-3)
8	233044-7	1	Compression Spring 27	A02	192638-6	1	9.6V Battery 9120 (W/Clip, 1.3Ah)
9	233196-4	1	Compression Spring 22		192019-4	1	9.6V Battery 9100(1.3Ah) (Use with Items 2 & 37)
10	267705-7	1	Washer 10	A03	414938-7	2	Battery Cover
11	216401-4	1	Thrust Needle Gauge 1023	A04	- - - - -	1	Bit (See Catalogue for Details)
12	253180-3	1	Flat Washer 10	A05	DC9710	1	Charger For 7.2V & 9.6V Ni-Cad 1.3Ah Batteries (Old CACDC9700)
13	165087-0	1	Slider		DC1411	1	Charger DC1411 For 7.2V ~ 14.4V - 1.3Ah ~ 3.0Ah Batteries (Old 113126C303 & CACDC1410)
14	344131-8	2	Cam Plate	CAADC1412		1	Automotive Charger DC1412 For 7.2V ~ 14.4V - 1.3Ah ~ 2.0Ah Batteries (Includes Item 40)
15	911023-2	2	P.H. Screw M3x14	A06	186347-7	2	Slide Latch Set (2pcs/Set)(Type 1)
16	415515-8	1	Change Ring		417059-4	2	Latch (pc) (Type 2)
17	961015-1	1	Stop Ring E-9	A07	824447-2	1	Plastic Carrying Case (6222DWE) (With Item A06)
18	211061-7	1	Ball Bearing 6000LLB		824492-7	1	Plastic Carrying Case (6222DWLE)
19	285678-2	1	Bearing Retainer 14				
20	322880-7	1	Spindle				
21	251451-2	1	(-) P.H. Screw M5x22				
22	226281-0	1	Spur Gear 9				
23	223115-8	1	Clutch Cam				
24	153229-8	1	Clutch Cam Com. (Includes 3/256157-7 - Pin 3)				
25	211375-4	1	Ball Bearing 6805LLB				
26	226284-4	1	Spur Gear 15				
27	226284-4	1	Spur Gear 15				
28	226284-4	1	Spur Gear 15				
29	153228-0	1	Spur Gear 9 Com.				
30	226283-6	1	Spur Gear 15				
31	226283-6	1	Spur Gear 15				
32	226283-6	1	Spur Gear 15				
33	226285-2	1	Internal Gear 42				
34	267067-3	1	Flat Washer 12				

* SEE SERVICE CHANGES

SERVICE CHANGES

1. Change on Housing Set.



Item No.	Description	Type 1	Type 2
1	Housing Set	182916-2	183042-0
2	(+) P.H. Screw M4X22	-----	911143-2 (Option)
37	Set Plate	-----	343579-1 (Option)

Above parts are completely interchangeable as a set.