



# SERVICE PARTS LIST

BULLETIN NO.  
54-40-0625

SPECIFY CATALOG NO. AND SERIAL NO. WHEN ORDERING PARTS			REVISED BULLETIN	DATE
<b>CUT-OFF MACHINE</b>				Oct. '96
CATALOG NO.	6184-01	STARTING SERIAL NO.	WIRING INSTRUCTION	
		929A	58-01-1235	

**EXAMPLE:**  
Component Parts (Small #)  
Are Included When Ordering  
The Assembly (Large #).

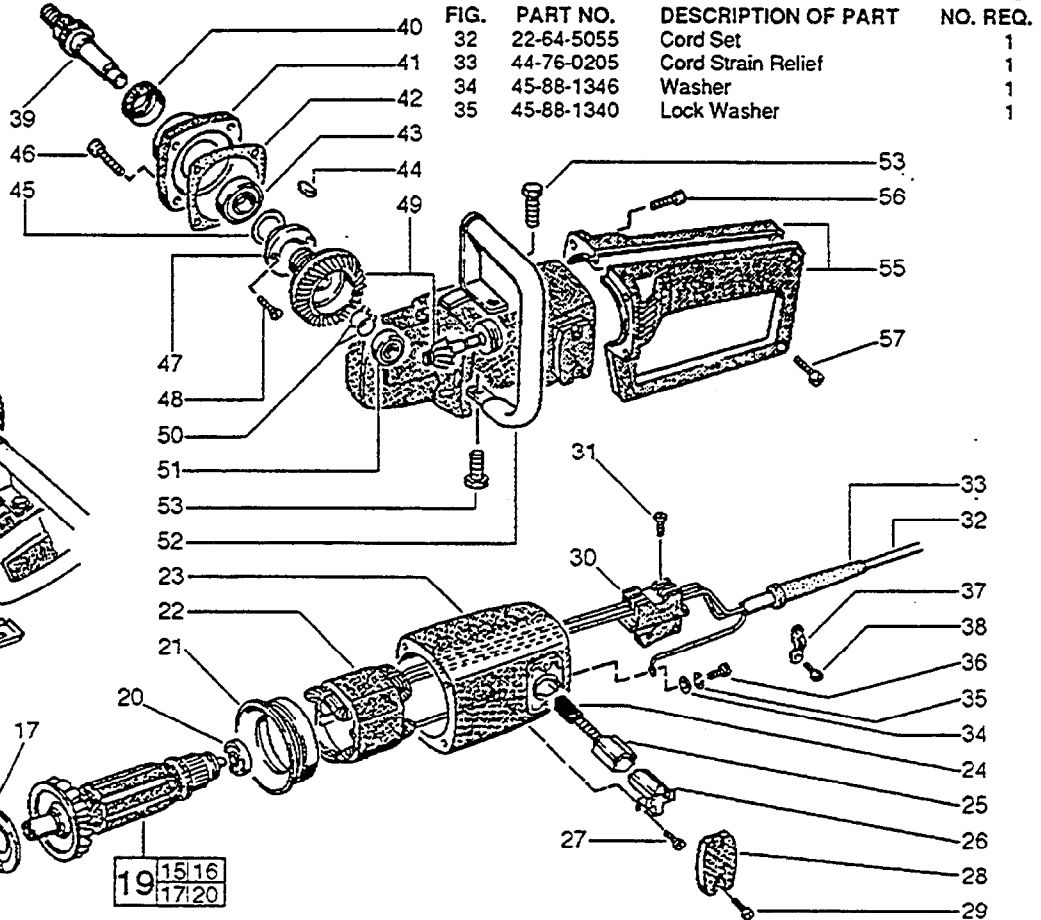
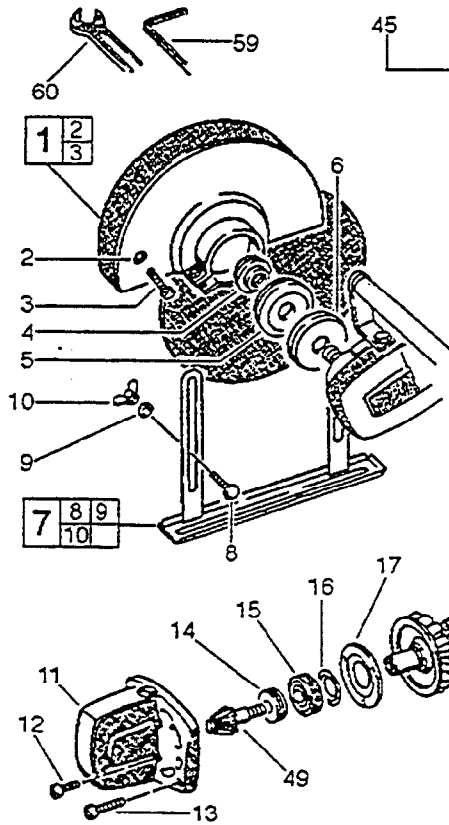


FIG.	PART NO.	DESCRIPTION OF PART	NO. REQ.
1	43-54-0775	Wheel Guard	1
2	45-88-1315	Washer	1
3	05-74-0455	Cap Screw	1
4	44-40-0605	20mm Flange Nut	1
4	44-40-0750	1" Flange Nut	1
5	43-34-0780	Outer Flange	1
6	43-34-0785	Inner Flange	1
7	43-40-0315	Guide Frame	1
8		Carriage Bolt	1
9		Flat Washer	1
10		Wing Nut	1
11	28-14-0810	Gear Case	1
12	05-74-0460	Cap Screw	3
13	05-74-0465	Cap Screw	4
14	45-28-0180	Grease Slinger	1
15	02-04-5135	Ball Bearing	1
16	34-40-4435	Nilos Ring	1
17	42-92-0066	Bearing Cover	1
19	16-07-0166	Armature With Fan	1
20	02-04-5150	Ball Bearing	1
21	31-05-0345	Air Deflector Ring	1
22	18-07-0165	Field - Service	1
23	31-50-0895	Motor Housing	1
24	22-16-0305	Carbon Brush	2
25	22-20-0900	Brush Holder Insulator	2
26	22-22-0405	Brush Holder	2
27	05-81-0715	Machine Screw	2
28	31-12-0095	Brush Holder Cap	2
29	05-81-0970	Screw	4
30	23-66-1015	Switch	1
31	05-81-0725	Machine Screw	4

FIG.	PART NO.	DESCRIPTION OF PART	NO. REQ.
32	22-64-5055	Cord Set	1
33	44-76-0205	Cord Strain Relief	1
34	45-88-1346	Washer	1
35	45-88-1340	Lock Washer	1

36	05-81-0730	Machine Screw	1
37	31-17-0240	Cord Clamp	1
38	05-81-0930	Screw	2
39	38-50-6095	Spindle	1
40	44-90-4305	Sealing Ring	1
41	44-66-0185	Spindle Hub	1
42	43-44-0265	Gasket	1
43	02-04-5145	Ball Bearing	1
44	43-96-0230	Shaft Key	1
45	45-88-1325	Washer	1
45	45-88-1330	Washer	1
45	45-88-1335	Washer	1
46	05-74-0470	Cap Screw	4
47	42-92-1205	Bearing Cover	1
48	05-81-0705	Machine Screw	3
49	32-05-1005	Bevel Gear Set	1
50	44-90-4295	Holding Ring	2
51	02-04-5140	Ball Bearing	1
52	31-44-2105	Wrap Around Handle Complete	1
53	05-74-0475	Cap Screw	2
55	31-44-0295	Handle Set Complete	1
56	05-74-0465	Cap Screw	4
57	05-88-9601	Screw	5
59	43-96-0225	Hex Key	1
60	49-96-4125	Open End Wrench	2
	12-20-6184	Service Nameplate	1
	10-98-9030	Warning Label	1
	10-07-6240	Product Label	1

**FIG. LUBRICATION**  
11 45 grams Type "O" Grease, No. 49-08-4200.

MILWAUKEE ELECTRIC TOOL CORPORATION  
13135 W. LISBON RD., BROOKFIELD, WI 53005