



SERVICE PARTS LIST

BULLETIN NO.
55-38-0076

SPECIFY CATALOG NO. AND SERIAL NO. WHEN ORDERING PARTS		REVISED BULLETIN 55-38-0075	DATE Sept. '98
115mm ANGLE GRINDER			
CATALOG NO. 6148-50	STARTING SERIAL NUMBER 870B	WIRING INSTRUCTION See Below	

EXAMPLE:

00	0
----	---

Component Parts (Small #)
Are Included When Ordering
The Assembly (Large #).

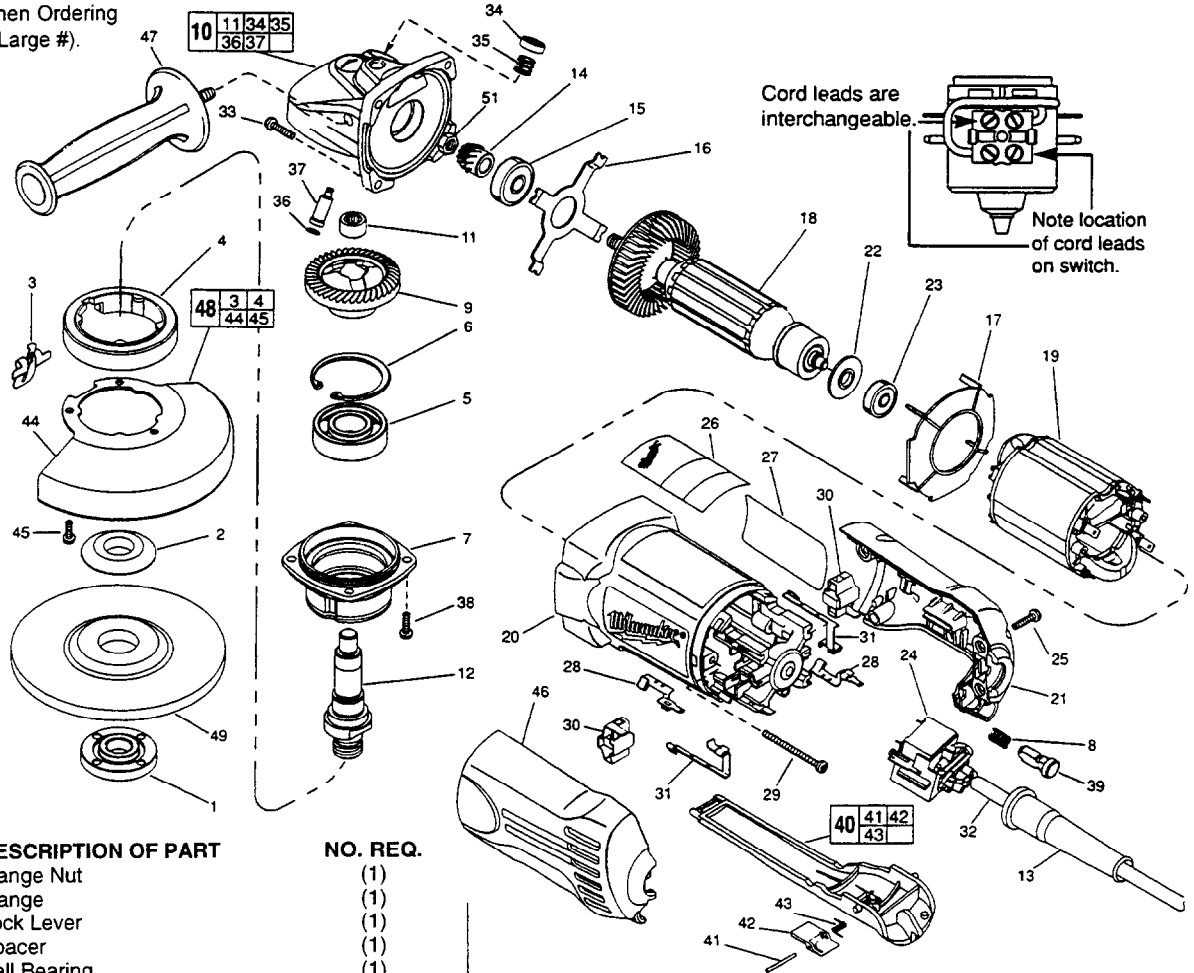


FIG.	PART NO.	DESCRIPTION OF PART	NO. REQ.
	1	Flange Nut	(1)
★	2	Flange	(1)
★	3	Lock Lever	(1)
	4	Spacer	(1)
	5	Ball Bearing	(1)
★	6	Retaining Ring - Internal	(1)
	8	Compression Spring	(1)
	7	Spindle Hub	(1)
	9	P.M. Gear	(1)
	10	Gear Case Assembly	(1)
	11	Needle Bearing	(1)
	12	Spindle	(1)
	13	Cord Protector	(1)
	14	Pinion Gear	(1)
★	15	Ball Bearing	(1)
	16	Bearing Retainer Plate	(1)
	17	Baffle	(1)
★	18	Armature	(1)
★	19	Field	(1)
	20	Motor Housing	(1)
	21	Right Cover	(1)
★	22	Commutator Insulator	(1)
	23	Ball Bearing	(1)
★	24	Switch Assembly	(1)
	25	6-19 x 7/8" Pan Hd. Plastite T-15	(4)
	26	Nameplate	(1)
★	27	Logo Label	(1)
	28	Brush Terminal	(2)
★	29	6-19 x 3-1/4" Pan Hd. Slit. Plast. T-15	(2)
	30	Brush Holder Assy. (Incl. Carbon Brush)	(2)
	31	Switch Terminal	(2)
	32	Cord Set	(1)
	33	8-16 x 1" Pan Hd. Slit. Plast. T-20	(4)
	34	Cap	(1)
	35	Compression Spring	(1)
	36	O-Ring	(1)

FIG.	PART NO.	DESCRIPTION OF PART	NO. REQ.
	37	Lock Pin	(1)
	38	8-32 x 1/2" Pan Hd. Slit. Tapt. T-20	(4)
	39	Lock-On Button	(1)
	40	Paddle Assembly	(1)
	41	Pin	(1)
	42	Lock-Off Button	(1)
	43	Torsion Spring	(1)
	44	Hood	(1)
	45	8-16 x 3/8" Pan Hd. Slit. Plast. T-20	(3)
	46	Left Cover	(1)
	47	Side Handle	(1)
	48	Guard Assembly	(1)
	49	115mm Disc - Select From Catalog	(1)
	51	Hex Nut	(1)

FIG. LUBRICATION:

- 9, 14 Type "O" Grease, No. 49-08-4200, Must Be Applied To All Gear Teeth.
- 10 18-21 Grams Type "O" Grease, No. 49-08-4200.

FIG. NOTES:

- 7 Position The Spindle Hub With The Side That Has The Word "Back" Orientated Toward The Rear Of The Tool. Press 2.3mm Below Casting Surface.
- 32 Tuck All Cord Leads Away From Vent Openings.
- 32 Strip Cord Leads 4.6mm, Cord Lead Length 64mm.
- 51 Torque To 2.85-4.0 Nm.

MILWAUKEE ELECTRIC TOOL CORPORATION
13135 W. Lisbon Road, Brookfield, WI 53005
Drwg. 4