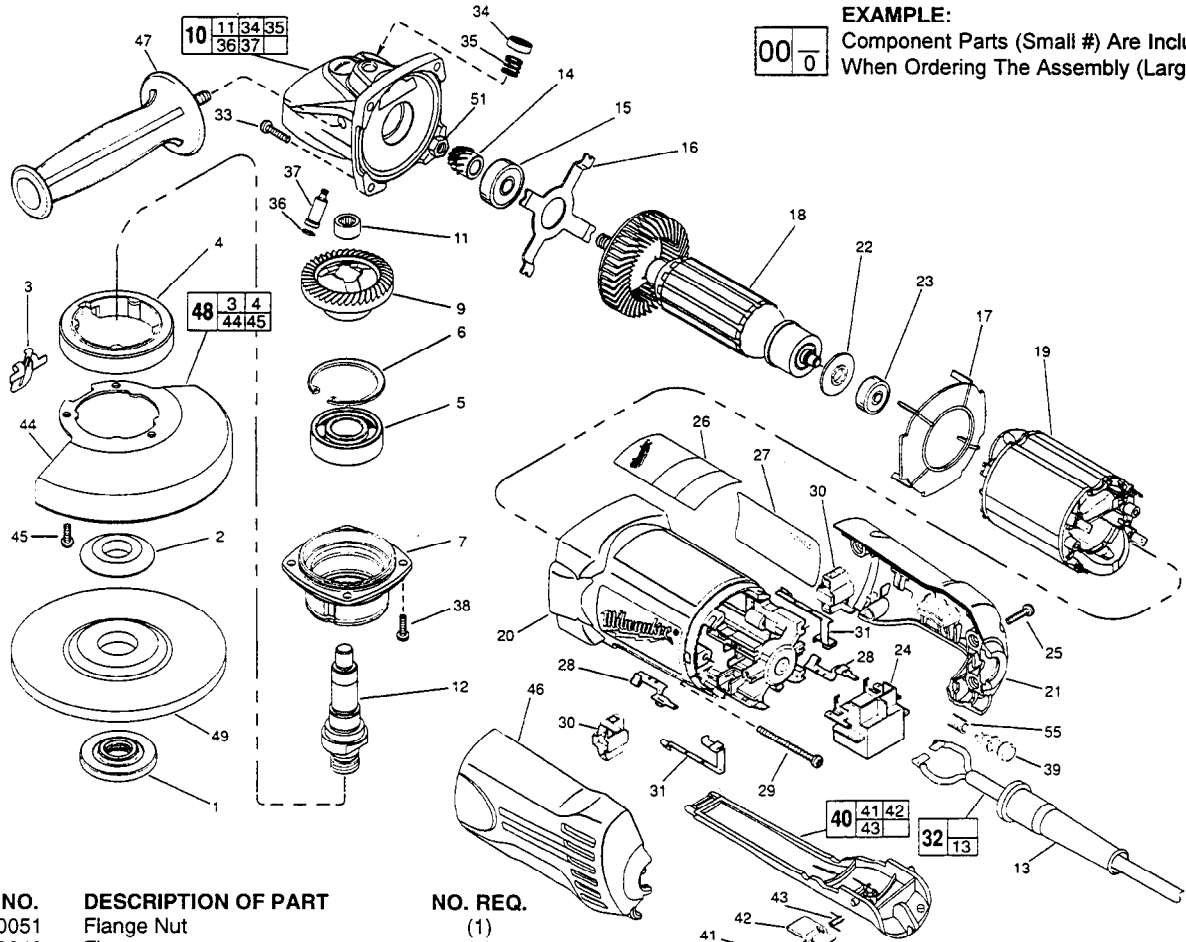




SERVICE PARTS LIST

BULLETIN NO.
54-38-0078

SPECIFY CATALOG NO. AND SERIAL NO. WHEN ORDERING PARTS		REVISED BULLETIN 54-38-0077	DATE Aug. '98
4-1/2" ANGLE GRINDER			
CATALOG NO. 6148	STARTING SERIAL NUMBER	856D	
		WIRING INSTRUCTION	



EXAMPLE:

Component Parts (Small #) Are Included When Ordering The Assembly (Large #).

FIG.	PART NO.	DESCRIPTION OF PART	NO. REQ.
	1	Flange Nut	(1)
	2	Flange	(1)
	3	Lock Lever	(1)
	4	Spacer	(1)
★	5	Ball Bearing	(1)
	6	Retaining Ring - Internal	(1)
★	7	Spindle Hub	(1)
	9	P.M. Gear	(1)
	10	Gear Case Assembly	(1)
	11	Needle Bearing	(1)
	12	Spindle	(1)
	13	Cord Protector	(1)
	14	Pinion Gear	(1)
	15	Ball Bearing	(1)
	16	Bearing Retainer Plate	(1)
	17	Baffle	(1)
	18	Armature	(1)
	19	Field	(1)
	20	Motor Housing	(1)
	21	Right Cover	(1)
	22	Commutator Insulator	(1)
	23	Ball Bearing	(1)
	24	Switch	(1)
	25	6-19 x 7/8" Pan Hd. Plastite T-15	(4)
	26	Service Nameplate Kit	(1)
	27	Warning Label	(1)
	28	Brush Terminal	(2)
	29	6-19 x 2-3/4" Pan Hd. St. Plast. T-15	(2)
	30	Brush Holder Assy. (Incl. Carbon Brush)	(2)
	31	Switch Terminal	(2)
	32	Cord Set Assembly	(1)
	33	8-16 x 1" Pan Hd. St. Plast. T-20	(4)
	34	Cap	(1)
	35	Compression Spring	(1)
	36	O-Ring	(1)

FIG.	PART NO.	DESCRIPTION OF PART	NO. REQ.
	37	Lock Pin	(1)
	38	8-32 x 1/2" Pan Hd. St. Tapt. T-20	(4)
	39	Lock-On Button	(1)
	40	Paddle Assembly	(1)
	41	Pin	(1)
	42	Lock-Off Button	(1)
	43	Torsion Spring	(1)
★	44	Hood	(1)
	45	8-16 x 3/8" Pan Hd. St. Plast. T-20	(3)
	46	Left Cover	(1)
	47	Side Handle	(1)
★	48	Guard Assembly	(1)
	49	4-1/2" Disc - Select From Catalog	(1)
	51	10-32 Hex Nut	(1)
	55	Compression Spring	(1)
★	49-96-7205	Spanner Wrench	(1)

FIG. LUBRICATION:
9,14 Type "O" Grease, No. 49-08-4200, Must Be Applied To All Gear Teeth.
18-21 Grams Type "O" Grease, No. 49-08-4200.

FIG. NOTES:
7 Position The Spindle Hub With The Side That Has The Word "Back" Orientated Toward The Rear Of The Tool. Press .09" Below Casting Surface.
11 Tuck All Cord Leads Away From Vent Openings.
32 Torque To 25-35 In./Lbs.