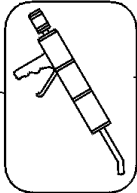


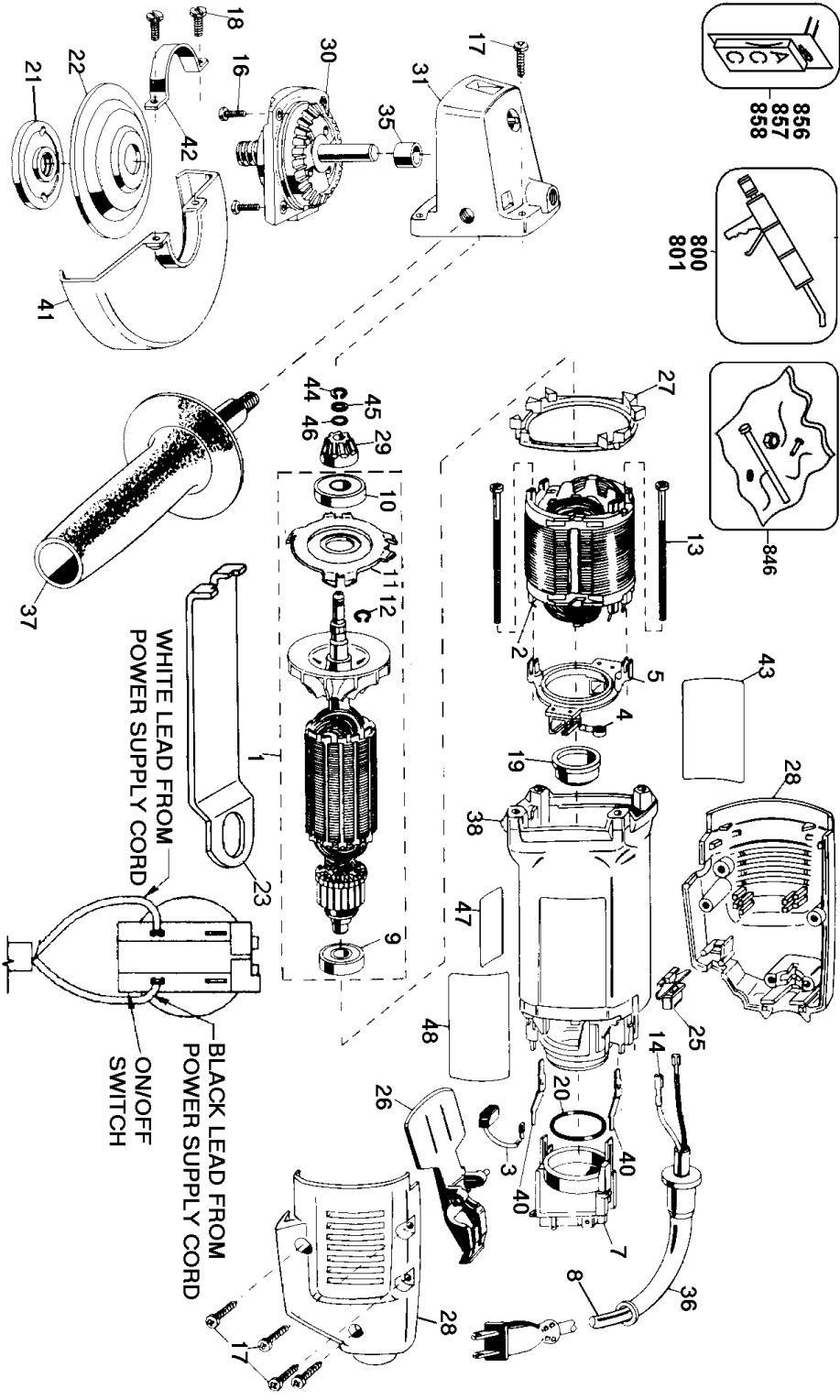
856
857
858



800
801



846



Parts List for 6147 Type 101

Item Number	Part Number	Description	Qty Required
1	5140071-54	ARMATURE&FIELD	1
2	5140071-54	ARMATURE&FIELD	1
3	445861-25	BRUSH	2
4	445860-00	SPRING,BRUSH	2
5	449899-05	RING,BRUSH	1
7	5140110-67	SWITCH KIT	1
7	5140110-67	SWITCH KIT	1
8	330072-98	CORD/8FT/18-2SJ	1
9	330003-03	BEARING,BALL	1
10	330003-17	BEARING,BALL	1
11	150057-00	RETAINER,BRG.	1
12	444793-00	RING, RETAINING	1
13	445880-00	SCREW	2
14	464228-00	TERMINAL	2
16	146929-00	SCREW,TRI-ROUND	4
17	330019-13	SCREW,M4X19	8
18	99284-08	SCREW	2
19	445217-02	SLEEVE	1
20	700248-00	O RING	1
21	149480-00	NUT,CLAMP	1
22	448156-01	FLANGE	1
23	149645-00	WRENCH,BOX	1
25	447847-00	LOCK BUTTON	1
26	150428-00SV	PADDLE	1
27	445876-00	BAFFLE, FAN	1
28	445879-17	END CAP ASSY	1
29	5140001-91	SPINDLE & GEAR	1

Parts List for 6147 Type 101

Item Number	Part Number	Description	Qty Required
29	152487-01	PINION	1
30	5140001-91	SPINDLE & GEAR	1
30	152487-01	PINION	1
31	150323-00SV	CASE-GEAR	1
35	036826-00	SLEEVE BEARING	1
36	330005-01	PROTECTOR,CORD	1
37	149142-00	HANDLE,SIDE	1
38	445886-00SV	CASE-FIELD	1
40	445882-00	CONTACT STRIP	2
41	450733-00	GUARD	1
42	146954-00	CLAMP,GUARD	1
43	233304-00	NAMEPLATE-SHEET	1
44	38751-00	RING	1
45	449559-00	WASHER	1
46	50050-00	RING	1
47	000000-00	No Longer Available	1
48	000000-00	No Longer Available	1
800	761995-01	GREASE, 6 OZ.	1
801	283484-01	GREASE,32 OZ.	1
846	000000-00	No Longer Available	1
856	DW4939	4-1/2 BACK PAD	1
856	DW4514	4-1/2X1/4 METL	1
857	68254-02	NUT,DISC	1
858	51816-01	FLANGE	1