



BULLETIN NO.
54-38-3503

SERVICE PARTS LIST

SPECIFY CATALOG NO. AND SERIAL NO. WHEN ORDERING PARTS		REVISED BULLETIN	DATE
4-1/2" D.I. SANDER-GRINDER		54-38-3502	June '93
CATALOG NO.	6145	WIRING INSTRUCTION	
STARTING SERIAL NO.	627-254500	58-01-0306	

EXAMPLE:

00 **0** Component Parts (Small #) Are Included
When Ordering The Assembly (Large #).

For Cat. No. 6145-2 (240 V) Tool Use:

- 16-06-0060 Armature
- 18-06-0055 Field
- 22-64-0235 Cord Set
- 22-18-0750 Carbon Brush

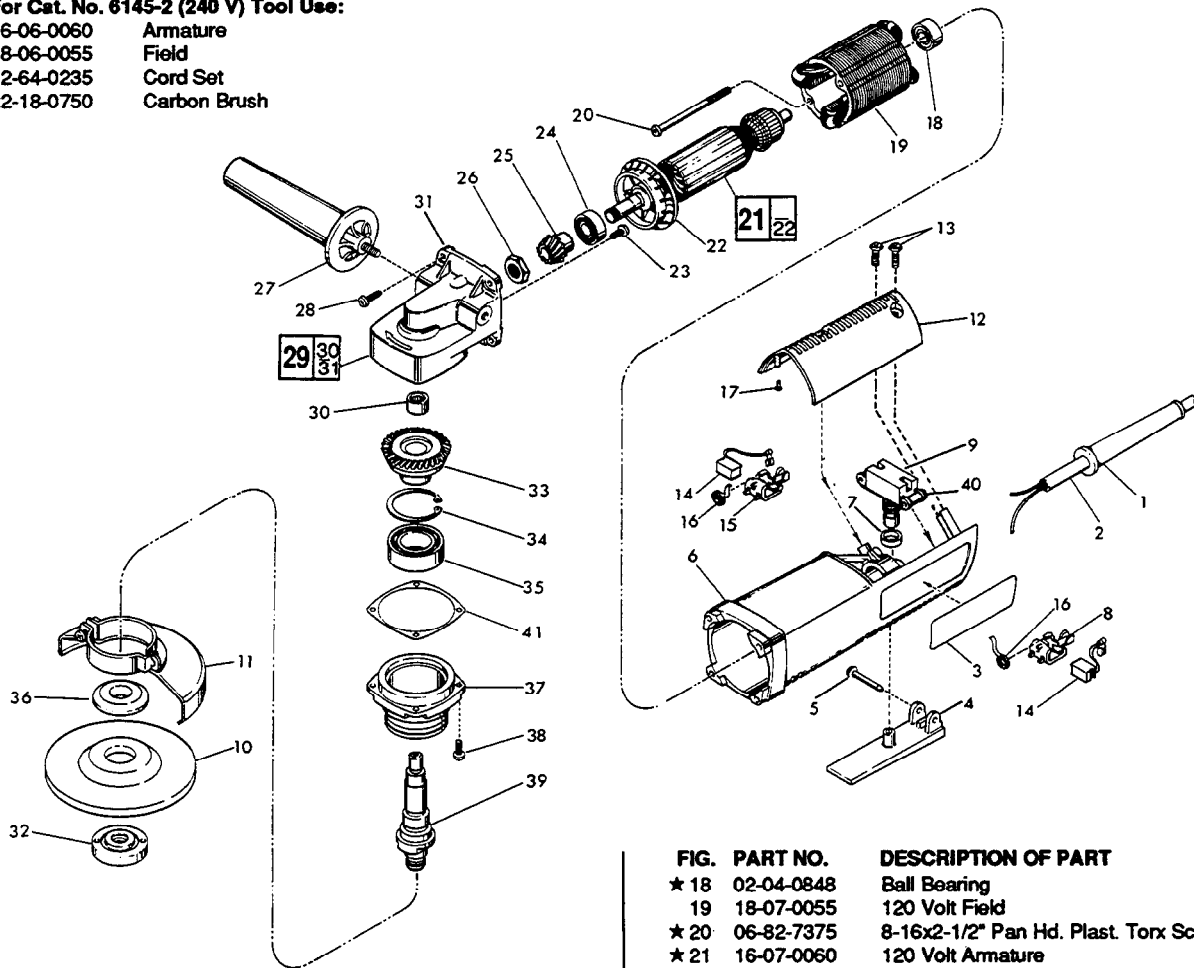


FIG.	PART NO.	DESCRIPTION OF PART	NO. REQ.
★ 1	44-76-0130	Cord Protector	(1)
★ 2	22-64-0215	Cord Set	(1)
★ 3	12-65-4128	Service Nameplate	(1)
★ 4	31-92-0110	Trigger	(1)
★ 5	06-72-0815	.146 Dia. x 1-3/8" Rivet	(1)
★ 6	31-50-0425	Motor Housing	(1)
★ 7	44-90-4245	Rubber Ring	(1)
★ 8	22-20-0691	Left Brush Holder	(1)
★ 9	23-66-1170	Switch	(1)
★ 10		4-1/2" Disc-Select from Catalog	(1)
★ 11	49-12-0320	Wheel Guard Assembly	(1)
★ 12	31-15-0142	Cover	(1)
★ 13	06-82-7270	8-16x5/8" Pan Hd. St. Plast. Torx Screw	(3)
★ 14	22-18-0710	Carbon Brush	(2)
★ 15	22-20-0692	Right Brush Holder	(1)
★ 16	23-52-0240	Brush Spring	(2)
★ 17	42-38-0181	Rubber Bumper	(2)

FIG.	PART NO.	DESCRIPTION OF PART	NO. REQ.
★ 18	02-04-0848	Ball Bearing	(1)
★ 19	18-07-0055	120 Volt Field	(1)
★ 20	06-82-7375	8-16x2-1/2" Pan Hd. Plast. Torx Screw	(2)
★ 21	16-07-0060	120 Volt Armature	(1)
★ 22	22-84-0680	Fan	(1)
★ 23	06-82-7252	8-32x3/8" Pan Hd. St. Plast. Torx Screw	(2)
★ 24	02-04-1020	Ball Bearing	(1)
★ 25	32-60-2180	Pinion	(1)
★ 26	06-57-5006	1/4-28 Hex Lock Nut	(1)
★ 27	49-15-0251	Side Handle	(1)
★ 28	06-82-7270	8-16x5/8" Pan Hd. St. Plast. Torx Screw	(4)
★ 29	14-30-0300	Gear Case Assembly	(1)
★ 30	02-50-2423	Needle Bearing	(1)
★ 31	28-14-1421	Gear Case	(1)
★ 32	49-05-0050	Flange Nut	(1)
★ 33	32-05-1186	Spiral Bevel Gear	(1)
★ 34	34-80-2960	Retaining Ring-Internal	(1)
★ 35	02-04-1746	Ball Bearing	(1)
★ 36	49-05-0040	Flange	(1)
★ 37	28-53-0220	Spindle Hub	(1)
★ 38	06-82-5316	8-32x1/2" Pan Hd. St. Tapite Torx Screw	(4)
★ 39	38-50-5201	Spindle	(1)
★ 40	06-95-0125	Switch Terminal Screw	(2)
★ 41	45-14-0160	Shim	(0-3)
	49-96-4078	3/4" Wrench	(1)
	49-96-7200	Spanner Wrench	(1)

FIG. LUBRICATION
31 1/4 Oz. "O" Grease, NO. 49-08-4200.

MILWAUKEE ELECTRIC TOOL CORPORATION
13135 W. LISBON RD., BROOKFIELD, WI 53005