



# SERVICE PARTS LIST

**BULLETIN NO.**  
54-38-3500

SPECIFY CATALOG NO. AND SERIAL NO. WHEN ORDERING PARTS		REVISED BULLETIN	DATE
4-1/2" SANDER-GRINDER			July '81
CATALOG NO. 6145	STARTING SERIAL NO. 627-1001	WIRING INSTRUCTION 58-01-0308	

FOR CAT. NO. 6145-2 (240) TOOL USE:  
 16-17-0010 ARMATURE  
 18-17-0010 FIELD  
 22-64-0235 CORD SET

5 AMPS  
 10,000 RPM

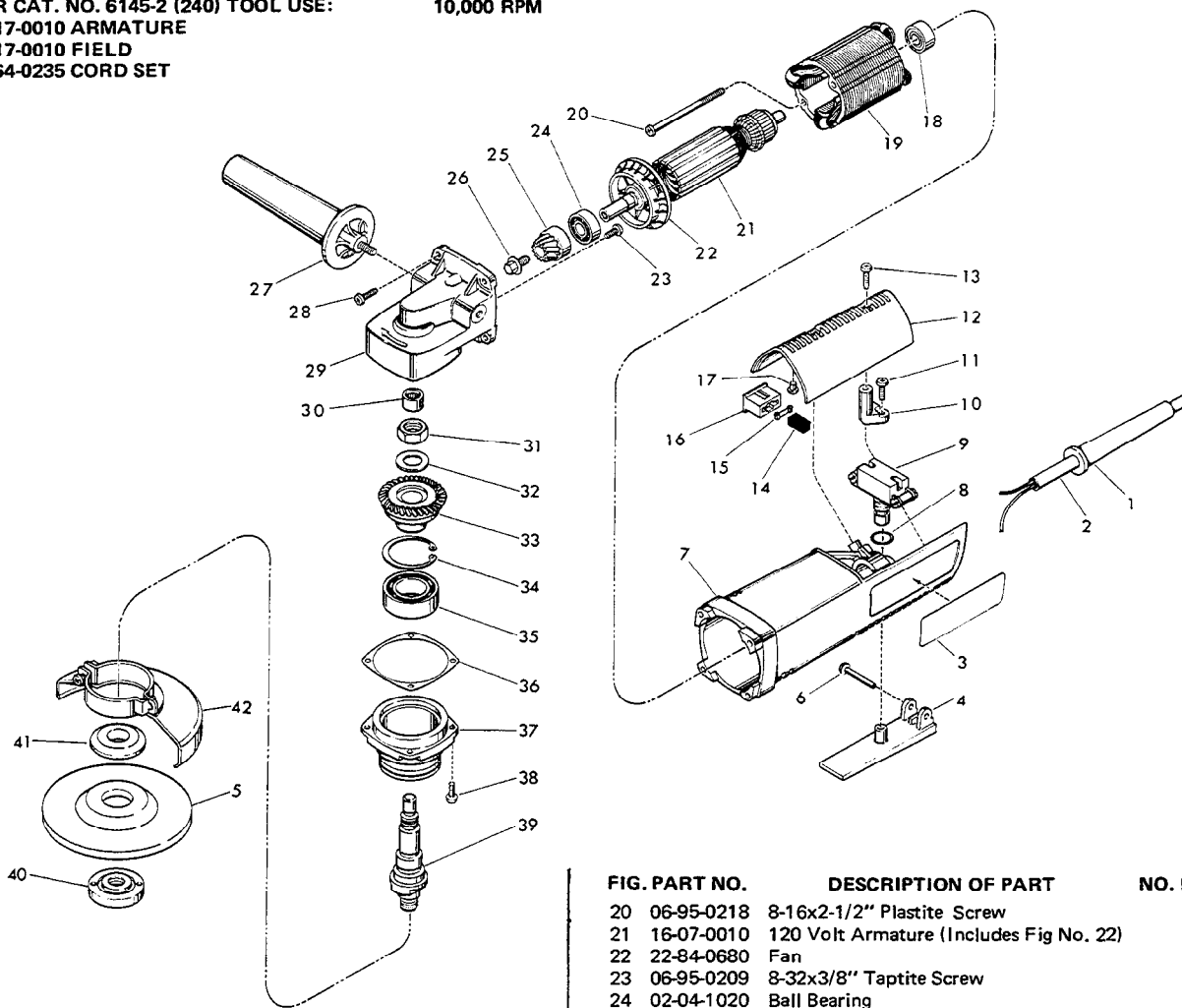


FIG. PART NO.	DESCRIPTION OF PART	NO. REQ.
1	44-76-0110 Cord Protector	(1)
2	22-64-0215 Cord Set	(1)
3	12-65-4101 Nameplate Blank	(1)
4	31-92-0110 Trigger	(1)
5	— Select From Catalog	(1)
6	06-72-0810 .146 Dia.x1-3/32" Rivet	(1)
7	31-50-0235 Motor Housing	(1)
8	34-40-4015 O-Ring	(1)
9	23-66-1170 Switch	(1)
10	31-17-0120 Cord Clamp	(1)
11	06-95-0216 8-16x5/8" Plastite Screw	(2)
12	31-15-0140 Cover	(1)
13	06-95-0216 8-16x5/8" Plastite Screw	(2)
14	22-16-0275 Carbon Brush	(2)
15	23-52-0190 Brush Spring	(2)
16	22-20-0450 Brush Holder	(2)
17	42-38-0180 Rubber Bumper	(2)
18	02-04-0850 Ball Bearing	(1)
19	18-07-0010 120 Volt Field	(1)

FIG. PART NO.	DESCRIPTION OF PART	NO. REQ.
20	06-95-0218 8-16x2-1/2" Plastite Screw	(2)
21	16-07-0010 120 Volt Armature (Includes Fig No. 22)	(1)
22	22-84-0680 Fan	(1)
23	06-95-0209 8-32x3/8" Taptite Screw	(2)
24	02-04-1020 Ball Bearing	(1)
25	36-66-4215 Pinion Assembly	(1)
26	06-75-0074 1/4-20x3/8" Hex Washer Hd Screw	(1)
27	49-15-0250 Side Handle	(1)
28	06-95-0216 8-16x5/8" Plastite Screw	(4)
29	14-30-0300 Gear Case Assembly (Includes Fig. No. 30)	(1)
30	02-50-2423 Needle Bearing	(1)
31	06-55-2850 1/2-13 Hex Nut	(1)
32	45-88-7520 Washer	(1)
33	32-05-1180 Spiral Bevel Gear	(1)
34	34-80-2960 Retaining Ring-Internal	(1)
35	02-04-1746 Ball Bearing	(1)
36	45-14-0160 Shim (0 to 3 as Required.)	(1)
37	28-53-0220 Spindle Hub	(1)
38	06-95-0209 8-32x3/8" Taptite Screw	(4)
39	38-50-5200 Spindle	(1)
40	49-05-0050 Flange Nut	(1)
41	49-05-0040 Flange	(1)
42	49-12-0320 Wheel Guard Assembly	(1)
49-96-4078	3/4" Wrench (Not Shown)	(1)
49-96-7200	Spanner Wrench (Not Shown)	(1)