



SERVICE PARTS LIST

BULLETIN NO.
54-38-0060

SPECIFY CATALOG NO. AND SERIAL NO. WHEN ORDERING PARTS		REVISED BULLETIN	DATE
4.5" BRAKING GRINDER with PADDLE SWITCH			Oct. 2018
CAT. NO.	6143-31	STARTING SERIAL NUMBER	K01A
		WIRING INSTRUCTION See Reverse Side	

FIG.	PART NO.	DESCRIPTION OF PART	NO. REQ.
1	05-88-1650	M4 x 25mm Pan Hd. ST T-20 Screw	(4)
2	14-30-0087	Gearcase Assembly	(1)
2g	02-04-0620	Ball Bearing	(1)
3	42-62-0125	Side Handle	(1)
4	34-40-0180	O-Ring	(1)
5	14-73-0461	5/8-11 Spindle Hub Kit	(1)
5g	44-20-0155	Guard Locking Tang	(1)
5h	05-81-0020	M3 x 5mm Pan Hd. ST T-8 Screw	(1)
6	05-90-0225	Spring Washer	(6)
7	05-78-5316	M4 x 14mm Pan Hd. Tapt. T-20 Screw	(4)

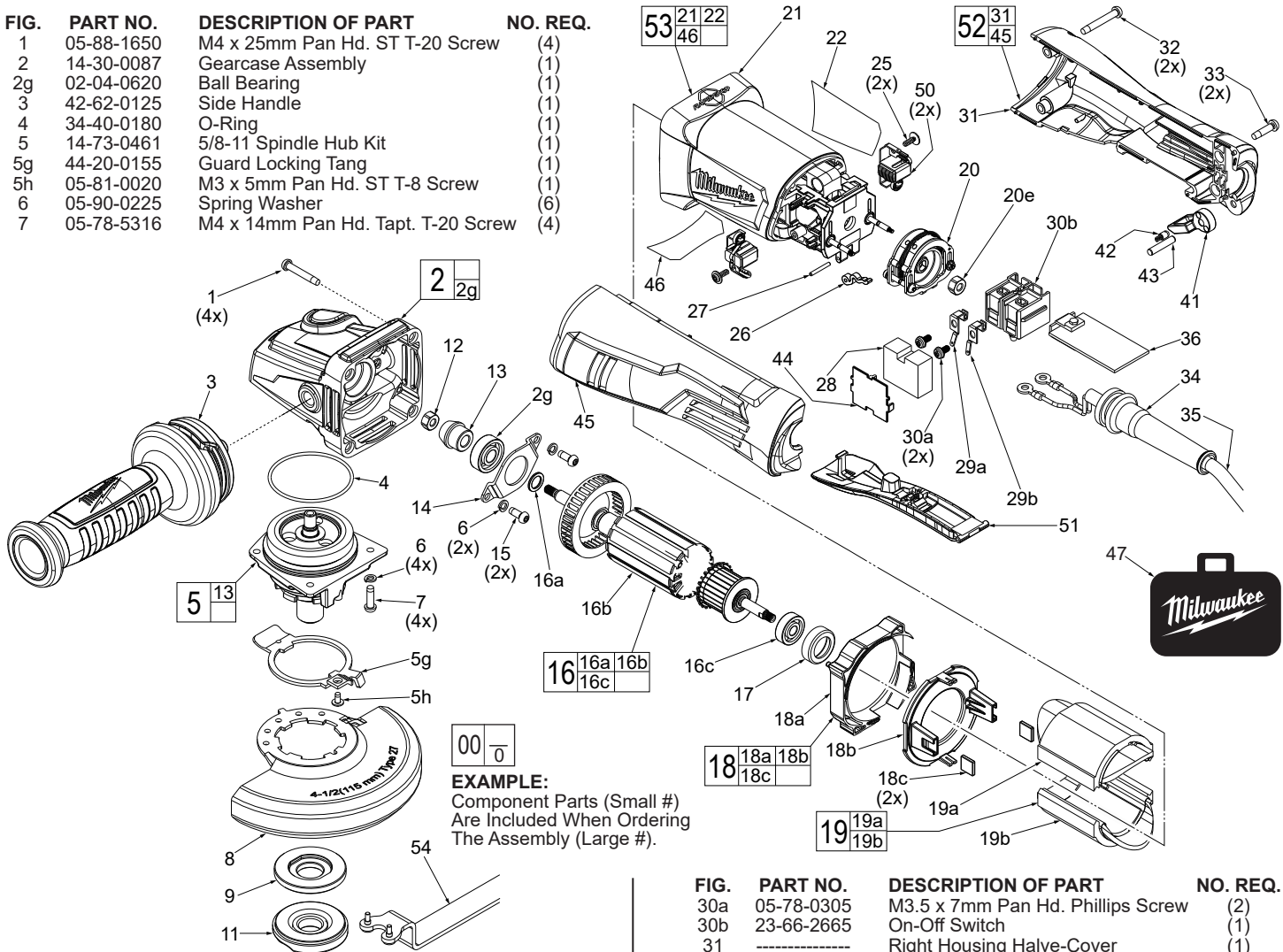
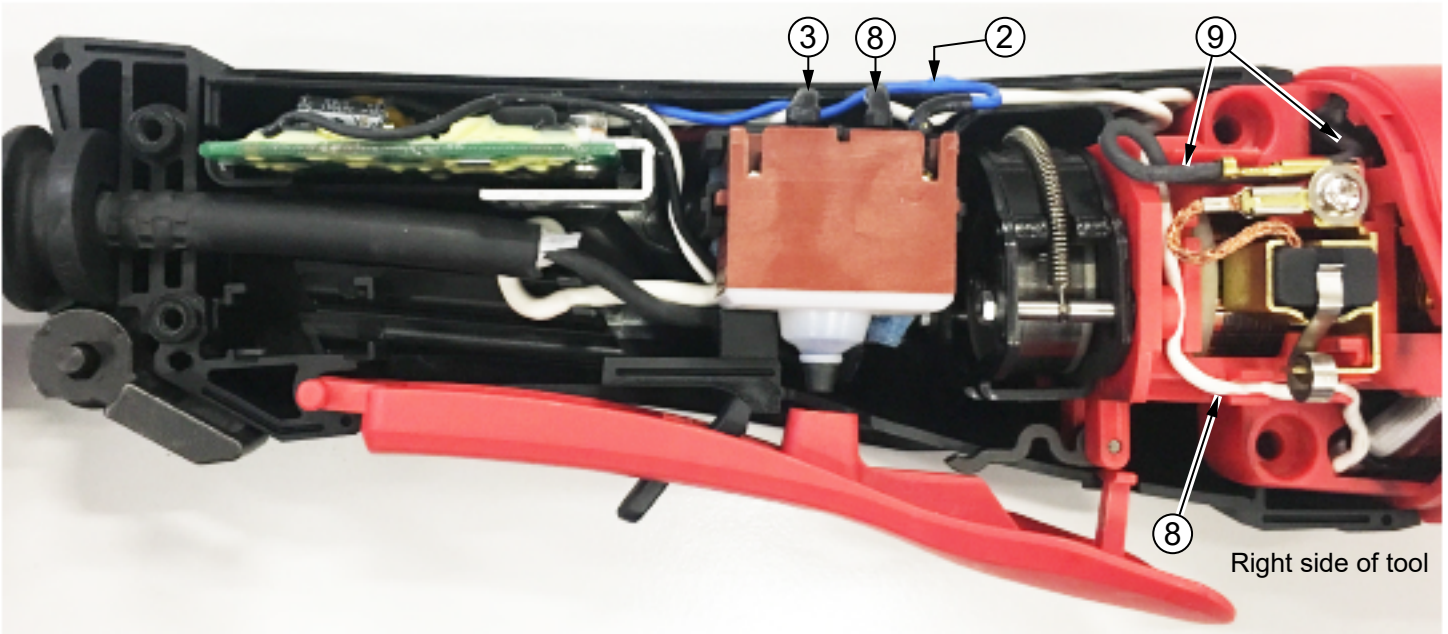
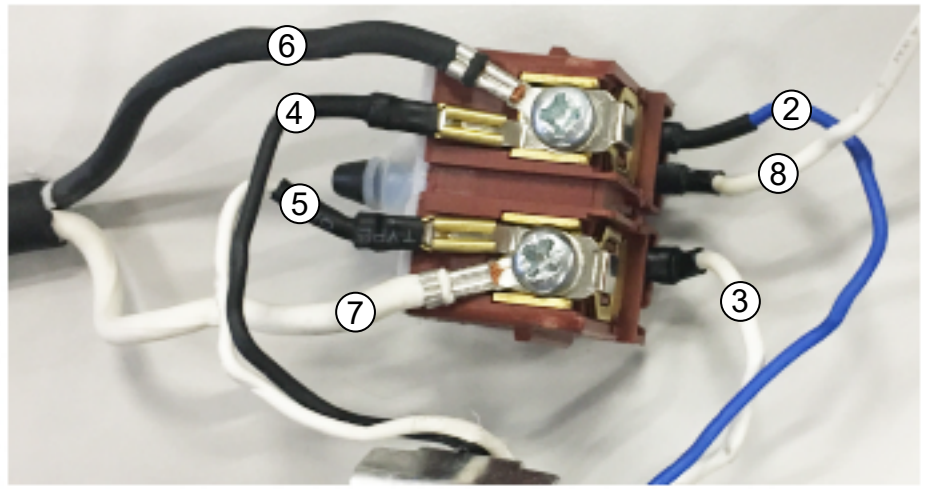
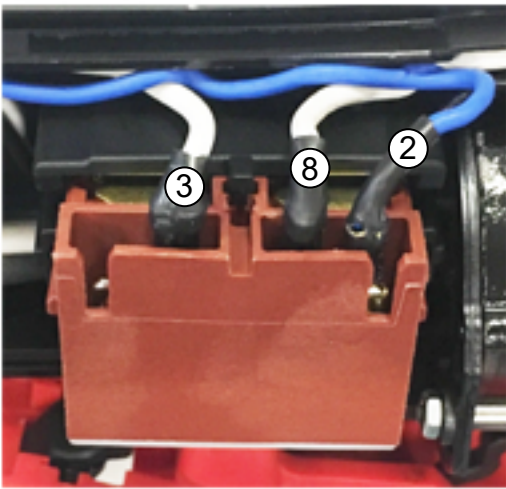


FIG.	PART NO.	DESCRIPTION OF PART	NO. REQ.
8	43-54-1200	4.5" Type 27 Guard	(1)
9	43-34-0935	Inner Disc Flange	(1)
11	05-59-0018	5/8-11 Outer Flange Nut, Fixtec	(1)
12	05-55-0620	Hex Nut	(1)
13	32-60-0301	Bevel Pinion	(1)
14	44-86-0155	Bearing Retainer	(1)
15	05-78-0105	M4 x 10mm Pan Hd. Tapt. T-20 Screw	(2)
16	16-10-0855	Armature Assembly	(1)
16a	45-88-0406	Washer	(1)
16b	-----	Armature	(1)
16c	02-04-2110	Ball Bearing	(1)
17	42-96-0405	Rubber Bearing Cup	(1)
18	42-14-0520	Baffle Assembly	(1)
18a	-----	Baffle	(1)
18b	-----	Baffle Foot	(1)
18c	42-28-0085	Rubber Block	(2)
19	18-07-0320	Field Assembly	(1)
19a	-----	Field Half	(1)
19b	-----	Field Half	(1)
20	14-04-0097	Brake Assembly	(1)
20e	05-55-0625	Hex Nut	(1)
21	-----	Motor Housing	(1)
22	12-20-6142	Service Nameplate	(1)
25	05-88-0030	M3 x 8.5mm Pan Hd. ST T-10 Screw	(2)
26	44-14-0315	Paddle Linkage	(1)
27	06-65-0005	Pin	(1)
28	23-16-0075	Rubber Pad	(1)
29a	23-74-1620	Brass Terminal	(1)
29b	23-74-1615	Brass Terminal	(1)

FIG.	PART NO.	DESCRIPTION OF PART	NO. REQ.
30a	05-78-0305	M3.5 x 7mm Pan Hd. Phillips Screw	(2)
30b	23-66-2665	On-Off Switch	(1)
31	-----	Right Housing Halve-Cover	(1)
32	05-88-1300	M4 x 28mm Pan Hd. ST T-20 Screw	(2)
33	05-88-1200	M4 x 16mm Pan Hd. ST T-20 Screw	(2)
34	44-76-0095	Strain Relief Cord Protector	(1)
35	22-64-2021	Power Cord	(1)
36	22-09-0725	PCBA	(1)
41	44-90-0100	Lanyard Ring	(1)
42	44-60-5380	Steel Cap	(1)
43	44-60-0855	Pin	(1)
44	45-60-0060	Switch Support	(1)
45	-----	Left Housing Halve-Support	(1)
46	10-20-2225	Warning Label	(1)
47	50-55-3550	Contractor Bag	(1)
50	22-18-2241	Carbon Brush Assembly (Set of 2)	(1)
51	31-92-0220	Paddle Trigger Assembly	(1)
52	31-44-6105	Housing Halve Kit	(1)
53	31-50-6145	Motor Housing Kit	(1)
54	49-96-0004	Spanner Wrench	(1)

FIG. LUBRICATION
Use Type 'Y' Grease, No. 49-08-5270
2.5, 13 When servicing the Gear Case Assembly (2), Pinion (13) or the Spindle Hub Assembly (5): 90-95% of the old grease must be removed prior to any new grease being added. Be sure that all gear teeth are heavily coated when reassembling.



- 1 Red From PCBA, connect to red wire #11.
- 2 Blue From PCBA to switch.
- 3 White From PCBA to switch.
- 4 Black From PCBA to switch.
- 5 White From PCBA to switch.
- 6 Black From power cord to switch.
- 7 White From power cord to switch.
- 8 White From bottom right field to switch.
- 9 Black From top right field to right brush assy.
- 10 Black From bottom left field to left brush assy.
- 11 Red From top left field, connect to red #1.

