



SERVICE PARTS LIST

BULLETIN NO.
54-38-3558

SPECIFY CATALOG NO. AND SERIAL NO. WHEN ORDERING PARTS		REVISED BULLETIN	DATE
4-1/2" D.I. SANDER-GRINDER		54-38-3557	Oct. 2004
CATALOG NO.	6140	WIRING INSTRUCTION	
STARTING SERIAL NO.	762E	58-01-0309	

EXAMPLE:

00 0 Component Parts (Small #) Are Included When Ordering The Assembly (Large #).

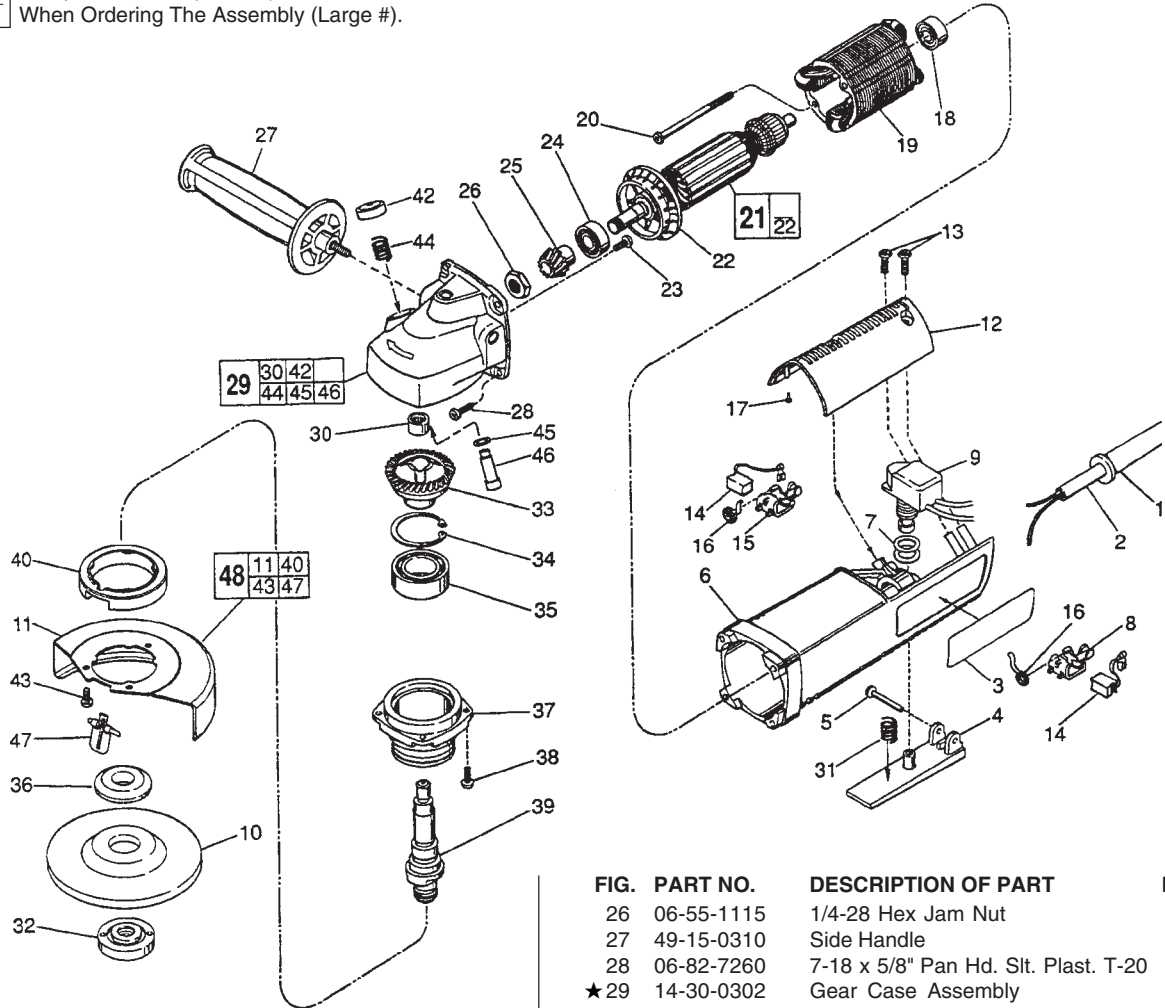


FIG.	PART NO.	DESCRIPTION OF PART	NO.	REQ.
	1	44-76-0130 Cord Protector	(1)	
	2	22-64-0215 Cord Set	(1)	
	3	12-20-0490 Service Nameplate Kit	(1)	
	4	31-92-0112 Trigger	(1)	
	5	06-72-0815 .146 Dia. x 1-3/8" Rivet	(1)	
	6	31-50-0426 Motor Housing	(1)	
	7	34-40-4015 O-Ring	(2)	
	8	22-20-0691 Left Brush Holder	(1)	
	9	23-66-2171 Switch	(1)	
	10	----- 4-1/2" Disc-Select from Catalog	(1)	
★	11	28-41-1020 Hood	(1)	
	12	31-15-0143 Cover	(1)	
	13	06-82-7270 8-16 x 5/8" Pan Hd. Slit. Plast. T-20	(3)	
	14	22-18-0710 Carbon Brush	(2)	
	15	22-20-0692 Right Brush Holder	(1)	
	16	23-52-0240 Brush Spring	(2)	
	17	42-38-0181 Rubber Bumper	(2)	
	18	02-04-0848 Ball Bearing	(1)	
	19	18-07-0055 120 Volt Field	(1)	
	20	06-82-7375 8-16 x 2-1/2" Pan Hd. Plast. T-20	(2)	
	21	16-07-0060 120 Volt Armature	(1)	
	22	22-84-0680 Fan	(1)	
	23	06-82-2292 8-32 x 3/8" Pan Hd. Slit. Taptite T-20	(2)	
	24	02-04-1020 Ball Bearing	(1)	
	25	32-60-1305 Pinion	(1)	

FIG.	PART NO.	DESCRIPTION OF PART	NO.	REQ.
	26	06-55-1115 1/4-28 Hex Jam Nut	(1)	
	27	49-15-0310 Side Handle	(1)	
	28	06-82-7260 7-18 x 5/8" Pan Hd. Slit. Plast. T-20	(4)	
★	29	14-30-0302 Gear Case Assembly	(1)	
	30	02-50-2423 Needle Bearing	(1)	
	31	40-50-1300 Coil Spring	(1)	
★	32	49-05-0110 Flange Nut	(1)	
	33	32-05-2240 Spiral Bevel Gear	(1)	
	34	34-80-2960 Retaining Ring-Internal	(1)	
	35	02-04-1746 Ball Bearing	(1)	
★	36	49-05-0125 Flange	(1)	
★	37	28-52-0222 Spindle Hub	(1)	
	38	06-82-5316 8-32 x 1/2" Pan Hd. Slit. Taptite T-20	(4)	
★	39	38-50-5212 Spindle	(1)	
★	40	45-36-1551 Spacer	(1)	
	42	31-12-0205 Cap	(1)	
★	43	06-82-7251 8-16 x 3/8" Pan Hd. Slit. Plastite T-20	(3)	
	44	40-50-8650 Coil Spring	(1)	
	45	34-40-4300 O-Ring	(1)	
★	46	44-60-0845 Lock Pin	(1)	
★	47	44-20-0325 Lock Lever	(1)	
★	48	49-12-0365 Guard Assembly	(1)	
		49-96-7201 Spanner Wrench	(1)	

FIG. LUBRICATION

29 1/4 Oz. "O" Grease, No. 49-08-4200.

FIG. NOTES:

- 26 Torque To 60 In./Lbs.
- 37 Position The Spindle Hub With The Side That Has The Word "Back" Orientated Toward The Rear Of The Tool.

MILWAUKEE ELECTRIC TOOL CORPORATION
13135 W. LISBON RD., BROOKFIELD, WI 53005