



SERVICE PARTS LIST

BULLETIN NO.
55-38-6140

SPECIFY CATALOG NO. AND SERIAL NO. WHEN ORDERING PARTS		REVISED BULLETIN	DATE
4.5" (115mm) ANGLE GRINDER			Sept. 2010
CATALOG NO. 6130-59A	STARTING SERIAL NO. C47A	WIRING INSTRUCTION See Reverse Side	

EXAMPLE:
00 0 Component Parts (Small #)
Are Included When Ordering
The Assembly (Large #).

FIG.	PART NO.	DESCRIPTION OF PART	NO. REQ.
27	31-92-0015	Slide Switch Button	(1)
28	31-92-0020	Slide Pole	(1)
29	02-04-0620	Ball Bearing	(1)
30	02-04-2115	Ball Bearing	(1)
31	34-80-0020	Retaining Ring	(1)
32	42-42-0020	Spindle Lock Button	(1)
33	40-50-1330	Spring	(1)
34	34-40-0270	O-Ring	(1)
35	42-60-0015	Spindle Lock Pin	(1)
36	42-40-0025	Bushing	(1)
37	32-05-0017	Bevel Gear	(1)
38	28-14-0055	Gearcase	(1)
39	38-50-0130	M14 Spindle	(1)
40	34-60-0105	Retaining Plate	(1)
	42-62-0110	Side Handle (Not Shown)	(1)
	43-54-1100	4.5" T27 Guard (Not Shown) (Standard)	(1)

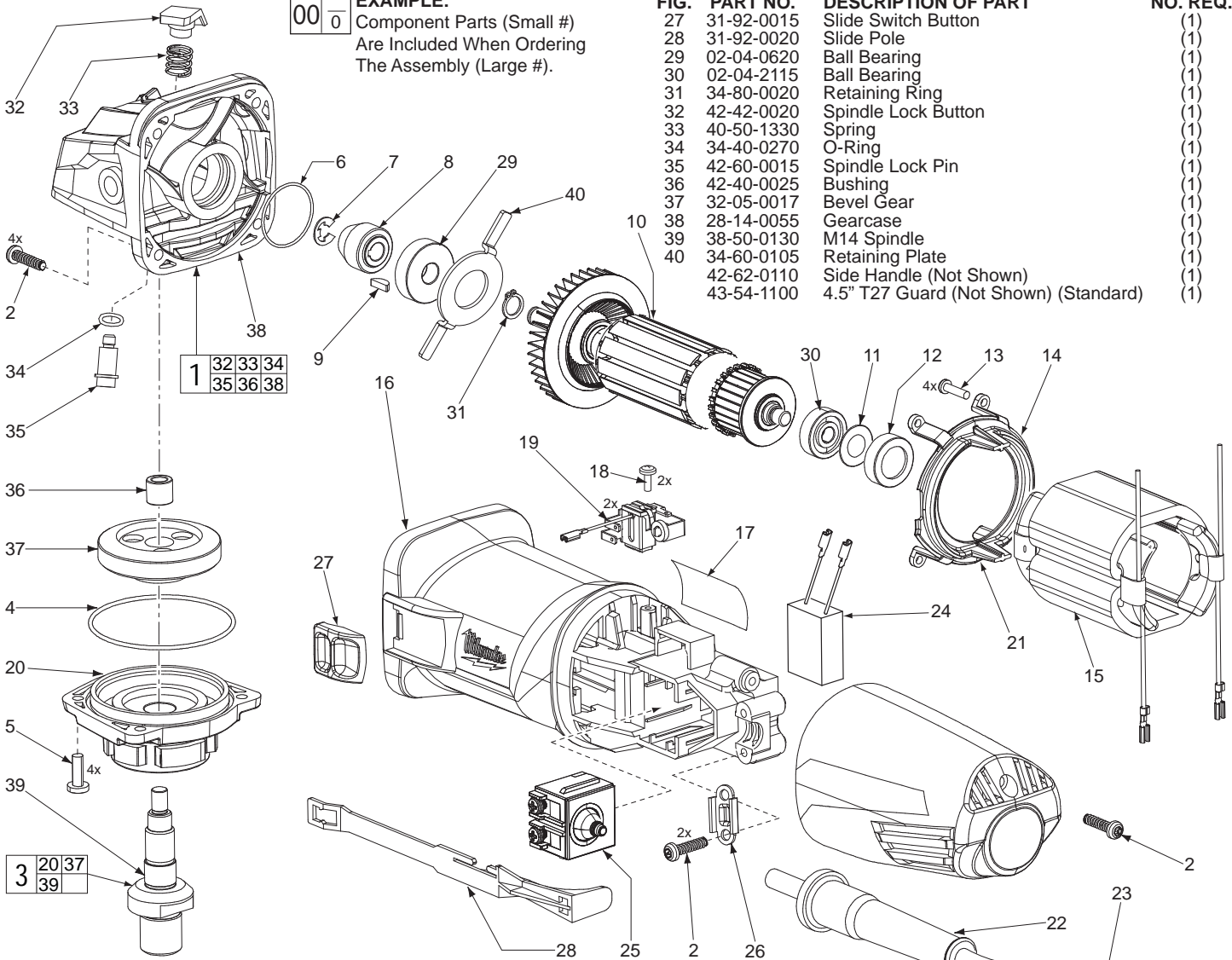


FIG.	PART NO.	DESCRIPTION OF PART	NO. REQ.
1	14-29-0215	Gearcase Assembly	(1)
2	05-88-1200	M4 x 16 Pan Hd. Plastite T-20 Screw	(7)
3	14-73-0015	M14 Spindle/Hub Assembly	(1)
4	34-40-0095	O-Ring	(1)
5	06-82-2380	#8-32 x 1/2" Pan Hd. Sl. Tapt. T-20 Screw	(4)
6	34-40-0275	O-Ring	(1)
7	34-80-0015	Bowed E-Ring	(1)
8	32-60-0122	Bevel Pinion	(1)
9	43-96-0020	Woodruff Key	(1)
10	16-04-0185	Service Armature Assembly	(1)
11	45-88-0695	Washer	(1)
12	42-96-0175	Rubber Bearing Cup	(1)
13	05-81-0100	M3 x 8 Phillips Hd. Screw	(4)
14	42-14-0020	Baffle	(1)
15	18-07-0110	Service Field Assembly	(1)
16	31-50-0916	Motor Housing	(1)
17	-----	Nameplate	(1)
18	05-88-1100	M3 x 10 Pan Hd. T-10 Screw	(2)
19	22-22-0095	Carbon Brush Assembly	(2)
20	14-73-0025	Lower Gearcase Hub	(1)
21	31-50-0935	Rear Handle	(1)
22	44-76-0210	Cord Protector	(1)
23	22-64-4035	Cordset	(1)
24	23-38-0025	Capacitor	(1)
25	23-66-0385	Switch	(1)
26	31-17-0040	Cord Clamp	(1)

FIG.	PART NO.	DESCRIPTION OF PART	NO. REQ.
	43-54-1115	4.5" T1 Guard (Not Shown) (Optional)	(1)
	49-96-0015	Spanner Wrench (Not Shown)	(1)
	43-05-0055	M14 Inner Disk Flange (Not Shown)	(1)
	44-40-0125	M14 Outer Disk Flange (Not Shown)	(1)

*** LUBRICATION NOTE:** When servicing the Gears (8 & 37) or the Gearcase (38), 90-95% of the old grease must be removed prior to new grease being added.

- FIG. LUBRICATION (*See lubrication note above):**
- 8,37 Type "Y" Grease, No. 49-08-5270, Must Be Applied To All Gear Teeth.
 - 4,38 Lightly coat with grease O-Ring and bearing bore in Gearcase.
 - 38 .4 Ounces (13 Grams) Type "Y" Grease, No. 49-08-5270.

MILWAUKEE ELECTRIC TOOL CORPORATION
13135 W. Lisbon Road, Brookfield, WI 53005
Drwg. 2