



SERVICE PARTS LIST

BULLETIN NO.
54-38-1742

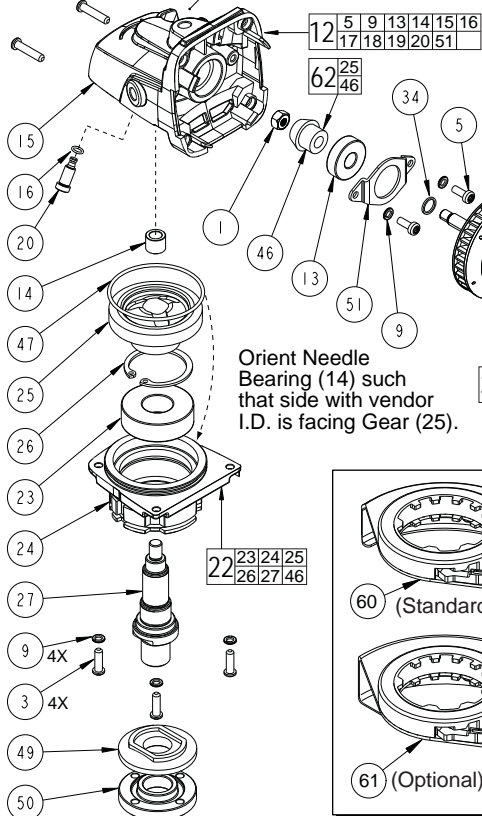
SPECIFY CATALOG NO. AND SERIAL NO. WHEN ORDERING PARTS			REVISED BULLETIN	DATE
4.5" & 5" RAT-TAIL ANGLE GRINDERS			54-38-1741	Nov. 2010
CAT. NO.	6122-31 6122-31A	4.5" 5"	STARTING SERIAL NUMBER	B66C
WIRING INSTRUCTION				See Reverse Side

EXAMPLE:
Component Parts (Small #) Are Included
When Ordering The Assembly (Large #).

*** LUBRICATION NOTE:**
When servicing the Gears (25 & 46)
or the Gearcase (15), 90-95% of the
old grease must be removed prior
to new grease being added.

★ = Part number change from
previous service parts list.
Rubber Slug (45) is to be placed in a
cavity by the bearing bore in the
back of Motor Housing (44).

Functionally check Spindle
Lock mechanism. Spindle
Lock Pin (20) must return
briskly when released from
engagement in Gear (25).
NOTE:
Torque Armature Nut (1)
to 47 in/lbs, 55 kg/cm.



Orient Needle
Bearing (14) such
that side with vendor
I.D. is facing Gear (25).

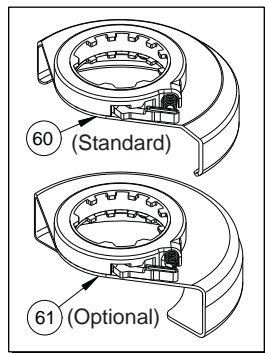


FIG.	PART NO.	DESCRIPTION OF PART	NO. REQ.
1	05-55-0620	M5 Hex Nut	(1)
2	05-88-1200	M4 x 16 Pan Hd. T-20 Screw	(4)
3	05-88-1210	M4 x 14 Pan Hd. T-20 Screw	(4)
4	05-88-1250	M4 x 20 Pan Hd. T-20 Screw	(4)
5	05-88-1280	M4 x 10 Pan Hd. T-20 Screw	(2)
6	05-88-1290	M4 x 76 Pan Hd. T-20 Screw	(2)
7	05-88-1650	M4 x 25 Pan Hd. T-20 Screw	(3)
8	05-88-1610	M3.5 x 10 Pan Hd. T-10 Screw	(2)
9	05-90-0225	M4 Lock Washer	(6)
10	12-20-6116	Service Nameplate	(1)
11	10-15-1230	Warning Label	(1)
12	14-29-0312	Gearcase Assembly	(1)
13	02-04-0620	Ball Bearing	(1)
14	02-50-0025	Needle Bearing	(1)
15	-----	Gearcase	(1)
16	34-40-0450	O-Ring	(1)
17	40-50-1330	Compression Spring	(1)
18	42-42-0580	Spindle Lock Tube	(1)
19	42-42-0590	Spindle Lock Button	(1)
20	42-60-1660	Spindle Lock Pin	(1)
21	14-34-0780	Rear Handle Assembly	(1)
★22	14-73-0411	Spindle/Hub Assembly	(1)
23	02-04-1150	Ball Bearing	(1)
24	28-53-0410	Lower Gearcase Hub	(1)

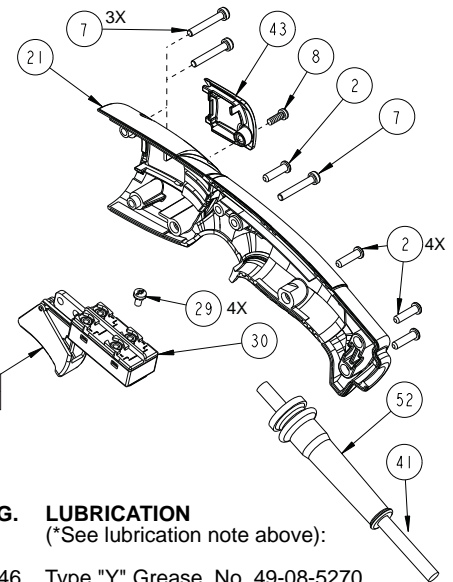
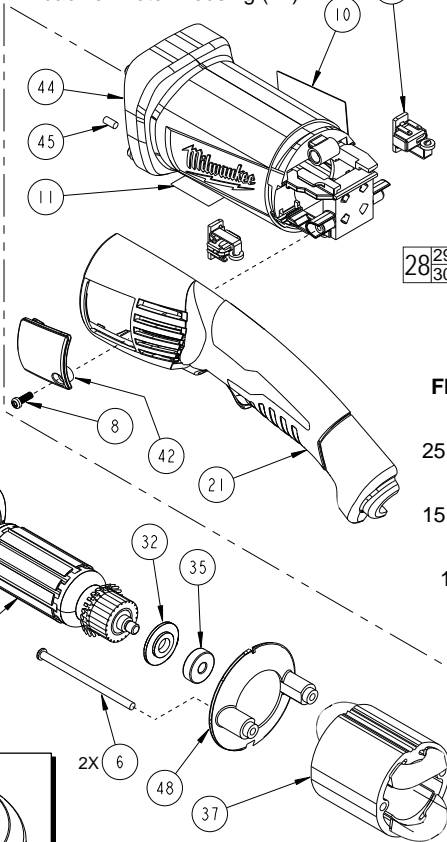


FIG. LUBRICATION
(*See lubrication note above):

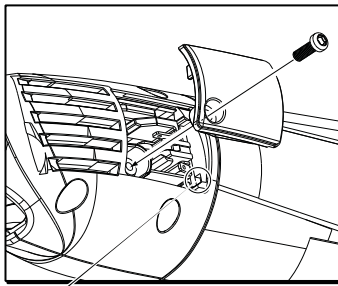
- 25,46 Type "Y" Grease, No. 49-08-5270,
Must Be Applied To All Gear Teeth.
- 15,47 Lightly coat with grease O-Ring and
bearing bore in Gearcase.
- 15 .3 - .4 Ounces (9-12 Grams)
Type "Y" Grease, No. 49-08-5270.

Orient Insulator Disc (32) with shoulder
facing Ball Bearing (35) as shown.
Exercise caution when installing. Make
sure that the Insulator Disc rests against
commutator bars with no visible gap.

Orient Fan Baffle (48) with small notch
to the top and large notch to the bottom.

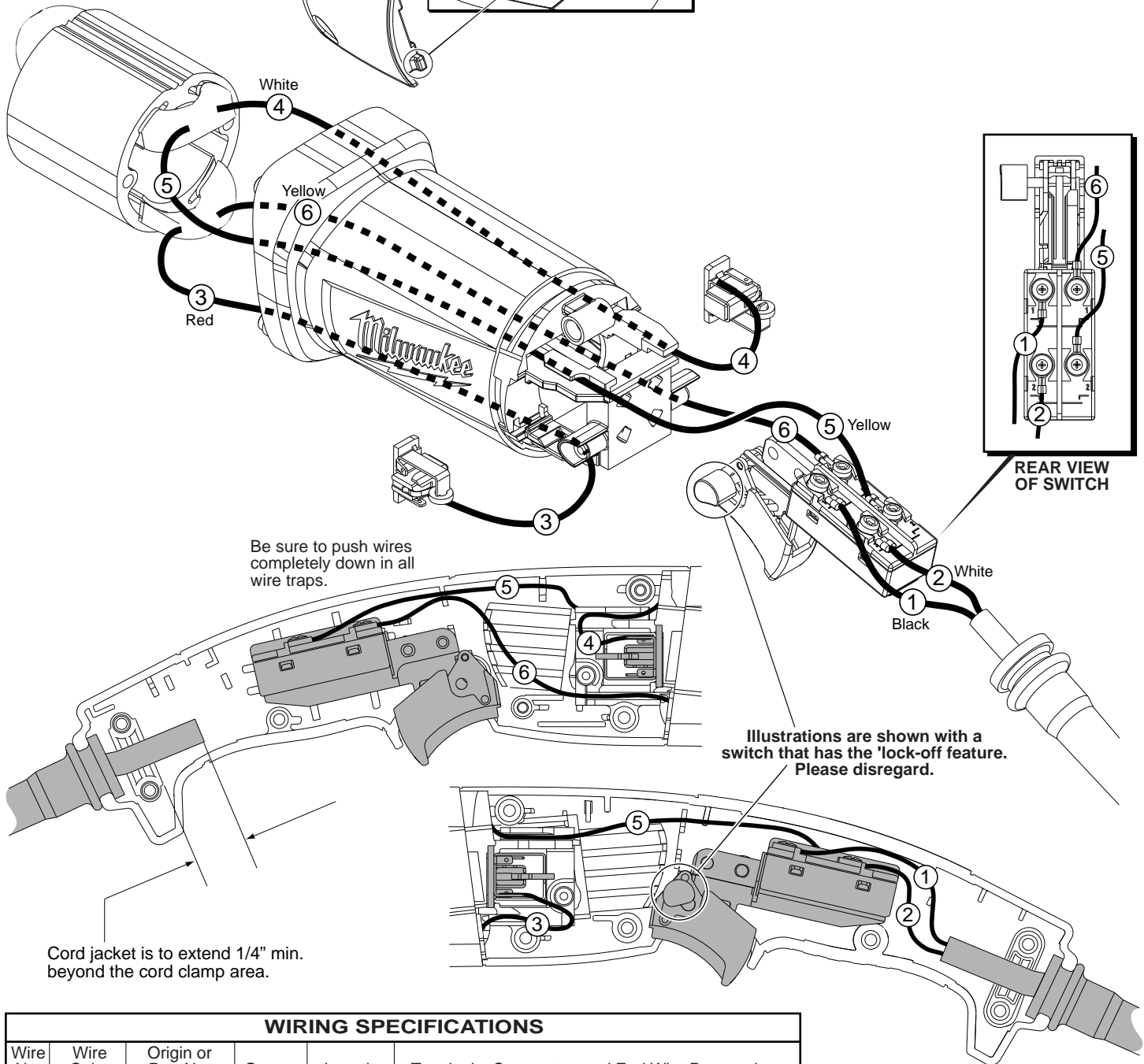
FIG.	PART NO.	DESCRIPTION OF PART	NO. REQ.
★25	-----	Bevel Gear	(1)
26	34-80-2275	Retaining Ring	(1)
27	38-50-1280	Spindle	(1)
28	14-78-0525	Switch Assembly	(1)
29	05-88-1600	M4 x 10 Pan Hd. St. T-15 Screw	(4)
30	23-66-2685	Switch	(1)
31	16-10-7020	Service Armature Assembly	(1)
32	-----	Insulation Disc	(1)
34	45-88-0406	Washer	(1)
35	02-04-2110	Ball Bearing	(1)
37	18-07-2330	Service Field	(1)
39	22-22-1560	Carbon Brush Assembly	(2)
41	22-64-2020	Cord	(1)
42	31-15-1550	Brush Cover - Left	(1)
43	31-15-1555	Brush Cover - Right	(1)
44	31-50-2600	Motor Housing	(1)
45	31-53-0240	Rubber Slug	(1)
★46	-----	Bevel Pinion	(1)
47	34-40-0180	O-Ring	(1)
48	42-14-0025	Fan Baffle	(1)
49	43-34-0036	Inner Disk Flange	(1)
50	44-40-0035	Outer Flange Nut	(1)
51	44-66-0450	Bearing Retainer	(1)
52	44-76-0210	Strain Relief	(1)
60	43-54-1070	4.5" T27 Guard Assembly (Standard)	(1)
	43-54-1075	5" T27 Guard Assy. (w/o 6122-31A) (Standard)	(1)
61	43-54-1090	4.5" T1 Guard Assembly (Optional)	(1)
	43-54-1095	5" T1 Guard Assy. (w/o 6122-31A) (Optional)	(1)
★62	14-29-0025	Gear Set	(1)
	42-62-0100	Side Handle (Not Shown)	(1)
	49-96-7215	Spanner Wrench (Not Shown)	(1)

Right Brush Cover (43) has to be taken off in order to remove Right Rear Handle of tool for servicing. Brush Covers fit tightly in the Motor Housing. Do not try and pry the Brush Covers open around the exterior of part. Brush Covers have tabs that lock into notches of the Motor Housing (44) and work like hinges. Once Screw (8) is removed, insert a small pin or equivalent into the screw hole to aid in lifting Brush Cover. To reinstall Brush Covers, insert tabs into Motor Housing notches and snap down into place. Secure with Screw.



AS AN AID TO REASSEMBLY, TAKE NOTICE OF WIRE ROUTING AND POSITION IN WIRE GUIDES AND TRAPS WHILE DISMANTLING TOOL.

BE CAREFUL AND AVOID PINCHING WIRES BETWEEN HANDLE HALVES WHEN ASSEMBLING.



WIRING SPECIFICATIONS

Wire No.	Wire Color	Origin or Part No.	Gauge	Length	Terminals, Connectors and End Wire Preparation
1	Black	22-64-2020	--	--	Component of Cord Set.
2	White	22-64-2020	--	--	Component of Cord Set.
3	Red	18-07-2330	--	--	Component of Service Field.
4	White	18-07-2330	--	--	Component of Service Field.
5	Yellow	18-07-2330	--	--	Component of Service Field.
6	Yellow	18-07-2330	--	--	Component of Service Field.

BULK LEAD WIRE - BULLETIN 58-01-0003

NOTE:
All leads must be held to $\pm 1/16"$.
All lead lengths are before stripping.

TERMINAL DESCRIPTION		
Code	Part No.	Qty.
CONNECTOR DESCRIPTION		