



SERVICE PARTS LIST

BULLETIN NO.
54-38-0826

SPECIFY CATALOG NO. AND SERIAL NO. WHEN ORDERING PARTS		REVISED BULLETIN	DATE
BAND FILE		54-38-0825	May '96
CATALOG NO. 6101	STARTING SERIAL NO. 878B	WIRING INSTRUCTION 58-01-0309	

EXAMPLE:

Component Parts (Small #) Are Included When Ordering The Assembly (Large #).

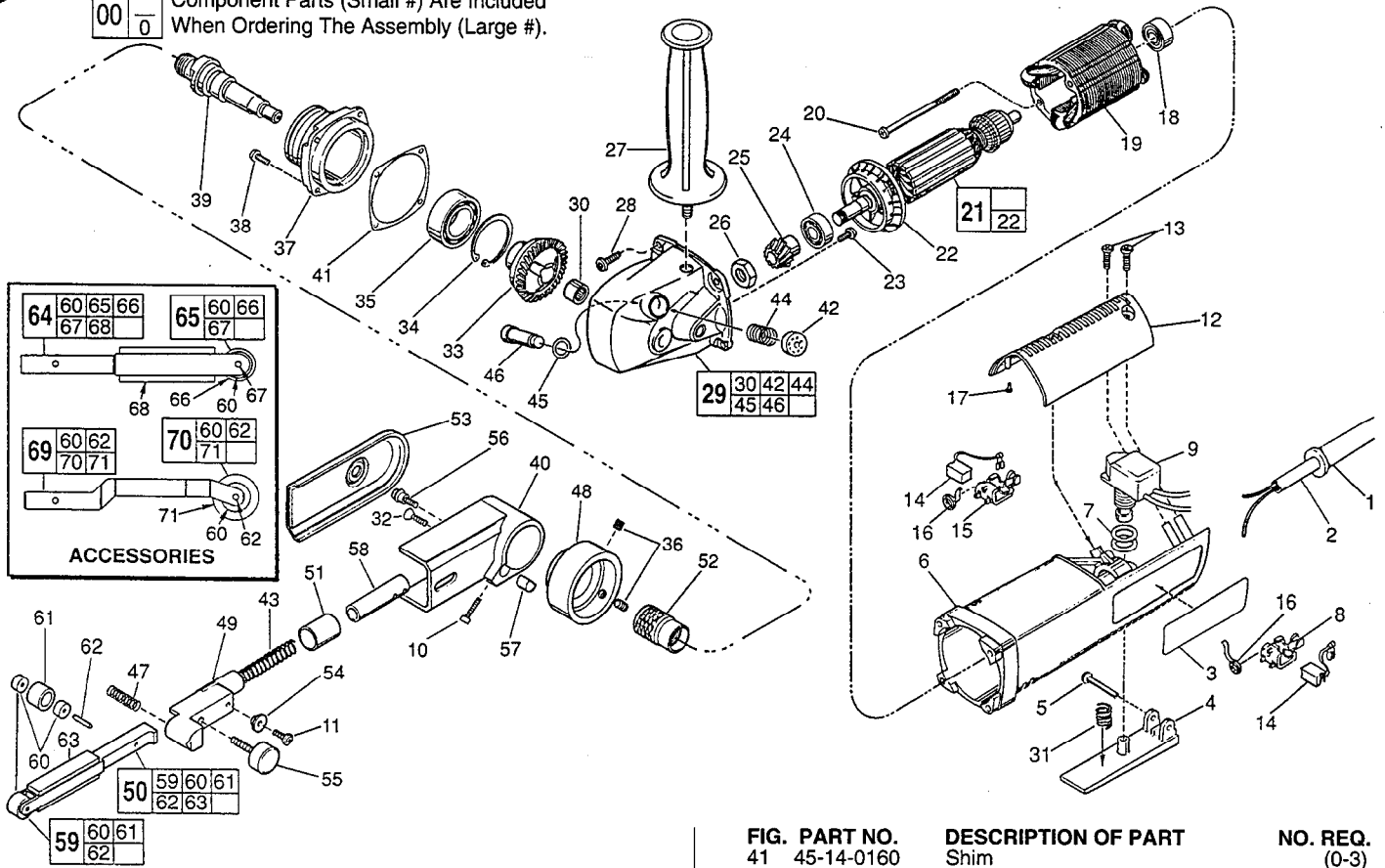


FIG. PART NO.	DESCRIPTION OF PART	NO. REQ.
1	44-76-0130	(1)
2	22-64-0215	(1)
3	12-20-1295	(1)
4	31-92-0112	(1)
5	06-72-0815	(1)
★ 6	31-50-0426	(1)
7	34-40-4015	(2)
8	22-20-0691	(1)
9	23-66-2171	(1)
10	06-75-2500	(1)
11	06-75-2510	(1)
12	31-15-0143	(1)
13	06-82-7270	(3)
14	22-18-0710	(2)
15	22-20-0692	(1)
16	23-52-0240	(2)
17	42-38-0181	(2)
18	02-04-0848	(1)
19	18-07-0055	(1)
20	06-82-7375	(2)
21	16-07-0060	(1)
22	22-84-0680	(1)
23	06-82-2292	(2)
24	02-04-1020	(1)
25	32-60-1305	(1)
26	06-55-1115	(1)
27	49-15-0310	(1)
★ 28	06-82-7260	(4)
29	14-30-0301	(1)
30	02-50-2423	(1)
31	40-50-1300	(1)
32	06-75-2520	(1)
33	32-05-2240	(1)
34	34-80-2960	(1)
35	02-04-1746	(1)
36	06-83-1500	(2)
37	28-53-0220	(1)
38	06-82-5316	(4)
39	38-50-5202	(1)
40	28-50-0250	(1)

FIG. PART NO.	DESCRIPTION OF PART	NO. REQ.
41	45-14-0160	(0-3)
42	31-12-0205	(1)
43	40-50-0205	(1)
44	40-50-8650	(1)
45	34-40-4300	(1)
46	44-60-0845	(1)
47	40-50-0210	(1)
48	42-04-0700	(1)
49	42-09-0150	(1)
50	42-09-0160	(1)
51	42-92-1200	(1)
52	43-12-0100	(1)
53	43-54-0605	(1)
54	43-56-0560	(1)
55	43-98-0600	(1)
56	44-20-0400	(1)
57	44-20-0401	(1)
58	45-60-0350	(1)
59	45-94-0390	(1)
60	02-04-0350	(2)
61	42-09-0175	(1)
62	45-08-0380	(1)
63	44-66-5516	(2)
64	42-09-0170	(1)
65	45-94-0400	(1)
66	42-09-0185	(1)
67	45-08-0385	(1)
68	44-66-5517	(2)
69	42-09-0165	(1)
70	45-94-0395	(1)
71	42-09-0180	(1)
★	49-96-0065	(1)

FIG. LUBRICATION
29 1/4 Oz. "O" Grease, No. 49-08-4200.

FIG. NOTES:
26 Torque To 45 In./Lbs.

MILWAUKEE ELECTRIC TOOL CORPORATION
13135 W. LISBON RD., BROOKFIELD, WI 53005