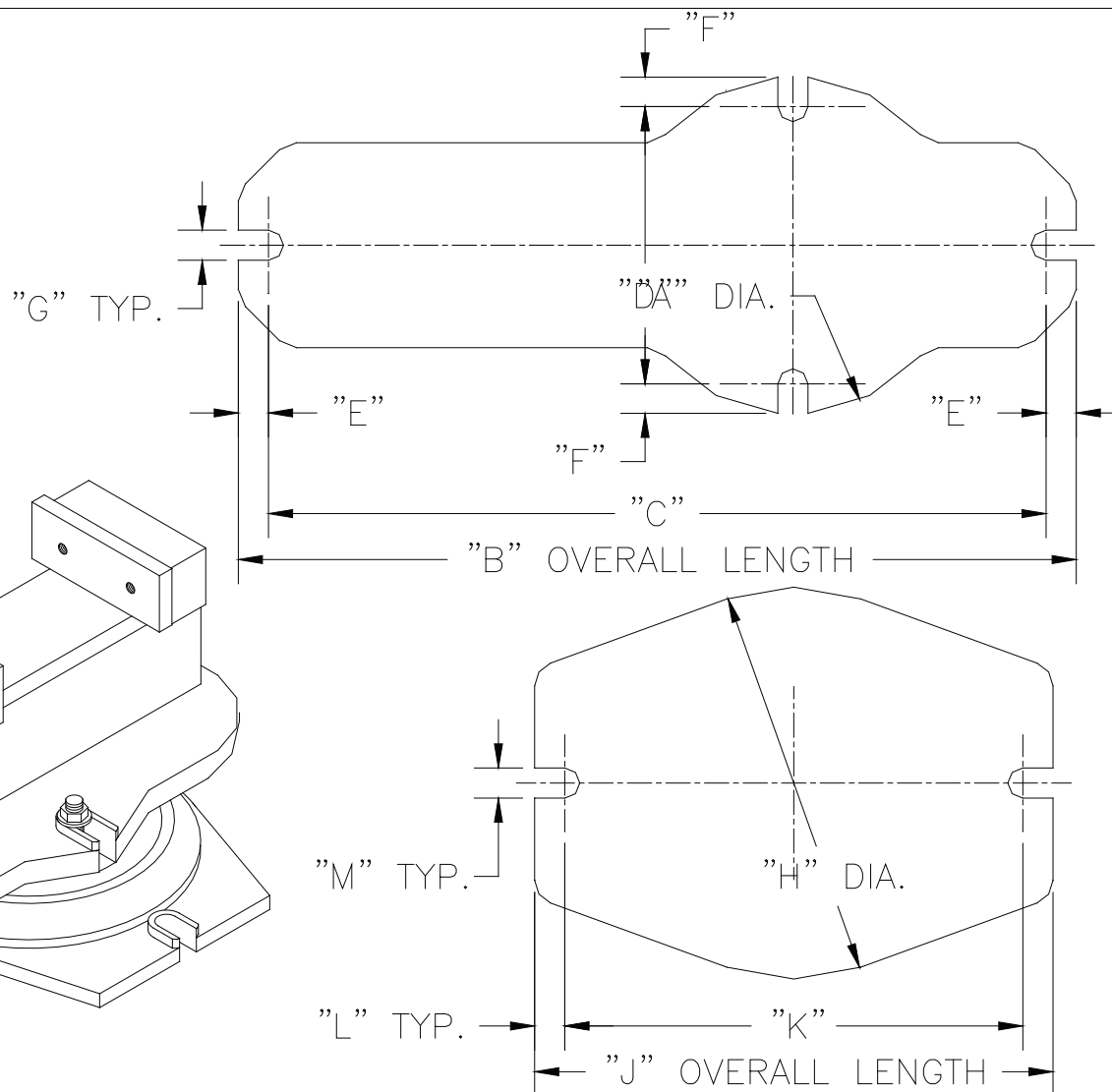
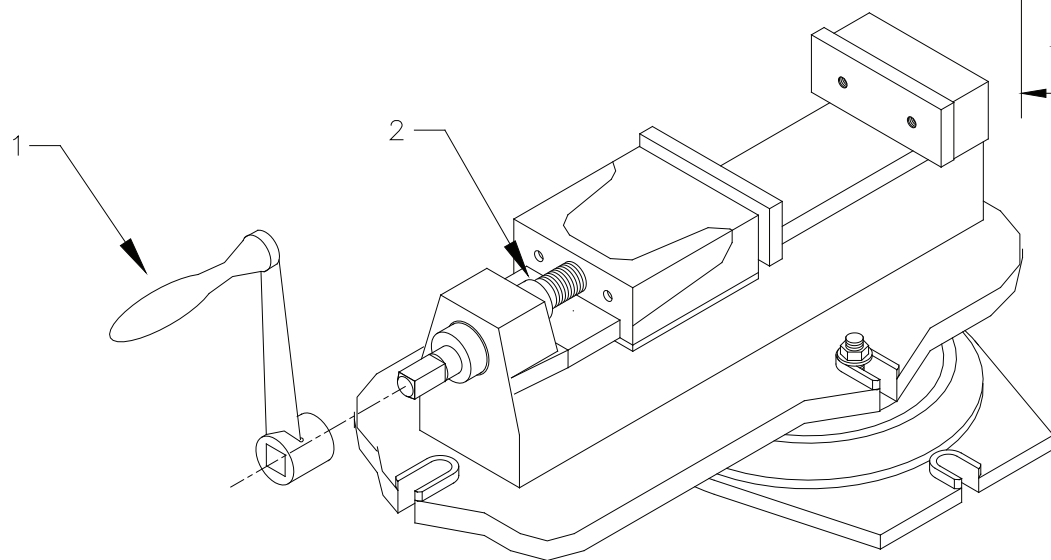


MILLING MACHINE VISES With Swivel Bases Replacement Parts And Base Dimensions:



WILTON MODEL NUMBER	BASIC VISE SIZE JAW WIDTH	BASIC VISE SIZE JAW HEIGHT	MAXIMUM VISE JAW OPENING	ITEM #1 CRANK HANDLE	ITEM #2 THREADED SPINDLE
50S	5"	1-5/8"	3-1/4"	1500821	1500891
60S	6"	1-7/8"	4-3/8"	1500861	1500851

WILTON MODEL NUMBER	VISE BASE DIMENSIONS:							SWIVEL BASE DIMENSIONS:				
	"A" DIAMETER	"B" OVERALL	"C" SLOT C/L	"D" SLOT C/L	"E" DEPTH	"F" DEPTH	"G" (ALL) WIDTH	"H" DIAMETER	"J" OVERALL	"K" SLOT C/L	"L" (ALL) DEPTH	"M" (ALL) WIDTH
50S	5-3/4"	14-13/16"	13-11/16"	4-1/2"	9/16"	5/8"	5/8"	6-3/4"	9-7/16"	8-3/16"	5/8"	5/8"
60S	7"	17-3/8"	16-1/8"	5-3/4"	5/8"	5/8"	5/8"	8-1/8"	10-3/4"	9-1/2"	5/8"	5/8"