



# SERVICE PARTS LIST

BULLETIN NO.  
54-38-0751

SPECIFY CATALOG NO. AND SERIAL NO. WHEN ORDERING PARTS		REVISED BULLETIN	DATE
7" GRINDER - 6000 R.P.M.		54-38-0750	Mar. '98
CATALOG NO. 6068	STARTING SERIAL NO. 817A	WIRING INSTRUCTION	
		58-01-0307	

**EXAMPLE:**

00 0  
Component Parts (Small #) Are Included  
When Ordering The Assembly (Large #)

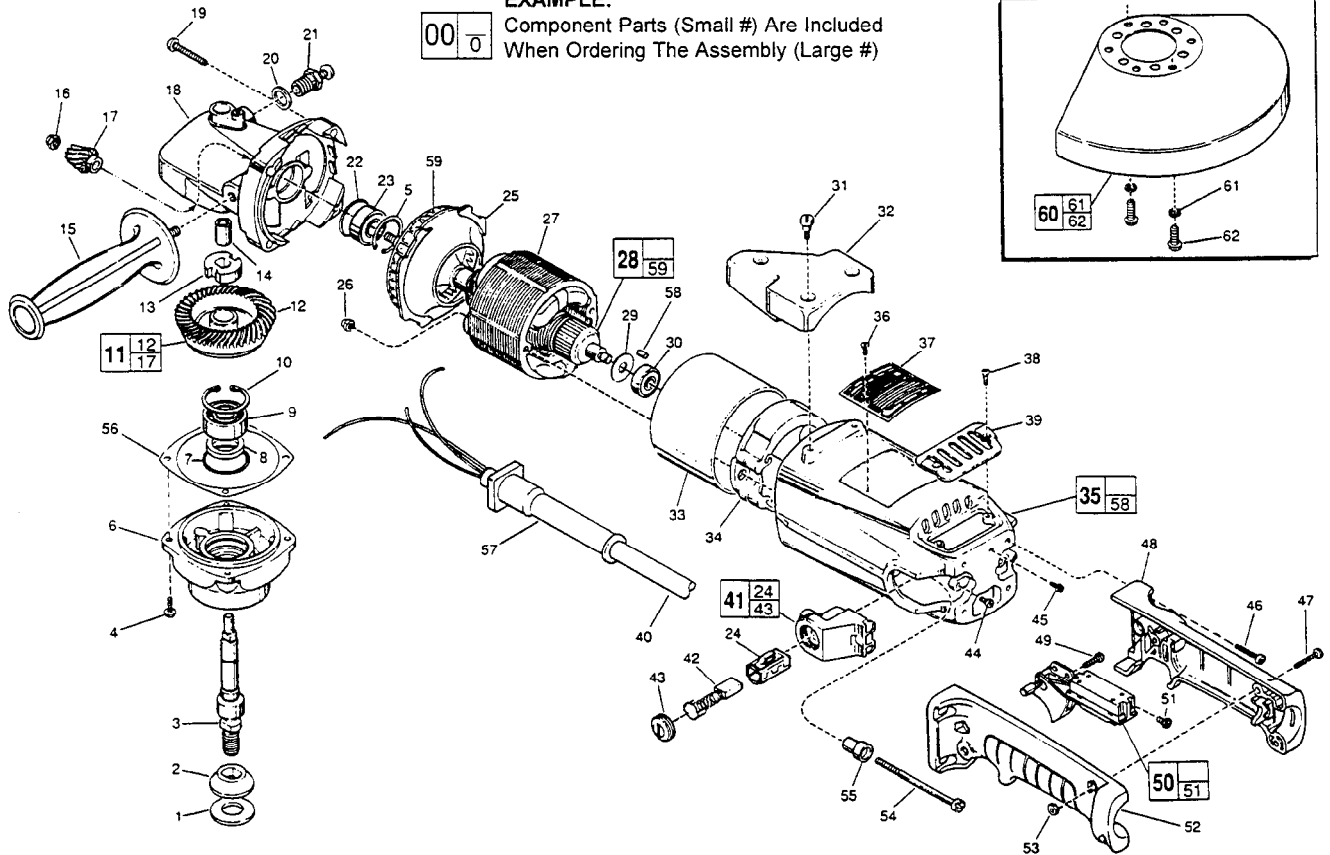


FIG.	PART NO.	DESCRIPTION OF PART	QTY
	1	Spindle Washer	(1)
	2	Washer Flange	(1)
	3	Spindle Shaft	(1)
★	4	10-24 x 5/8" Pan Hd. Taptite, T-25	(4)
	5	Internal Retaining Ring	(1)
	6	Lower Gear Case	(1)
★	7	O-Ring	(1)
	8	Felt Seal	(1)
★	9	Ball Bearing	(1)
	10	Retaining Ring - Internal	(1)
	11	Bevel Gear Kit	(1)
	12	Spiral Bevel Gear	(1)
	13	Spindle Locking Cog	(1)
	14	Needle Bearing	(1)
	15	Side Handle	(1)
★	16	1/4 - 28 Locking Hex Nut	(1)
	17	Spiral Bevel Pinion	(1)
	18	Upper Gear Case	(1)
	19	1/4-20 x 1-1/4" Pan Hd. Taptite, T-30	(4)
	20	Flat Washer	(1)
	21	Spindle Lock Assembly	(1)
	22	O-Ring	(1)
	23	Ball Bearing	(1)
	24	Brush Tube	(2)
	25	Baffle	(1)
	26	10-32 Locking Hex Nut	(2)
	27	120 Volt Field	(1)
	28	120 Volt Armature	(1)
	29	Dust Seal	(1)
	30	Ball Bearing	(1)
★	31	Shoulder Screw	(3)
	32	Tool Rest	(1)
	33	Insulating Sleeve	(1)
	34	Coil Shield	(1)
	35	Motor Housing	(1)
★	36	6-32 x 1/4" Pan Hd. Taptite, T-15	(2)
★	37	Nameplate Blank	(1)
★	38	8-32 x 3/8" Flat Hd. Taptite, T-15	(2)

FIG.	PART NO.	DESCRIPTION OF PART	QTY
	39	Cover Plate	(1)
	40	Cord Set	(1)
	41	Brush Holder Assembly	(2)
	42	Carbon Brush Assembly	(2)
	43	Brush Retaining Cap	(2)
	44	8-32 x 3/8" Pan Hd. T-20	(2)
	45	8-32 x 5/16" Slot Hex Hd. Screw	(1)
	46	10-24 x 7/8" Pan Hd. Taptite, T-25	(4)
	47	10-24 x 1" Pan Hd. T-25	(3)
	48	Right Handle Half	(1)
	49	8-16 x 1/2" Pan Hd. Plastite, T-20	(1)
	50	Switch	(1)
	51	M 3.5 Switch Screw, T-15	(4)
	52	Left Handle Half	(1)
	53	10-24 Hex Nut	(3)
	54	10-32 x 3-3/16" Field Screw, T-25	(2)
	55	31-86-0160 Insulating Bushing	(2)
	56	45-14-0225 Shim - Blue .005 Thick	(1)
		45-14-0210 Shim - Red .010 Thick	(1)
	57	44-76-0170 Cord Protector	(1)
	58	45-30-0070 Ball Bearing Retaining Slug	(1)
	59	22-84-0800 Fan	(1)
★	60	49-12-0355 7" Wheel Guard Assembly	(1)
	61	06-97-4000 1/4" Split Ring Lockwasher	(2)
	62	06-95-5630 1/4-20 x 1/2" Special Screw	(2)

**FIG. NOTES**

- 13 Dimple Side To Fig. 12
- 56 As Required (Max. .015")
- 4 Apply type 242 Blue Locite to threads

**FIG. LUBRICATION**

- 18 2 Oz. Type "G" Grease, No. 49-08-4140

MILWAUKEE ELECTRIC TOOL CORPORATION  
13135 W. Lisbon Road, Brookfield, WI 53005  
Drwg. 1