



SERVICE PARTS LIST

BUL. 54-38-3107

9" DISC SANDER

REVISED BUL 54-38-3106 DATE Nov. '68

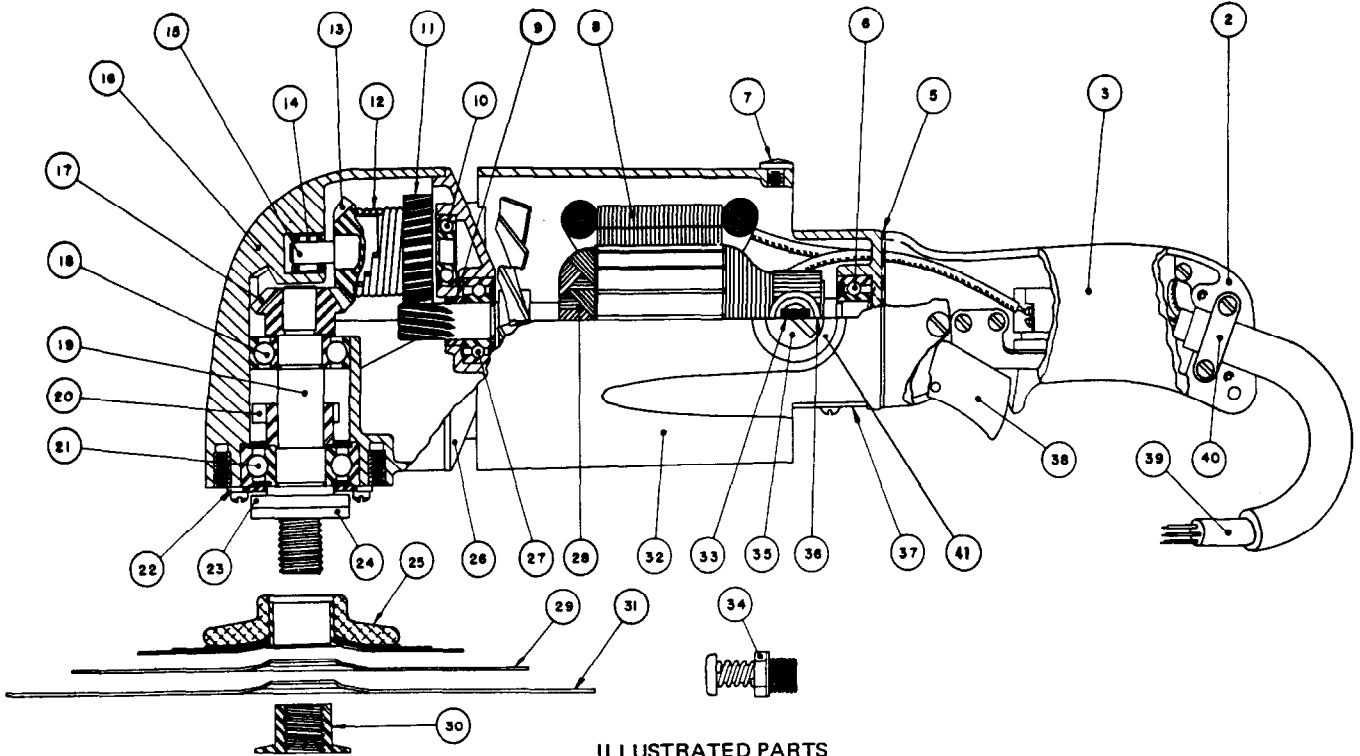
Catalog No. 6060

Starting Serial No. **48-71961**

WIRING INSTR. **58-01-0310**

Both Model and Serial No. must be furnished to obtain correct parts.

Cat. No. 6080 Tool only less backing discs and hub assembly.
Cat. No. 6100 Welders Kit See catalog for list of accessories.



ILLUSTRATED PARTS

FIG.	PART NO.	DESCRIPTION OF PART	FIG.	PART NO.	DESCRIPTION OF PART
1	28-44-1041	Handle (Switch Mounting Side)	23	45-88-0141	Hub Steel Washer
2	28-44-9081	Handle (Switch Cover Side)	24	45-88-0160	Hub Rubber Washer
3	43-86-0050	Handle Insulator	25	48-80-0750	5" Flat Disc Hub Assembly
4	02-04-1070	Ball Bearing (Commutator End)	26	28-28-0381	Diaphragm
5	06-77-1400	Drive Screw Tool Rest Button	27	02-04-1340	Ball Bearing (Pinion End)
6	18-82-1180	Field Assembly	28	16-82-1710	Armature Assembly
7	45-28-0080	Grease Slinger	29	48-80-0900	7" Flat Backing Disc
8	02-04-0910	Ball Bearing	30	44-40-0120	Disc Nut (5/8-11 Thread)
9	32-40-1481	Intermediate Gear	31	48-80-1100	9" Flat Backing Disc
10	40-50-3200	Spindle Drive Spring	32	28-50-4562	Motor Housing (includes item 41 and screws)
11	32-50-1261	Miter Gear (sold only w/32-50-1241 as set)	33	22-18-0260	Carbon Brush Assembly (2)
12	02-50-2130	Needle Bearing	34	44-20-0060	Spindle Lock Assembly
13	36-66-3301	Intermediate Shaft	35	23-44-0065	Brush Retaining Cap (2)
14	28-14-0610	Gear Case	36	22-22-0130	Brush Holder Assembly (2)
15	32-50-1241	Refer to Item 13	37	44-66-0100	Commutator Cover Plate
16	02-04-1710	Ball Bearing (Upper)	38	23-66-0250	Switch Assembly
17	38-50-1751	Spindle (5/8-11 Thread)	39	22-64-0090	Cord Set
18	42-74-0061	Spindle Lock Cog	40	28-17-0200	Cord Clamp Strap
19	02-04-2060	Ball Bearing (Lower)	41	22-24-0100	Brush Holder Bushing (Steel) (2)
20	45-88-0220	Ball Bearing Retaining Washer			

MISCELLANEOUS PARTS NOT SHOWN

PART NO.	DESCRIPTION OF PART	PART NO.	DESCRIPTION OF PART
★31-70-0100	Tool Rest	06-81-3750	8-32x1 Oval Hd. Handle Cover Screw
48-03-0010	Adaptor Plug (3 Prong)	06-81-8650	6-32x1/4 Rd. Hd. Comm. Cover Plate Screw (Sem) (2)
12-98-3500	Name Plate	06-81-3700	8-32x7/8 Oval Hd. Handle Cover Screw (2)
43-62-0141	Side Handle Assembly	06-81-6150	8-32x1/2 Fil. Hd. Cord Clamp Strap Screw (Sem) (2)
06-81-5400	8-32x5/16 Rd. Hd. Switch Mounting Screw (Binder) (2)	23-86-0075	Insulating Washer (2)
★06-81-6950	10-24x1/2 Fil. Hd. Sem Tool Rest Screw (3)	06-81-9225	10-24x2-3/4 Rd. Hd. Field Sems (2)
06-83-2650	1/4-20x3/8 Hd. less Brush Holder Set Screws (2)	06-81-8625	6-32x1/4 Rd. Hd. Ground Screw (Brass)(Sem)
06-81-7550	12-24x3/4 Fil. Hd. Switch Handle Screw (Sem) (4)	06-81-8200	4-36x3/16 Rd. Hd. Name Plate Screws (Sem) (2)
06-81-7300	10-24x1-3/4 Fil. Hd. Gear Case Screws (Sem) (4)	06-81-6050	8-32x5/16 Fil. Hd. Reg. Washer Screws (Sem) (6)
45-88-5320	Flat Washer	06-97-1800	Lock Washer (4)
06-42-1600	Woodruff Key (2)		