



SERVICE PARTS LIST

BUL. 54-38-900

7" DISC SANDER

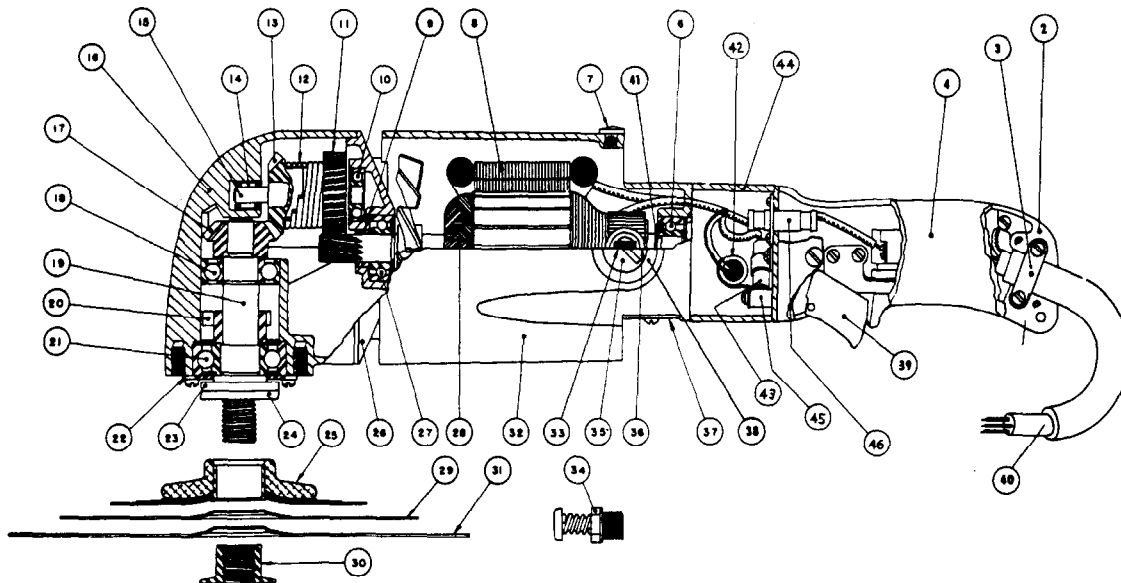
REVISED BUL. 6153-5 DATE Feb. '68

Catalog No. 6020-8

Starting Serial No. 153-2661

WIRING INSTR.

Both Model and Serial No. must be furnished to obtain correct parts.



ILLUSTRATED PARTS

FIG.	PART NO.	DESCRIPTION OF PART	FIG.	PART NO.	DESCRIPTION OF PART
2	28-44-1041	Handle (Switch Mounting Side)	25	48-80-0750	5" Flat Disc Hub Assembly
3	28-17-0200	Cord Clamp Strap	26	28-28-0381	Diaphragm
4	28-44-9081	Handle (Switch Cover Side)	27	02-04-1340	Ball Bearing (Pinion End)
6	02-04-1070	Ball Bearing (Comm. End.)	28	16-82-1720	Armature Assembly
7	06-77-1400	Drive Screw Tool Rest Button	29	48-80-0900	7" Flat Backing Disc.
8	18-82-1170	Field Assembly	30	44-40-0120	Disc Nut (5/8-11 Thread)
9	45-28-0080	Grease Slinger	32	28-50-4562	Motor Housing
10	02-04-0920	Ball Bearing	33	22-18-0080	Carbon Brush Assembly
11	32-40-1481	Intermediate Gear	34	44-20-0060	Spindle Lock Assembly
12	40-50-3200	Spindle Drive Spring	35	23-44-0065	Brush Retaining Cap
13	32-50-1241	Miter Gear (sold only with 32-50-1261 as set)	36	22-22-0055	Brush Holder Assembly (per set 2)
14	02-50-2130	Needle Bearing	37	44-66-0100	Commutator Cover Plate
15	36-66-3301	Intermediate Shaft	38	22-24-0100	Brush Holder Bushing Steel
16	28-14-0601	Gear Case	39	23-66-0250	Switch Assembly
17	32-50-1261	Refer to Item 13	40	22-64-0160	Cord Set
18	02-04-1710	Ball Bearing (Upper)	41	43-06-0700	Grounding Disc
19	38-50-1751	Spindle (5/8-11 Thread)	★42	22-33-4000	.22 MFD. Condenser
20	42-74-0061	Spindle Lock Cog	★43	22-33-3460	R.H. Condenser (.1 MFD.)
21	02-04-2060	Ball Bearing		22-33-3450	L.H. Condenser (.1 MFD.)
22	45-88-0220	Ball Bearing Retaining Ring	★44	28-50-8123	Radio Suppression Box
23	45-88-0141	Hub Steel Washer	★45	45-36-0190	Spacer
24	45-88-0160	Hub Rubber Washer	★46	22-33-6450	.01 MFD. Condenser (2)

MISCELLANEOUS PARTS NOT SHOWN

PART NO.	DESCRIPTION OF PART	PART NO.	DESCRIPTION OF PART
28-79-0241	Tool Rest	06-81-8650	6-32x1/4 Rd.Hd. Com. Cover Plate Scs. (2)
12-65-3600	Name Plate (Dwg. No. 3)	06-81-3700	8-32x7/8 Oval Hd. Handle Cover Screws (2)
43-62-0141	Side Handle Assembly	06-81-6100	8-32x7/16 Fil.Hd. Cord Clamp Strap Scs. (2)
06-81-6950	10-24x1/2 Fil.Hd. Tool Rest Sem (2)	06-81-5400	8-32x5/16 Binder Hd. Switch Mtg. Scs. (2)
06-83-2650	1/4-20x3/8 Hd'less Brush Holder Set Scs. (4)	06-81-8950	8-32x2-1/4 Rd.Hd. Field Sem (2)
06-81-7250	10-24x1-1/2 Fil.Hd. Gear Case Sem (4)	06-81-8625	6-32x1/4 Rd.Hd. Ground Wire Sc. (Brass) (
06-81-1625	12-24x2-1/4 Fil.Hd. Switch Handle Scs. (4)	06-81-8200	4-36x3/16 Rd.Hd. Name Plate Screw (2)
06-81-3750	8-32x1 Oval Hd. Handle Cover Screw	06-81-6050	8-32x5/16 Fil.Hd. Ret. Washer Screw (6)
12-98-5100	Warning Plate	23-86-0075	Insulating Washer
06-77-0450	No. 4x1/4 Drive Pin (2)	48-03-0010	Plug Adapter