



SERVICE PARTS LIST

BULLETIN NO.
54-38-0410

SPECIFY CATALOG NO. AND SERIAL NO. WHEN ORDERING PARTS		REVISED BULLETIN	DATE
1/4 SHEET PALM SANDER			Jan. 2014
CATALOG NO.	6020-21	STARTING SERIAL	B18A
		WIRING INSTRUCTION See Reverse Side	

EXAMPLE:
Component Parts (Small #)
Are Included When Ordering
The Assembly (Large #).

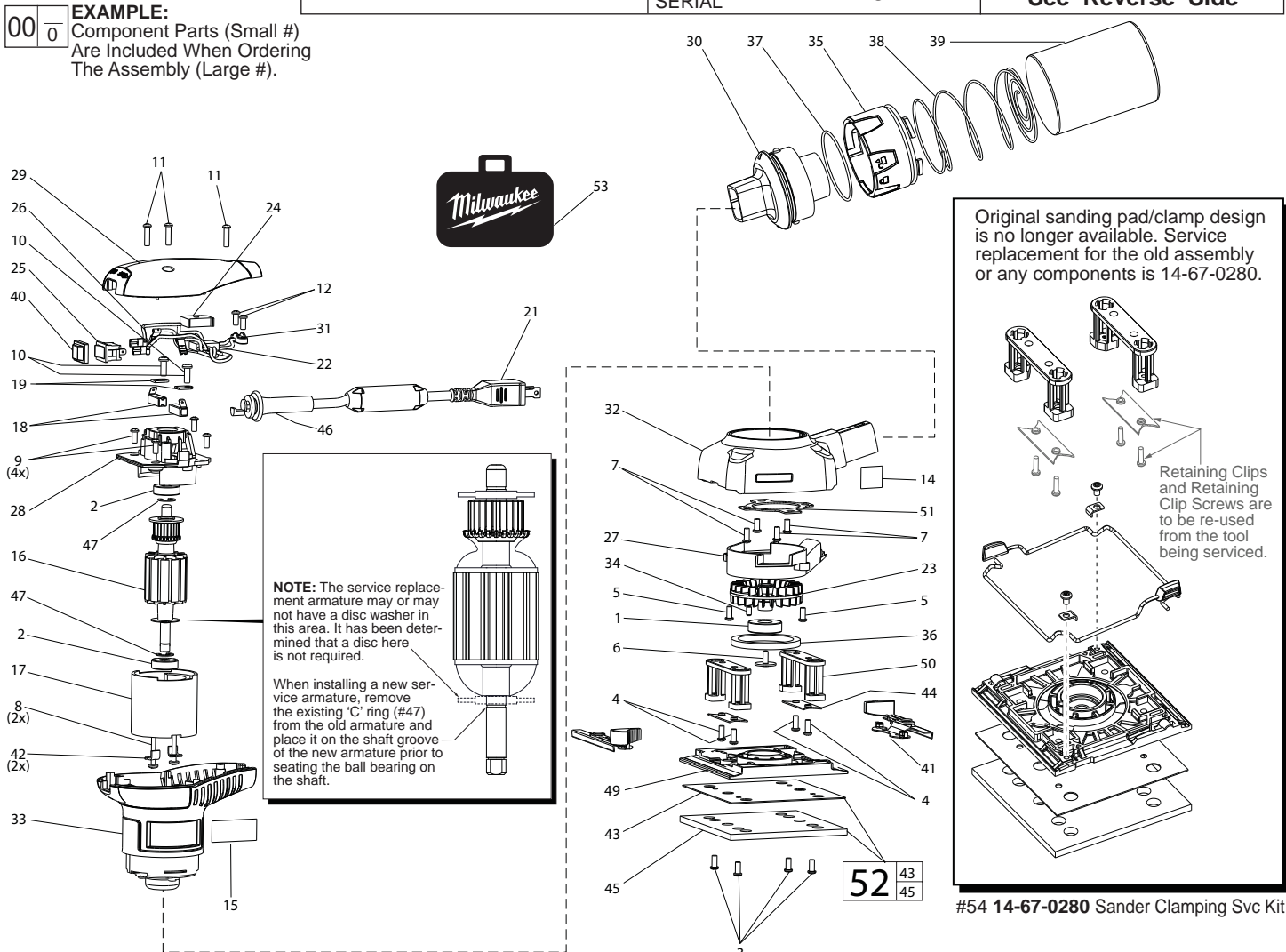


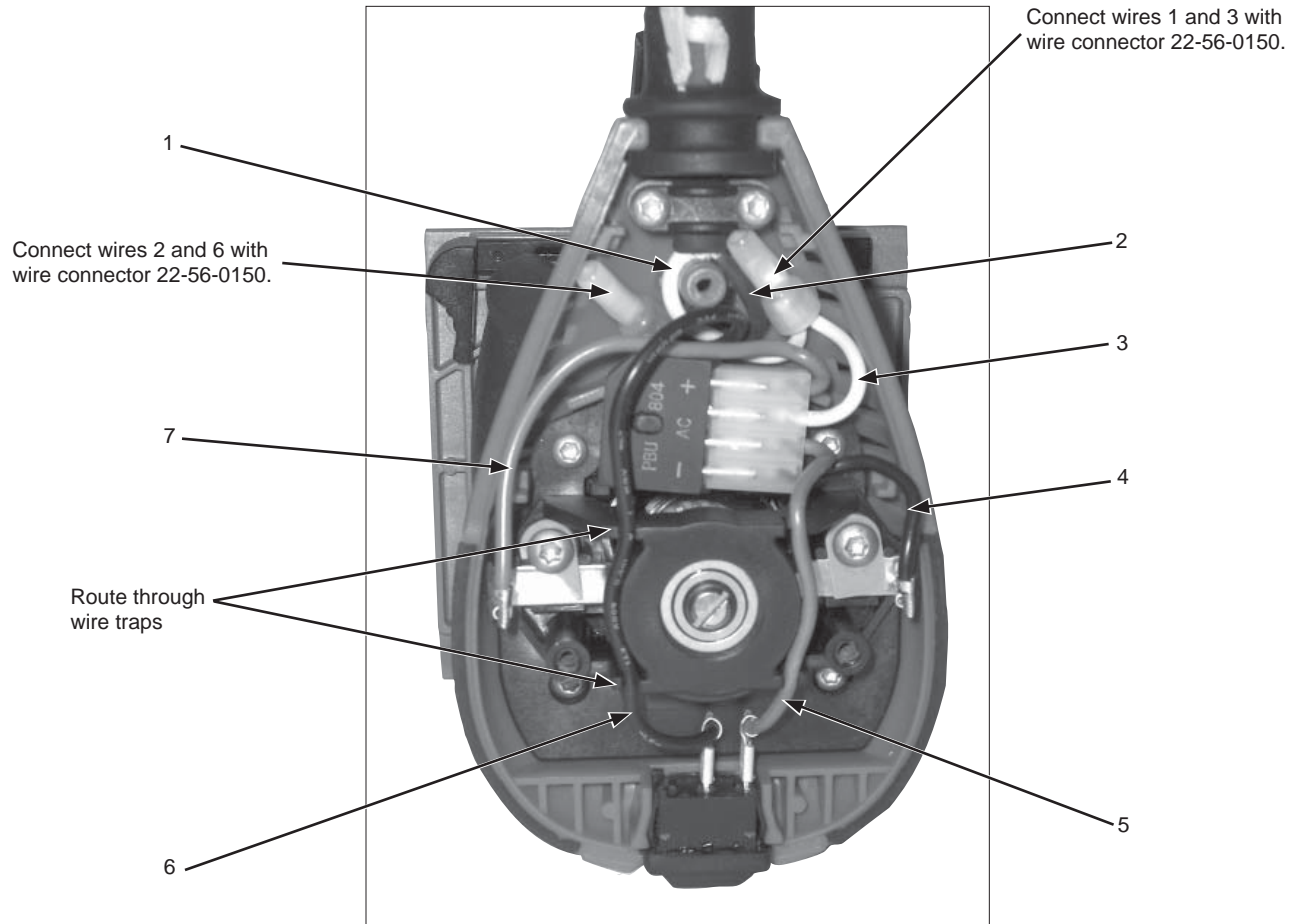
FIG.	PART NO.	DESCRIPTION OF PART	NO. REQ.	FIG.	PART NO.	DESCRIPTION OF PART	NO. REQ.
1	02-04-5155	Bearing	1	31	31-17-0530	Cord Clamp	1
2	02-04-5165	Bearing	2	32	31-50-2110	Housing	1
3	05-74-0305	Screw, Torx, T20	4	33	31-50-2115	Housing Motor	1
4	05-81-0195	Screw	4	34	31-53-0240	Plug	1
5	06-81-0115	Screw, Torx, T15	2	35	31-58-0690	Dust Bag Locking Ring	1
6	06-81-0120	Screw, w/Washer, Torx, T25, 10-32 UNF-2A x 1/2"	1	36	31-76-0155	Dust Shield	1
7	06-81-0125	Screw, w/Spring Washer, T15	4	37	34-40-1870	Dust Chute O-Ring	1
8	06-81-0130	Screw, Torx, T20	2	38	40-50-1110	Compression Spring	1
9	06-81-0135	Screw, Torx, T20	4	39	42-16-0570	Dust Bag	1
10	06-81-0140	Screw, Torx, T20	2	40	42-38-0405	Switch Boot	1
11	06-81-0145	Screw, Torx, T15	3	41	-----	Paper Clamp (Order #54, 14-67-0280)	2
12	06-81-0150	Screw, Torx, T15	2	42	42-70-1005	Field Retaining Clip	2
14	10-98-6045	Warning Label, Multi-Lingual	1	43	-----	Aluminum Plate	1
15	12-20-6045	Service Nameplate	1	44	44-52-0960	Retaining Clip	2
16	16-10-0631	Armature	1	45	-----	Sanding Pad	1
17	18-10-0141	Field	1	46	44-76-0315	Strain Relief	1
18	22-18-1170	Carbon Brush Assembly w/Shunt Wire	2	47	44-86-1380	Retaining Ring	2
19	22-38-0180	Brush Clamp	2	49	-----	Pad (Order #54, 14-67-0280)	1
20	22-56-0150	Wire Connector (see wiring)	2	50	-----	Cushion Post (Order #54, 14-67-0280)	2
21	22-64-1210	Cord	1	51	45-88-1480	Motor Housing Shim	1
22	22-80-0105	Moles Assembly	1	52	-----	Sanding Pad Service Kit (Order #54, 14-67-0280)	1
23	22-84-0835	Fan	1	53	42-55-6020	Carrying Case	1
24	23-38-2855	Rectifier	1	54	14-67-0280	Sander Clamping Service Kit	1
25	23-66-1661	Switch	1		44-66-5905	Plastic Paper Punch (Not Shown)	1
26	23-94-2660	Switch Wire Harness	1				
27	31-05-0420	Fan Baffle	1				
28	31-12-0390	Bearing Housing	1				
29	31-12-0395	Top Cap	1				
30	31-15-1525	Dust Chute	1				

WIRING INSTRUCTIONS

NOTE:

As an aid to reassembly, take note of the wire routings and position of the wires in the wire guides and wire guides traps prior to dismantling the tool.

Watch for pinched wires when placing the handle cover back over the housing assembly.



NOTE:
All leads must be held to $\pm 1/16"$.
All lead lengths are before stripping.

WIRING SPECIFICATIONS			
Wire No.	Wire Color	Origin or Gauge	Terminals, Connectors and 1 or 2 End Wire Preparation
1	White	22-64-1210	Power Cord
2	Black	22-64-1210	Power Cord
3	White	22-80-0105	Moles Assembly
4	Black	22-80-0105	Moles Assembly
5	Brown	22-80-0105	Moles Assembly
6	Black	23-94-2660	Switch Wire Harness
7	Red	22-80-0105	Moles Assembly

BULK LEAD WIRE - BULLETIN 58-01-0003

TERMINAL DESCRIPTION		
Code	Part No.	Qty.