



SERVICE PARTS LIST

BULLETIN NO.
54-38-0600

SPECIFY CATALOG NO. AND SERIAL NO. WHEN ORDERING PARTS		REVISED BULLETIN	DATE
SMALL PAD ORBITAL SANDER			July '98
CATALOG NO. 6008	STARTING SERIAL NUMBER 790A	WIRING INSTRUCTION 58-01-1270	

EXAMPLE:
Component Parts (Small #)
Are Included When Ordering
The Assembly (Large #).



FIG.	PART NO.	DESCRIPTION OF PART	QTY
	1	8-16 x 5/8" Lg. Plastite Screw T-20	(5)
	2	Housing Cover	(1)
	3	Slide Switch	(1)
	4	Cord Set	(1)
	5	Cord Protector	(1)
	8	Motor Housing	(1)
	9	Brush Tube	(2)
	10	Carbon Brush	(2)
	11	Brush Spring	(2)
	12	Brush Retaining Screw	(2)
	13	Service Nameplate Kit	(1)
	14	Ball Bearing	(1)
	15	Ball Bearing Retaining Slug	(1)
	16	120 Volt Field	(1)
	17	8-16 Pan Hd. Plastite T-20	(2)
	18	Baffle	(1)
	19	120 Volt Armature	(1)
	20	Fan	(1)
	21	Beveled Retaining Ring	(1)
	22	Ball Bearing	(1)
	23	10 x 1/2" Lg. AB Thread Screw T-25	(8)
	24	Diaphragm	(1)
	25	Pillar	(4)
	26	8-16 x 1-5/8" Pan Hd. Plastite T-20	(4)
	27	Small Eccentric	(1)
	28	Beveled Retaining Ring	(1)
	29	Ball Bearing	(1)
	30	Small Platen Assembly	(1)
	31	Small Pad Assembly	(1)
	32	Special Washer	(1)
	33	10-32 x 3/4" Flat Hd. T-25	(1)

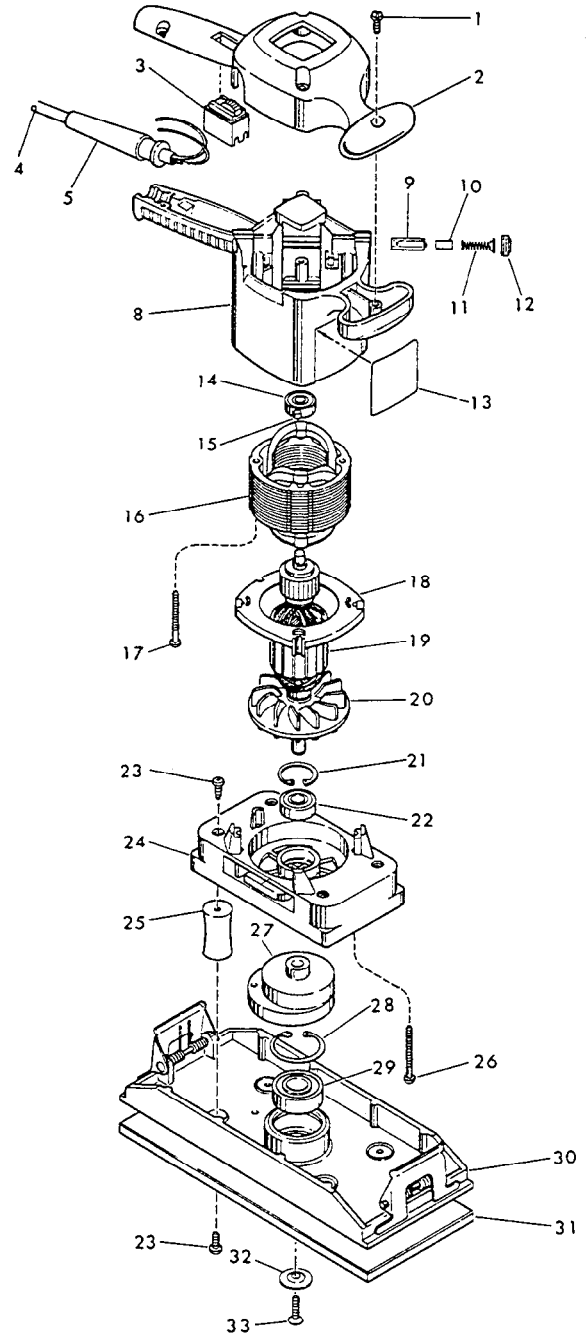


FIG. 21, 28
NOTE: Install flat side to bearing.