



SERVICE PARTS LIST

BULLETIN NO.
54-38-0313

SPECIFY CATALOG NO. AND SERIAL NO. WHEN ORDERING PARTS		REVISED BULLETIN 54-38-0312	DATE June '92
3" BELT SANDER with VACUUM BAG			
CATALOG NO.	5925	STARTING SERIAL NO.	658-12002
		WIRING INSTRUCTION 58-01-0745	

EXAMPLE:



Component Parts (Small #)
Are Included When Ordering
The Assembly (Large #).

FIG.	PART NO.	DESCRIPTION OF PART	NO. REQ.
1	06-82-7354	8-16 x 1-3/8" Slit. Pan Hd. Plast. T-20	(1)
2	12-99-0720	Service Nameplate	(1)
3	31-15-0202	Timing Pulley Cover	(1)
4	34-60-0530	Retaining Ring	(1)
5	42-25-2511	Timing Belt	(1)
6	06-95-0209	8-32 x 3/8" Lg. Taptite Screw	(1)
7	45-88-5170	Steel Washer	(1)
8	02-04-0849	Ball Bearing	(1)
★ 9	28-95-0132	Timing Pulley	(1)
10	02-04-0849	Ball Bearing	(1)
11	34-60-0530	Retaining Ring	(1)
★ 13	36-66-4321	Counter Shaft	(1)
14	06-42-2300	Woodruff Key	(1)
15	02-50-2435	Needle Bearing	(1)
16	06-95-0212	8-32 x 1/2" Pan Hd. Swage Screw	(3)
17	28-20-1230	Gearcase Cover	(1)
18	34-60-0950	Retaining Ring	(1)
19	32-60-2130	Gear	(1)
20	36-90-0100	Rear Drum Shaft	(1)
21	06-42-0800	Woodruff Key	(1)
22	43-44-0585	Gearcase Gasket	(1)
23	28-14-1500	Gearcase	(1)
24	06-82-5574	10-24 x 7/8" Slit. Pan Hd. Taptite T-25	(3)
25	06-81-5825	6-32 x 1/2" Fil. Hd. Sems	(1)
26	43-98-0231	Belt Aligning Hand Knob	(1)
27	40-50-7790	Belleville Washer	(1)
28	06-82-5474	10-24 x 1-3/4" Slit. Pan Hd. Taptite T-25	(1)
29	06-75-0018	8-32 x 3/8" Hex Washer Hd. Sem.	(2)
30	22-84-0740	Blower Fan	(1)
31	28-37-0033	Drive Pulley	(1)
32	06-82-7252	8-32 x 3/8" Slit. Pan Hd. Taptite T-20	(2)
33	23-44-0170	Brush Retaining Screw	(2)
34	22-18-0580	Carbon Brush Assembly	(2)
35	23-86-0790	Insulation Washer	(1)
36	31-50-0374	Rear Motor Housing Assembly	(1)
37	45-30-0060	Bearing Retaining Slug	(1)
38	22-20-0271	Brush Tube	(2)
39	44-66-3941	Steel Wear Plate	(2)
40	31-17-0156	Cord Clamp	(1)
41	06-82-7270	8-16 x 5/8" Pan Hd. Slit. Plast. T-20	(2)
42	44-76-0135	Cord Protector	(1)
43	22-64-0830	Cord Set	(1)
44	02-04-1000	Ball Bearing	(1)
45	18-70-0055	120 Volt Field	(1)
46	06-82-7382	8-16 x 1-5/8" Pan Hd. Slit. Plast. T-20	(2)
47	16-70-0211	120 Volt Armature	(1)
48	22-84-0750	Exhaust Fan	(1)
49	06-77-0625	6 x 1/4" Drive Pan Screw	(3)
50	42-14-0260	Exhaust Fan Baffle	(1)
51	23-66-0166	Switch	(1)
52	06-82-7409	8-16 x 1/2" Pan Hd. Slit. Plast. T-20	(1)
53	02-04-0844	Ball Bearing	(1)
54	31-50-0372	Front Motor Housing Assembly	(1)
55	06-65-0855	1/8 x 7/8" Groove Pin	(1)
56	06-82-7410	8-16 x 1-7/8" Slit. Pan Hd. Plast. T-20	(1)
57	06-82-7410	8-16 x 1-7/8" Slit. Pan Hd. Plast. T-20	(1)
58	06-82-7326	8-16 x 1" Slit. Pan Hd. Plast. T-20	(4)
59	44-68-0511	Dust Chute Plug	(1)
60	43-44-0591	Blower Housing Gasket	(1)

FIG.	PART NO.	DESCRIPTION OF PART	NO. REQ.
61	06-82-7410	8-16 x 1-7/8" Slit. Pan Hd. Plast. T-20	(2)
62	31-50-0332	Blower Housing	(1)
63	06-82-7522	8-16 x 2-13/16" Slit. Pan Hd. Plast. T-20	(3)
64	42-14-0240	Blower Baffle	(1)
65	06-82-7530	8-16 x 3-1/4" Slit. Pan Hd. Plast. T-20	(1)
66	02-04-1201	Ball Bearing	(1)
67	34-80-2021	Retaining Ring	(1)
68	06-95-3250	8-32 x 5/8" Flat Hd. Phillips Dr. Screw	(3)
69	28-95-0185	Rear Drum	(1)
70	06-75-0293	1/4 -28 x 1/2" Hex Hd. Sems	(1)
71	45-88-7157	Washer	(1)
72	40-50-7790	Belleville Washer	(1)
73	45-04-0580	Belt Aligning Screw	(1)
74	44-40-0560	Belt Aligning Nut	(1)
75	06-65-1215	1/4 x 1/2" Groove Pin	(1)
76	06-81-3170	5/16 x 18 x 1/2" Washer Hd. Screw	(1)
77	28-23-3255	Front Drum Carrier Assembly	(1)
78	45-36-1150	Front Drum Spacer	(1)
79	36-90-0090	Front Drum Shaft	(1)
80	28-95-0170	Front Drum Assembly	(1)
81	06-75-0293	1/4 - 28 x 1/2 Hex Hd. Sems	(1)
82	06-95-0115	6-32 x 3/8" Taptite Screw	(4)
83	44-66-5460	Filler Plate	(1)
84	40-50-7810	Belt Tension Spring	(1)
85	42-92-0490	Base Cover	(1)
86	06-81-4975	8-32 x 3/8" Truss Hd. Screw	(1)
87	45-04-0590	Release Lever Screw	(1)
88	40-50-7790	Belleville Washer	(1)
89	06-72-1210	Semi-Tube Rivet	(1)
90	30-58-0030	Belt Release Lever	(1)
91	45-36-1140	Release Lever Spacer	(1)
92	44-14-0130	Release Lever Link	(1)
93	06-75-0018	8-32 x 3/8" Washer Hd. Sems	(1)
94	45-04-0600	Pivot Screw	(1)
95	40-50-7800	Link Spring	(1)
96	06-65-0805	1/8 x 3/8" Groove Pin	(1)
97	28-06-0981	Base	(1)
98	06-82-5268	4-40 x 3/8" Slit. Pan Hd. Taptite T-9	(3)
99	44-66-5515	3" Platen	(1)
100	06-95-3400	10-24 x 1/2" Flat Hd. Taptite Screw	(2)
101	44-52-0130	Base Plate Pad	(1)
102	44-66-3950	3" Pad Liner	(1)
103	-----	3" Belt (Select from Catalog)	
104	42-70-5045	Static Clip	(1)
105	42-16-0535	Vacuum Bag Assembly	(1)
106	42-24-0230	Front Drum Bearing	(2)
107	45-60-0480	Bag Support Wire	(1)
108	23-78-0110	Wire Tie	(1)
109	45-76-0240	Tube	(1)
110	06-77-0450	4 x 1/4" Rd. Driv-In Screw	(2)
111	42-14-0250	Dust Channel Baffle	(1)
112	34-60-1312	Retaining Ring	(1)
113	42-16-0530	Dust Bag	(1)

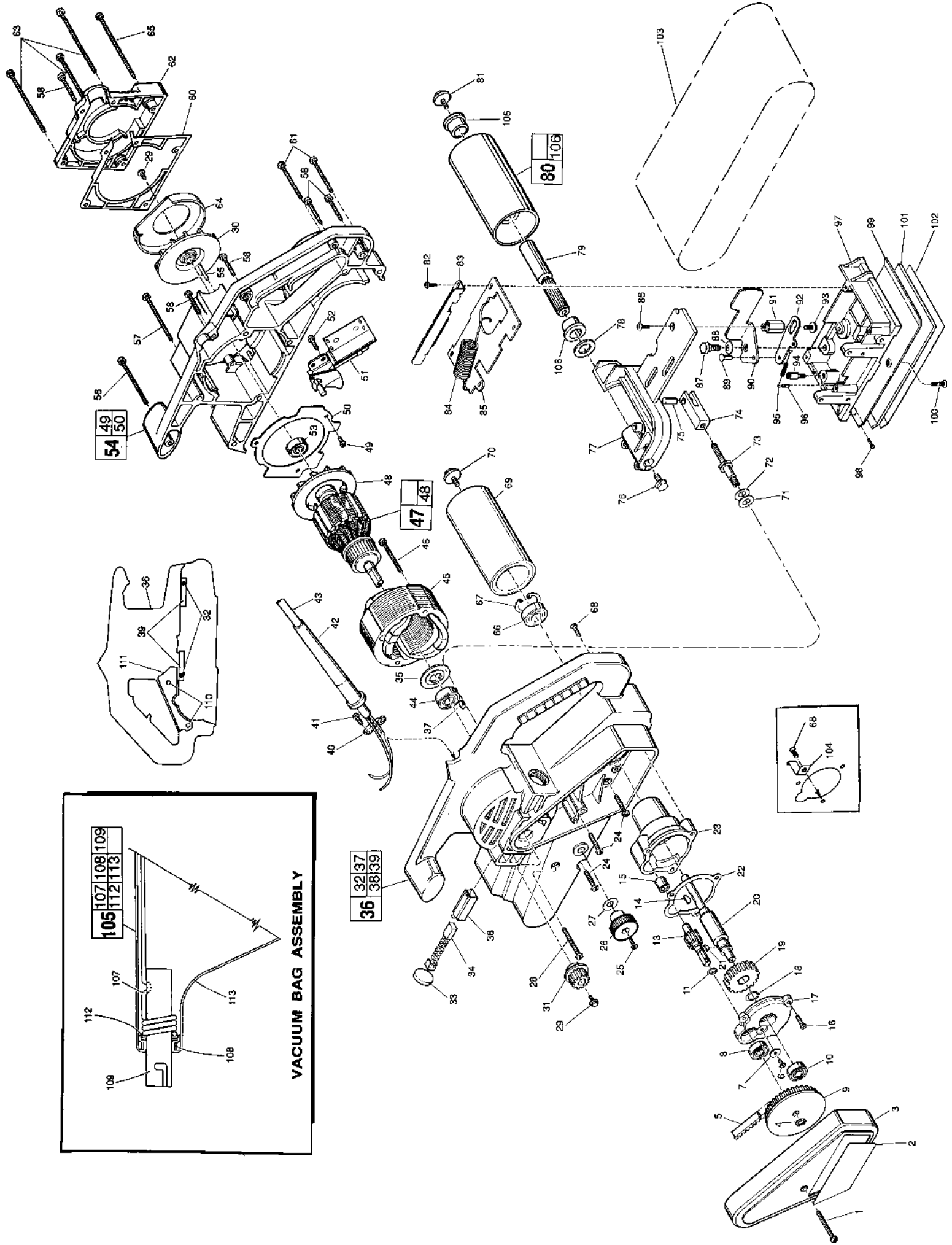
FIG. LUBRICATION

23 Place 3/4 oz. Type "J" Grease, No. 49-08-4220 into counter shaft cavity after counter shaft is pressed in.

FIG. NOTE

32 Apply Loctite Type CV Blue, No. 44-22 0090, to threads prior to assembly.

85 Coat both sides with dry lubricant spray, No. 44-22-0190.



54 49
50

47 48

80 106

36 32 37
38 39

