



Record purchase information:

Model No.:	Stock No.:
Serial No.:	
Purchased from:	
Date purchased:	

# Operating Instructions and Parts Manual Benchtop Belt and Disc Sanders

Models IBDG-248/248VS/436/436VS

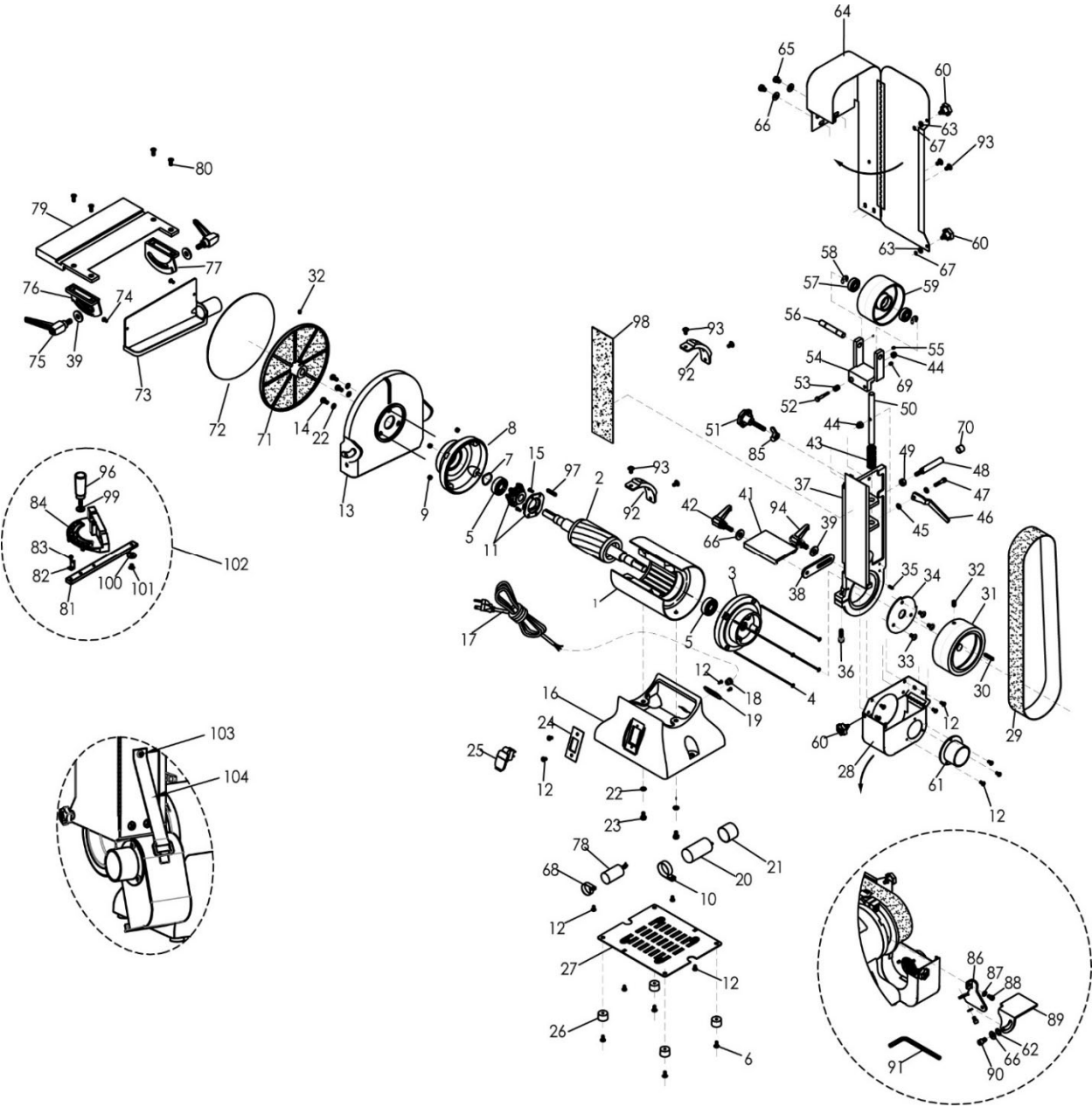


IBDG-248 shown

**JET**  
427 New Sanford Road  
LaVergne, Tennessee 37086  
Ph.: 800-274-6848  
www.jettools.com

**Part No. M-578842**  
Edition 1 01/2020  
Copyright © 2020 JET

13.1.1 IBDG-248 Belt/Disc Sander – Exploded View



### 13.1.2 IBDG-248 Belt/Disc Sander – Parts List

Index No	Part No	Description	Size	Qty
1	IBGB248-01	Motor Housing w/ Stator		1
2	IBDG248-02	Rotor		1
3	IBGB248-03	End Cover		1
4	IBGB248-04	Cross Head Screw	M5 x 210 x 30S	4
5	BB-6204ZZ	Ball Bearing	6204ZZ	2
6	IBG8-36	Truss Head Screw	3/16"-24 x 1/2"	4
7	IBGB248-07	Wave Washer		1
8	IBDG248-08	End Bell		1
9	TS-1540031	Hex Nut	M5	4
10	IBG8-05	Capacitor Bracket		1
11	IBG8-41	Centrifugal Switch Assembly		1
12	IBG8-04	Truss Head Screw	3/16"-24 x 3/8"	16
13	IBDG248-13	Disc Guard		1
14	TS-0050021	Hex Cap Screw	1/4"-20 x 5/8"	3
15	IBG8-04	Truss Head Screw	3/16"-24 x 3/8"	2
16	IBG8-10	Base		1
17	IBG8-46	Power Cord		1
18	IBG8-47	Strain Relief		1
19	IBG8-11	Cord Plate		1
20	IBG8-06	Start Capacitor	200MFD, 125VAC	1
21	IBG8-07	Capacitor Cover		1
22	TS-0720071	Lock Washer	1/4"	5
23	TS-0050011	Hex Cap Screw	1/4"-20 x 1/2"	2
24	IBG8-12	Switch Plate		1
25	IBG8-13	Switch with Safety Key		1
	IBG8-13-1	Safety Key (not shown)		1
26	IBG8-02	Rubber Pad		4
27	IBG8-03	Base Plate		1
28	IBGB248-28	Drive Wheel Cover		1
29	IBGB248-29	Sanding Belt	W 2" x L 48", 80 Grit	1
30	IBGB248-30	Key, Dbl Rd Hd	3/16" x 3/16" x 1-1/4"	1
31	IBGB248-31	Drive Wheel	Dia. 5" x W 2"	1
32	TS-0267041	Set Screw	1/4"-20 x 3/8"	1
33	IBGB248-33	Truss Head Screw	1/4"-20 x 3/8"	3
34	IBGB248-34	Positioning Plate		1
35	IBGB248-35	Spring Pin	Dia. 5 x 14	1
36	TS-0208061	Socket Hd Cap Screw	5/16"-18 x 1"	1
37	IBGB248-37	Sanding Belt Bracket		1
38	IBGB248-38	Bracket Plate *		1
39	TS-0680042	Flat Washer *	3/8"	5
41	IBGB248-41	Sanding Table		1
42	IBGB248-42	Adjustable Handle *	5/16"-18 x 1"	1
43	IBGB248-43	Spring		1
44	TS-0640071	Nylon Lock Hex Nut	1/4"-20	2
45	TS-0680021	Flat Washer	1/4"	2
46	IBGB248-46	Tension Handle		1
47	TS-0207071	Socket Hd Cap Screw	1/4"-20 x 1-1/4"	1
48	IBGB248-48	Stand-Off	Dia. 13 x L 67	1
49	TS-0561021	Hex Nut	5/16"-18	1
50	IBGB248-50	Support Post		1
51	IBGB248-51	Tracking Adjustment Knob	M8 x 35	1
52	F000114	Round Head Screw	1/4"-20 x 1-1/4"	1
53	IBGB248-53	Spring		1
54	IBGB248-54	Wheel Carrier		1
55	IBGB248-55	Set Screw	3/16"-24UNF x 1/4"	2
56	IBGB248-56	Shaft		1
57	BB-6201VV	Ball Bearing	6201BR	2
58	6284728	E-Ring	12mm	2
59	IBGB248-59	Driven Wheel	Dia. 4-1/4" x W 2"	1
60	IBGB248-60	Knob	1/4"	4

Index No	Part No	Description	Size	Qty
61	IBGB248-61	Dust Port	Dia. 2"	1
62	F002176	External Tooth Lock Washer *	M8	1
63	TS-1550041	Flat Washer	M6	2
64	IBGB248-64	Belt Cover		1
65	6293385	Hex Cap Screw	5/16"-18 x 3/8"	2
66	TS-0680031	Flat Washer *	5/16"	4
67	IBGB248-67	S-Ring	6mm	2
68	IBG8-48	Capacitor Bracket		1
69	TS-0267021	Set Screw	1/4"-20 x 1/4"	1
70	IBGB248-70	Rubber Sleeve		1
71	IBDG248-71	Disc	Dia. 9"	1
72	IBDG248-72	Sanding Disc	80 Grit	1
73	IBDG248-73	Disc Lower Guard		1
74	TS-1533032	Pan Head Screw	M5 x 10	2
75	IBDG248-75	Adjustable Handle	M10 x 20	2
76	IBDG248-76	Table Bracket - Right		1
77	IBDG248-77	Table Bracket - Left		1
78	IBG8-49	Running Capacitor	35µF, 250V	1
79	IBDG248-79	Disc Table		1
80	F001234	Flat Hd Phillips Machine Screw BO	M6 x 10	4
81	IBDG248-81	Steel Bar		1
82	IBDG248-82	Pointer		1
83	5711571	Pan Head Machine Screw	3/16" x 1/4"	1
84	IBDG248-84	Miter Body		1
85	TS-154306	Wing Nut	M8	1
86	IBGB248-86	Bracket Plate		1
87	TS-0720071	Lock Washer	1/4"	2
88	TS-0207021	Socket Hd Cap Screw	1/4"-20 x 1/2"	2
89	IBGB248-89	Tool Rest *		1
90	TS-0208021	Socket Hd Cap Screw *	5/16"-18 x 1/2"	1
91	IBGB248-91	Allen Wrench	6 x L140mm	1
92	IBG8-50	Lamp Fixed Bracket		1
93	IBGB248-33	Truss Head Screw	1/4"-20 x 3/8"	2
94	IBGB248-94	Adjustable Handle *	3/8"-16 x 3/4"	1
96	IBDG248-96	Grip	M8 x 25	1
97	IBDG248-97	Key, Dbl Rd Hd	3/16" x 3/16" x 1"	1
98	IBGB248-98	Graphite Sheet		1
99	TS-1550061	Flat Washer	M8	1
100	IBDG248-100	Guide Ring		1
101	JVM836-31B	Flat HD Phillips Machine Screw	M6 x 6	1
102	IBDG248-102	Miter Gauge Assembly		1
103	IBGB248-33	Truss Head Screw	1/4"-20 x 3/8"	1
104	IBDG248-104	Nylon Strap		1
105	IBDG248-105	Allen Wrench (not shown)	3 x L140mm	1
	JET-92-73R	JET Logo (not shown)	92 x 38 mm	1
	LM000400	ID/Warning Label, IBDG-248 (not shown)		1
	IBGB248-HP	Hardware Package *		1

Hardware package includes items marked with asterisk (\*).