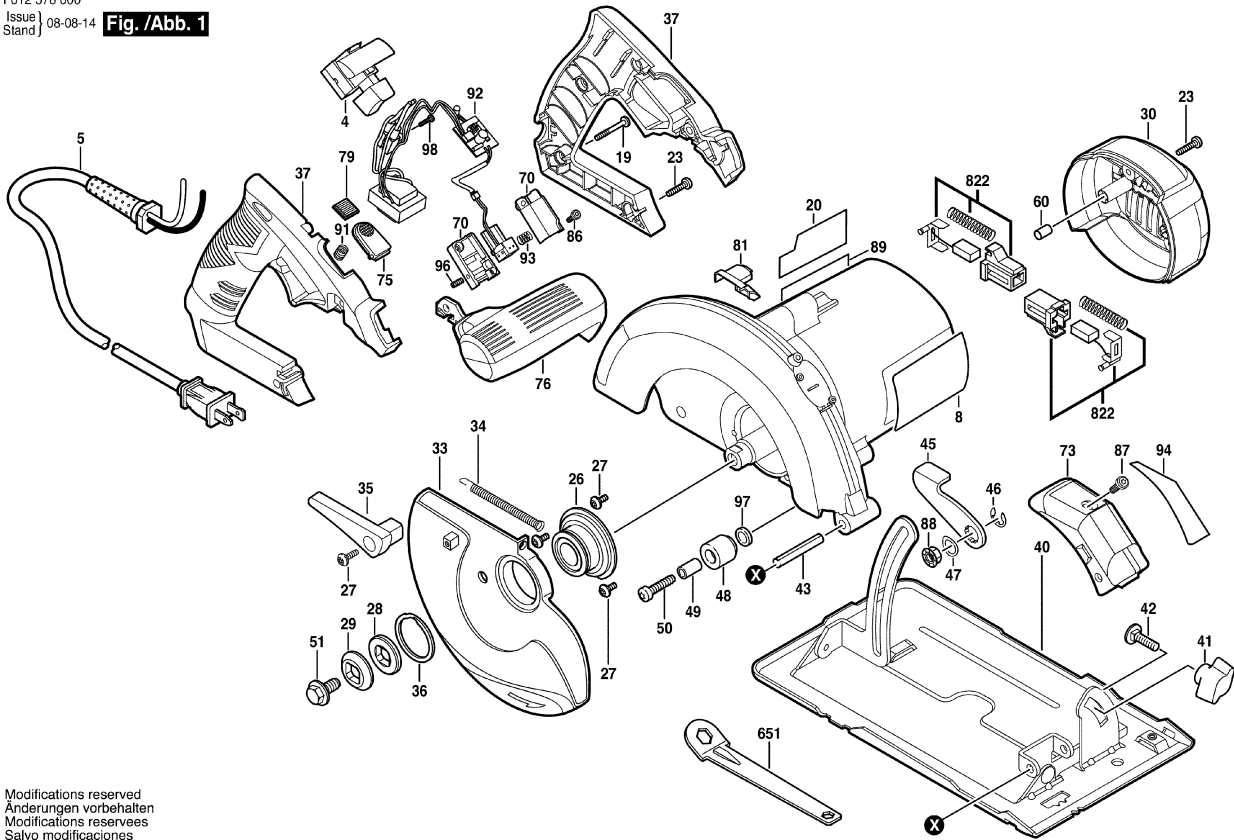


F012 578 000
Issue | 08-08-14
Stand | **Fig. /Abb. 1**



Modifications reserved
Änderungen vorbehalten
Modifications reserves
Salvo modificaciones

Date: 9/27/2010

Page: 1 / 1

Item	Pc	Order No.	Description	Item	Pc	Order No.	Description
4	1	1 619 X01 831	On-Off Switch	50	1	1 619 X00 683	Screw
5	1	1 619 X04 541	Power supply cord	51	1	1 619 X00 935	Hex Screw
8	1	1 619 X05 343	Nameplate	60	2	1 619 X01 409	Holding Pin
19	2	1 619 X01 012	Screw	70	1	1 619 X02 076	Insulating Housing
20	1	1 619 X04 919	Warning Plate	73	1	1 619 X00 767	Cover
23	7	1 619 X01 011	Screw	75	1	1 619 X01 836	Cap
26	1	1 619 X00 657	Bearing Plate	76	1	1 619 X02 075	Auxiliary Handle
27	4	1 619 X01 786	Contact Screw	79	1	1 619 X01 835	Lens
28	1	1 619 X00 659	Washer	81	1	1 619 X02 081	Guide Piece
29	1	1 619 X00 660	Washer	86	1	1 619 X02 271	Cyl Head tapping screw
30	1	1 619 X00 742	Housing Cover	87	1	1 619 X02 011	Cyl Head tapping screw
33	1	1 619 X03 951	Pivoting Blade Guard	88	1	1 619 X02 044	Nut
34	1	1 619 X04 824	Extension Spring	89	1	1 619 X03 272	Warning Plate
35	1	1 619 X04 655	Lever	91	1	1 619 X02 273	Compression Spring
36	1	1 619 X00 667	Retaining snap ring	92	1	1 619 X02 029	Laser module
37	1	1 619 X02 073	Set Of Handles	93	1	2 610 918 224	Compression Spring
40	1	1 619 X02 074	Base Plate	94	1	1 619 X02 014	Warning Plate
41	1	2 610 917 567	Knob	96	1	1 619 X02 030	Screw
42	1	1 619 X00 674	Bolt	97	1	1 619 X03 440	Washer
43	1	1 619 X00 676	Roller Pin	98	1	1 619 X03 422	Cyl Head tapping screw
45	1	1 619 X02 045	Depth-Gauge	651	1	1 619 X02 046	Box Wrench
46	1	2 610 923 854	Clip	822	1	1 619 X02 851	Carbon-Brush Set
47	1	1 619 X01 014	Spring Washer				
48	1	1 619 X00 681	Stopper				
49	1	1 619 X00 682	Spacer				