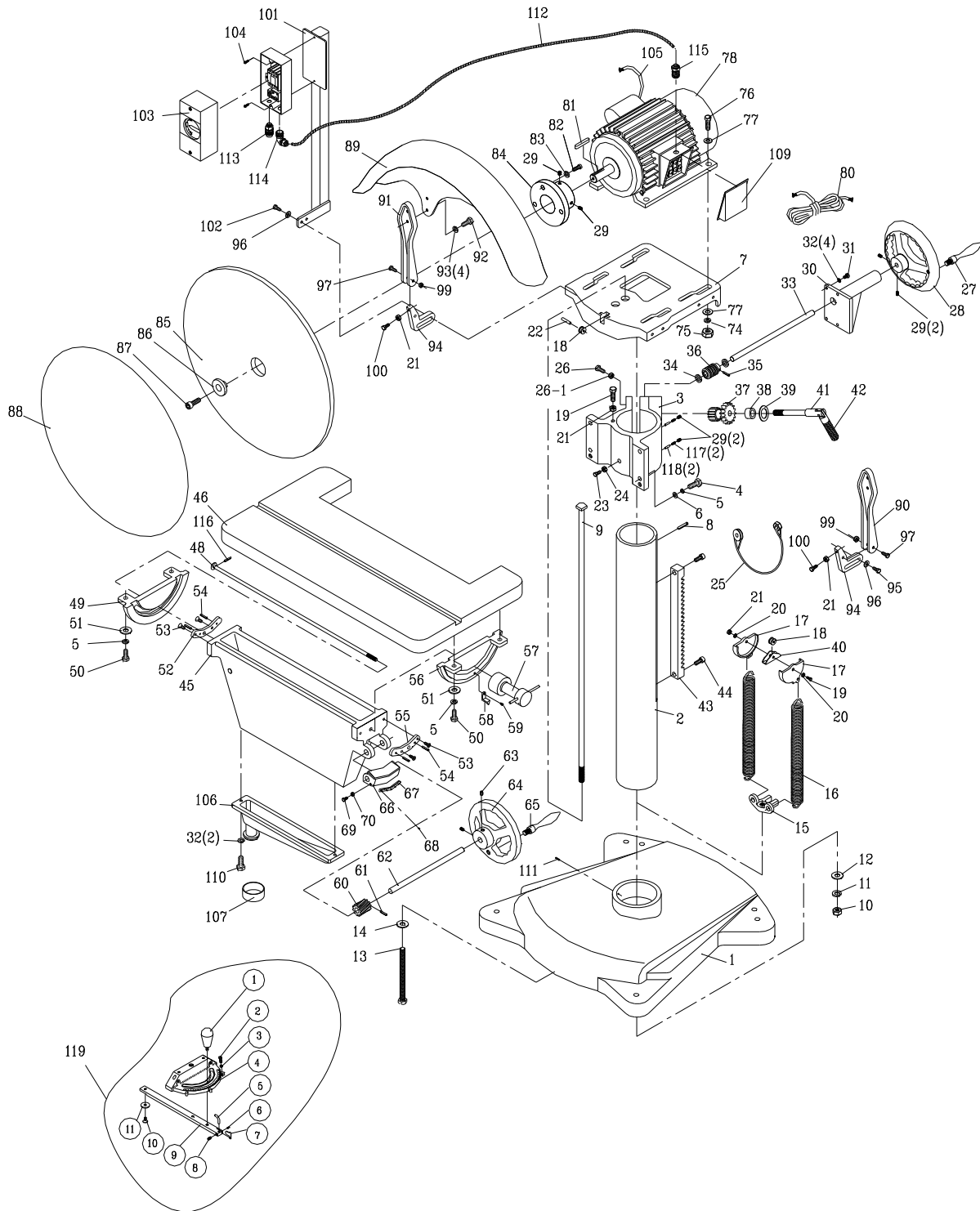


Exploded View - Upper Saw Head



Parts List - Upper Saw Head

| ITEM NO. | PART NO. | DESCRIPTION | QTY | ITEM NO. | PART NO. | DESCRIPTION | QTY |
|----------|-----------|---|-----|----------|-----------|---|-----|
| 1 | J-5644311 | Base | 1 | 38 | 5644721 | Special Washer | 1 |
| 2 | 5644321 | Column | 1 | 39 | 5644731 | Flat Washer | 1 |
| 3 | J-5644331 | Support Bracket | 1 | 40 | 5644741 | Sheave Stand | 1 |
| 4 | 5644341 | Hex Cap Bolt (3/8"-16 x 1-3/4") | 4 | 41 | 5644751 | Lock Handle | 1 |
| 5 | 5644351 | Lock Washer (3/8") | 8 | 42 | 5644761 | Knob | 1 |
| 6 | 5644361 | Flat Washer (3/8") | 4 | 43 | 5644771 | Rack | 1 |
| 7 | J-5644371 | Support | 1 | 44 | 5644781 | Socket Hex Cap Screw (5/16"-18 x 1/2") | 2 |
| 8 | 5644381 | Spring Pin (Ø5 x 20) | 1 | 45 | J-5644791 | Solid Segment | 1 |
| 9 | 5644391 | Stud Bolt | 1 | 46 | J-5644811 | Table | 1 |
| 10 | 5644411 | Hex Nut (1/2"-12) | 1 | 48 | 5644831 | Table Pivot Shaft | 1 |
| 11 | 5644421 | Lock Washer (1/2") | 1 | 49 | J-5644841 | Trunnion | 1 |
| 12 | 5644431 | Flat Washer (1/2") | 1 | 50 | 5644851 | Hex Cap Bolt (3/8"-16 x 1") | 4 |
| 13 | 5644441 | Spring Stud Bolt | 1 | 51 | 5644861 | Flat Washer (3/8") | 8 |
| 14 | 5644451 | Flat Washer (1/2") | 1 | 52 | 5644871 | Trunnion Shoe | 1 |
| 15 | 5644461 | Bracket | 1 | 53 | 5644881 | FH Screw (1/4"-20 x 1/2") | 4 |
| 16 | 5644471 | Spring | 2 | 54 | 5644891 | Spring Pin (Ø5 x 20) | 4 |
| 17 | 5644481 | Keeper | 2 | 55 | 5644911 | Trunnion Shoe | 1 |
| 18 | 5644491 | Sheave | 2 | 56 | J-5644921 | Sector Gear | 1 |
| 19 | 5644511 | Hex Cap Bolt (1/4"-20 x 5/8") | 2 | 57 | 5644931 | Table Lock Handle | 1 |
| 20 | 5644521 | Washer (1/4") | 2 | 58 | 5644941 | Pointer | 1 |
| 21 | 5644531 | Hex Nut (1/4") | 4 | 59 | 5644951 | Round HD Screw (M4 x 0.7p x 6) | 1 |
| 22 | 5644541 | Shaft (Pin) | 1 | 60 | 5644961 | Worm Gear | 1 |
| 23 | 5644551 | Hex Cap Bolt (1/4"-20 x 1-1/2") | 1 | 61 | 5644971 | Spring Pin (Ø4 x 20) | 1 |
| 24 | 5644561 | Hex Nut (1/4") | 1 | 62 | 5644981 | Shaft | 1 |
| 25 | 5644571 | Wire Rope | 1 | 63 | 5644991 | Hex Socket Set Screw (5/16"-18 x 3/4") | 2 |
| 26 | 5644581 | Hex Cap Bolt (5/16"-18 x 1-3/4") | 1 | 64 | 5645011 | Crank Wheel | 1 |
| 26-1 | 5644581A | Hex Nut (5/16") | 2 | 65 | 5645021 | Knob | 1 |
| 27 | 5644591 | Handle | 1 | 66 | J-5645031 | Bracket | 1 |
| 28 | 5644611 | Crank Wheel | 1 | 67 | 5645041 | Protractor | 1 |
| 29 | 5644621 | Hex Socket Set Screw (5/16"-18 x 3/4") | 6 | 68 | 5645051 | Drive Rivet | 3 |
| 30 | J-5644631 | Shaft Guide | 1 | 69 | 5645061 | Hex Cap Bolt (3/16"-24 x 3/4") | 1 |
| 31 | 5644641 | Hex Cap Bolt (1/4"-20 x 1") | 4 | 70 | 5645071 | Hex Nut (3/16") | 1 |
| 32 | 5644651 | Lock Washer (1/4") | 6 | 74 | 5645121 | Flat Washer (3/8") | 4 |
| 33 | 5644661 | Shaft | 1 | 75 | 5645131 | Hex Nut (3/8") | 4 |
| 34 | 5644671 | Special Washer | 2 | 76 | 5645141 | Hex Cap Bolt | |
| 35 | 5644681 | Spring Pin (Ø4 x 20) | 1 | | | | |
| 36 | 5644691 | Worm, Pinion | 1 | | | | |
| 37 | 5644711 | Worm Gear | 1 | | | | |

Note: When ordering parts, please use your grinder serial number as a reference number.

Parts List - Upper Saw Head

| ITEM NO. | PART NO. | DESCRIPTION | QTY | ITEM NO. | PART NO. | DESCRIPTION | QTY |
|----------|-----------|--|-----|----------|------------|---|-----|
| | | (3/8"-16 x 1-1/2") | 4 | 110 | 5514789 | Hex Cap Bolt (1/4"-20 x 1") | 2 |
| 77 | 5645151 | Flat Washer (3/8") | 8 | 111 | 5514796 | Spring Pin (Ø5 x 20) | 1 |
| 78 | J-5645161 | Motor | 1 | 112 | 5514797 | Sleeve (1/2") | 1 |
| 80 | 5645181 | Electric Cord | 1 | 113 | 5514800 | Connector (MG20A) | 1 |
| 81 | 5645191 | Key (7 x 7 x 30) | 1 | 114 | 5514801 | 90° Connector (1/2") | 1 |
| 82 | 5645211 | Socket Hex Cap Screw (3/8"-16 x 7/8") | 3 | 115 | 5514802 | Connector (S-FZS21-21-1/2") | 1 |
| 83 | 5645221 | Lock Washer (3/8") | 3 | 116 | 5645500 | Spring Pin (Ø3 x 16) | 1 |
| 84 | J-5645231 | Hub | 1 | 117 | 5514808 | Spring | 2 |
| 85 | 5645241 | Drive Disc | 1 | 118 | 5645501 | Brass Pin | 2 |
| 86 | 5645251 | Clamp Washer | 1 | 119 | 5646000 | Miter Gauge Whole Assembly (item #119-1 to #119-11) | 1 |
| 87 | 5645261 | Socket Hex Cap Screw (1/4"-20 x 3/4") | 1 | | | | |
| 88 | 5645271 | Sanding Paper 36 grit | 1 | 119-1 | 5646001 | Knob | 1 |
| | 5645281 | Sanding Paper 50 grit | 1 | 119-2 | TS-2205201 | Hex Cap Screw (M5-0.8p x 20) | 3 |
| | 5645291 | Sanding Paper 80 grit | 1 | 119-3 | TS-1540031 | Hex Nut (M5) | 3 |
| | 5645311 | Sanding Paper 120 grit | 1 | 119-4 | 5646002 | Miter Gauge | 1 |
| 89 | J-5645321 | Disc Guard | 1 | 119-5 | 5646003 | Pointer | 1 |
| 90 | J-5645331 | LH Guard Arm | 1 | 119-6 | 5646004 | Roll Pin (Ø3 x 6) | 1 |
| 91 | J-5645341 | RH Guard Arm | 1 | | | | |
| 92 | 5645351 | Hex Cap Bolt (1/4"-20 x 5/8") | 4 | 119-7 | 5646005 | Stop Link | 1 |
| 93 | 5645361 | Lock Washer (1/4") | 4 | 119-8 | TS-0267021 | Socket Set Screw (1/4"-20 x 1/4") | 1 |
| 94 | J-5645371 | Bracket | 2 | 119-9 | 5646006 | Guide Bar | 1 |
| 95 | 5645381 | Hex Cap Bolt (1/4"-20 x 1") | 2 | 119-10 | 5646007 | Flat Head Screw (1/4"-20 x 5/16") | 1 |
| 96 | 5645391 | Flat Washer (1/4") | 4 | 119-11 | 5646008 | Guide Disc | 1 |
| 97 | 5645411 | Hex Cap Bolt (1/4"-20 x 1-1/2") | 2 | | | | |
| 99 | 5645431 | Hex Nut (1/4") | 2 | | | | |
| 100 | 5645441 | Hex Cap Bolt (1/4"-20 x 1") | 2 | | | | |
| 101 | J-5645451 | Magnetic Switch Arm | 1 | | | | |
| 102 | 5645461 | Hex Cap Bolt (1/4"-20 x 1") | 2 | | | | |
| 103 | 5645471 | LVP Switch | 1 | | | | |
| 104 | 5645481 | Switch Screw (3/16"-24 x 3/4") | 2 | | | | |
| 105 | 9139061 | Motor Cable (220V cut coil) | 1 | | | | |
| | 9139071 | Motor Cable (not shown) (440V cut coil) | 1 | | | | |
| 106 | J-5514646 | Dust Chute | 1 | | | | |
| 107 | 5507491 | Hose Adapter (1.5 to 3 inch) | 1 | | | | |
| 108 | 5507546 | Cooling fan and cover (not shown) | 1 | | | | |
| 109 | J-5507545 | Junction Box | 1 | | | | |

Note: When ordering parts, please use your grinder serial number as a reference number.