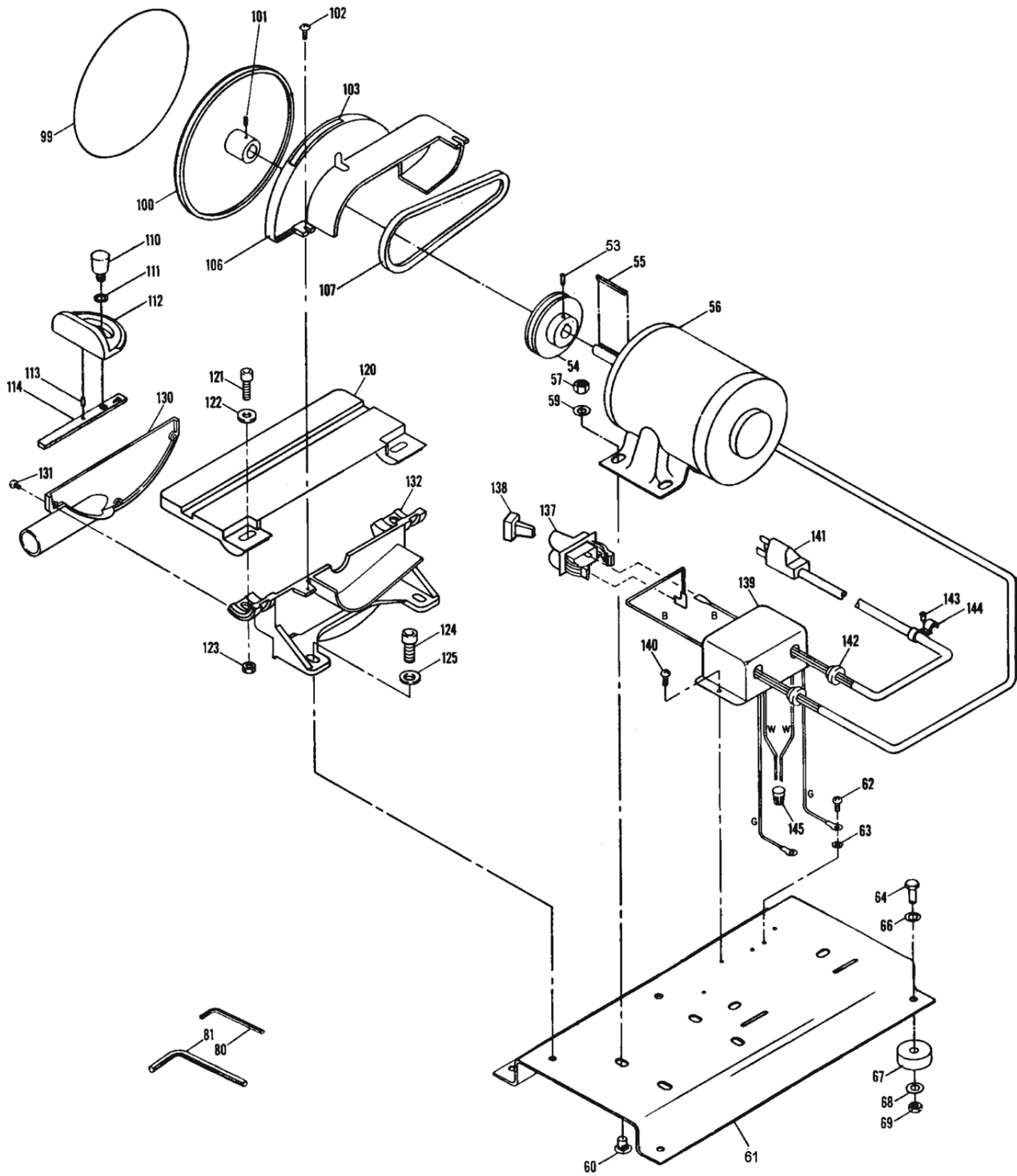


Exploded View of Sander (Belt Sander Parts)

Item No.	Part Number	Description
1	564003-1	Hex. Socket Head Screw (M10 x 40 MM)
2	564004-1	Flat Washer (12 MM)
3	564005-1	Spring
4	564006-1	Spacer
5	564007-1	Tracking Adjustment Screw
6	564008-1	Spring
7	564009-1	Support
8	564015-1	Spring Pin (M3 x 20 MM)
9	564016-1	Idler Shaft
10	564017-1	Idler Shaft
11	564018-1	Hex. Soc. Set Screw (M5 x 5 MM)
12	564019-1	Hex. Soc. Set Screw (M5 x 12 MM)
13	564025-1	Drive Pulley
14	564026-1	Retaining Plate
15	564027-1	Slot Hd. Mach. Screw (M4 x 12 MM)
16	564028-1	Lock Washer (4.1 MM)
17	564029-1	Ball Bearing
18	564033-1	Key
19	564034-1	Main Drive Shaft
20	564035-1	Ball Bearing
21	J-564036-1	Frame
22	564029-1	Ball Bearing
23	564037-1	Idler
24	564038-1	Flat Washer (6.4 MM)
25	564039-1	Upper Cover
26	564043-1	Hex. Socket Head Screw (M6 x 10MM)
27	564044-1	Hex. Socket Head Screw (M10 x 20MM)
28	564045-1	Lock Washer (10 MM)
29	564046-1	Flat Washer (10 MM)
30	564047-1	Platen
31	564048-1	Spacer
32	564029-1	Ball Bearing
33	564037-1	Idler
34	564049-1	Retaining Ring
35	564051-1	Hex. Socket Setscrew (M5 x 16 MM)
36	564052-1	Drive Wheel
37	564010-1	Sanding Belt - 50 Grit
	564011-1	Sanding Belt - 80 Grit
	564012-1	Sanding Belt - 120 Grit
	564013-1	Sanding Belt - 220 Grit
	564014-1	Sanding Belt - 320 Grit
	564030-1	Abrasive Belt, Non-woven - Fine
	564031-1	Abrasive Belt, Non-woven - Medium
	564032-1	Abrasive Belt, Non-woven - Coarse
38	564054-1	Nut
39	564055-1	Washer
40	564058-1	Bolt
41	564057-1	Knob
42	564063-1	Washer
43	564059-1	Cover
44	564068-1	Lockwasher
45	J-564062-1	Table
46	564061-1	Knob
47	564064-1	Clamp Assembly
48	564065-1	Special Washer
49	564066-1	Bracket
50	564067-1	Flat Washer (8,4 MM)
52	564069-1	Screw (M8 x 15 MM)
70	564046-1	Flat Washer (10 MM)
71	564045-1	Lock Washer (10 MM)
72	564044-1	Hex. Socket Head Screw (M10 x 20MM)
103	564056-1	Rotation Label



Exploded View of Sander (Disc Sander Parts)

Item No.	Part Number	Description
53	5640711	Hex. Socket Head Screw (M5 x 12 MM)
54	5640721	Drive Pulley
55	5640731	Key
56	5640741	Motor
57	5640751	Hex Nut (M10)
59	5640461	Flat Washer (10 MM)
60	5640761	Carriage Head Screw (M10 x 12MM)
61	J-5640771	Base
62	5640781	Pan Head Screw (M4 x 20 MM)
63	5640791	External Tooth Washer (4 MM)
64	5640811	Hex. Head Screw (M8 x 20 MM)
66	5640671	Flat Washer (8.4 MM)
67	5640821	Rubber Foot
68	5640671	Flat Washer (8.4 MM)
69	5640831	Hex. Nut (M 8)
80	5640841	Allen Wrench (2.5 MM)
81	5628791	Allen Wrench (8 MM)
99	5640201	Sanding Disc - 50 Grit
	5640211	Sanding Disc - 80 Grit
	5640221	Sanding Disc - 120 Grit
100	5640871	Disc Plate
101	5640181	Soc. Hd. Mach. Screw (M5 x 5 MM)
102	5640881	Screw
103	5640561	Rotation Label
106	5640921	pulley cover - belt/disc
107	5640931	V-Belt
- - -	5640941	Miter Gauge Assembly
110	5640961	• Hand Knob (1/4-Inch)
111	5640971	• Flat Washer (3/16-Inch)
112	5640981	• Miter Gauge Body
113	5640991	• Spring Pin (M4 x 10 MM)
114	5641011	• Guide Bar
120	J-5641021	Table
121	5632851	Cap Screw
122	5641041	Washer
123	5641051	Nut
124	5641241	Cap Screw
125	5640461	Washer
130	5641121	Side Guard
131	5641131	Pan Hd. Screw (M4 x 6 MM)
132	5641141	Support
137	5641161	Switch
138	5641171	Switch Key
139	5641181	Switch Cover
140	5640781	Pan Head Screw (M4 x 12 MM)
141	5641191	Cord
142	5641211	Heyco Bushing (5/8-Inch)
143	5640781	Pan Head Screw (M4 x 12 MM)
144	5641221	Cable Clamp
145	5641231	Connector