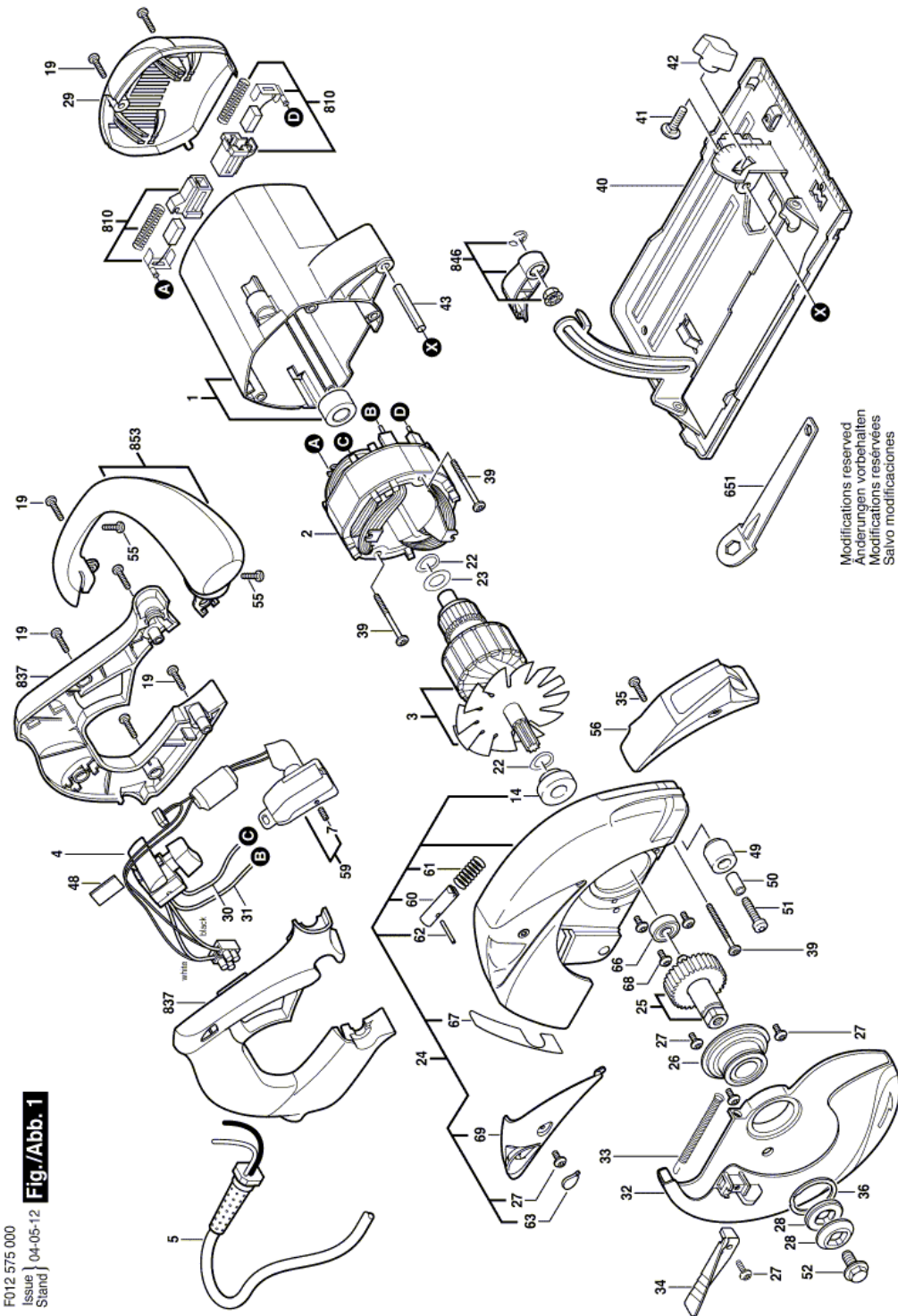


Circular hand saw - F 012 575 000 - 5750

Item	Part Number	Description	Illustration	Price	Quantity	Price Group
1	2 610 912 983	Housing	1	-,-	1	23
2	2 610 341 367	Field 120V	1	-,-	1	35
3	2 610 341 306	Armature 120V	1	-,-	1	40
4	2 610 917 325	Switch	1	-,-	1	24
5	2 610 915 148	Power supply cord	1	-,-	1	25
7	2 918 150 120	Set screw	1	-,-	1	10
14	2 610 356 680	Bearing Sleeve	1	-,-	1	19
19	1 619 P01 505	Screw	1	-,-	8	10
22	2 610 313 808	Plain Washer	1	-,-	2	12
23	2 610 341 465	Washer	1	-,-	1	12
24	2 610 919 686	Guard Plate	1	-,-	1	-
25	2 610 903 192	Gear Shaft	1	-,-	1	28
26	1 619 X01 554	Bearing Plate	1	-,-	1	24
27	1 619 X01 786	Contact Screw	1	-,-	5	10
28	2 610 341 361	Supporting Disc	1	-,-	2	14
29	2 610 913 232	Motor Housing	1	-,-	1	14
30	2 610 341 377	Connecting Cable 385 MM	1	-,-	1	13
31	2 610 916 885	Connecting Cable	1	-,-	1	10
32	2 610 916 428	Guard Plate	1	-,-	1	-
33	2 610 914 057	Extension Spring	1	-,-	1	12
34	2 610 913 230	Lever	1	-,-	1	-
35	2 610 328 924	Screw	1	-,-	2	14
36	2 610 341 359	Spring retaining ring	1	-,-	1	12
39	2 610 347 103	Screw	1	-,-	6	12
40	1 619 X01 143	Base Plate	1	-,-	1	-
41	2 610 017 262	Round-Head Bolt	1	-,-	1	12
42	2 610 917 567	Knob	1	-,-	1	20
43	2 610 914 058	Roller Pin	1	-,-	1	11
48	2 610 347 892	Spacer	1	-,-	1	15
49	2 610 341 394	End stop	1	-,-	1	12
50	2 610 341 366	Spacer	1	-,-	1	14
51	2 610 347 100	Screw	1	-,-	1	12
52	1 619 X00 935	Hex Screw	1	-,-	1	10

Item	Part Number	Description	Illustration	Price	Quantity	Price Group
55	1 619 X00 504	Screw	1	-,-	2	10
56	2 610 919 689	Cover	1	-,-	1	23
59	2 610 924 935	Laser	1	-,-	1	34
60	2 610 916 860	Locking Pin	1	-,-	1	11
61	2 610 350 667	Spring	1	-,-	1	12
62	2 610 020 656	Slotted Spring Pin	1	-,-	1	12
63	2 610 923 192	Dust Cap	1	-,-	1	-
66	1 619 P01 511	Ball Bearing	1	-,-	1	19
67	2 610 913 300	Label	1	-,-	1	-
68	1 619 X01 786	Contact Screw	1	-,-	3	10
69	2 610 922 549	Dust Chamber	1	-,-	1	-
651	2 610 968 670	Box Wrench	1	-,-	1	-
810	2 610 993 156	Carbon-Brush Set	1	-,-	1	21
837	2 610 914 193	Set Of Handles	1	-,-	1	-
846	2 610 921 181	Lever	1	-,-	1	-
853	2 610 917 578	Handle	1	-,-	1	-

Illustration - Type E



Information subject to change without further notice.